

bizhub 184 / bizhub 164 INSTALLATION MANUAL

KONICA MINOLTA
BUSINESS TECHNOLOGIES, INC.

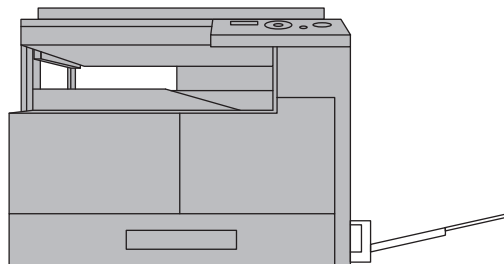
Applied Machine: bizhub 184 / bizhub 164

I. Outline of Installation Procedures for bizhub 184/bizhub 164

Follow the notes below to install the printer and the multi bypass tray.

Note:

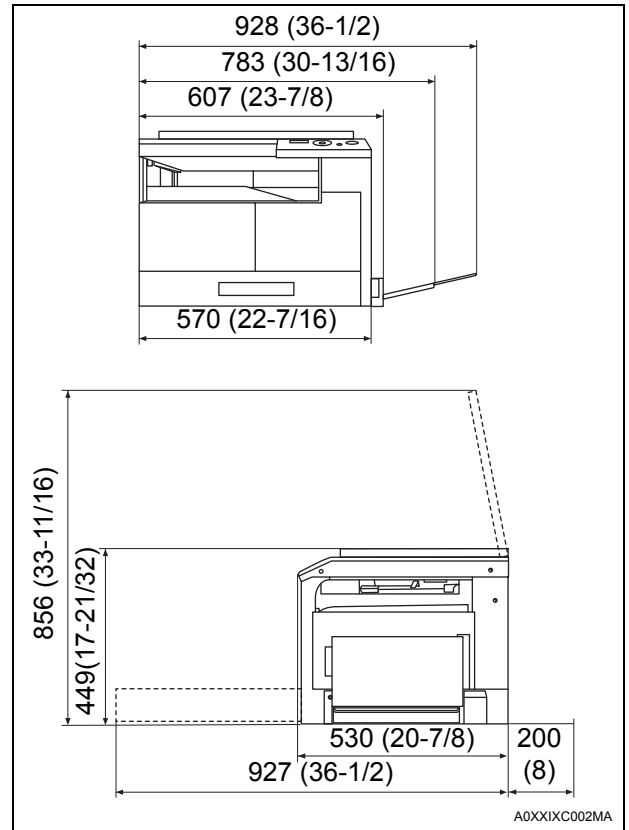
- For the detailed installation procedures for the multi bypass tray, see the Installation Manual, and perform the procedures correctly.
- Once the power switch is turned on, do not turn it off until the installation has been completed.
- When transporting or moving the printer, assign adequate number of persons (the printer mass: 23.5 kg/52 lb).
- This manual provides the illustrations of the printer and the accessory parts that may be slightly different in shape from yours. In that case, instead of the illustrations, use the appearance of yours to follow the installation procedure. This does not cause any significant change or problem with the procedure.



A0XXIXC001MA

II. Installation Space (unit: mm (inch))

bizhub 164 + MB-503



III. Pre-installation Check Items

1. Install the printer at a horizontal and stable place.
2. Be sure to use a power source of the voltage and frequency indicated in the product specifications. Ensure that the current carrying capacity of the power outlet is at least equal to the current listed in the product specifications.
3. Power the printer directly from a dedicated power outlet. (Do not use an extension cord.)
4. Do not plug or unplug the power cord with wet or dirty hands, otherwise you may get an electric shock.
5. Avoid a hot and humid environment, or a place exposed to direct sunlight.
6. Avoid a dusty location, or a place near volatile and flammable substances.
7. Avoid a poorly ventilated place.

IV. Accessory Parts

No.	Name	Q'ty
1.	User's Guide*	1 set
2.	Installation Manual (this manual)	1
3.	Toner bottle*	1
4.	Starter	1
5.	Power cord	1
6.	Power cord instruction*	1
7.	CD-ROM*	1 set

* Varies depending on the applicable marketing area.

WARNING



After unpacking, be sure to get rid of the packaging materials and keep them out of the reach of children.

Putting your head in the wrapper involves danger of suffocation.

V. Unpacking the Printer

1. Unpack the packaging box, and remove cushioning materials and plastic bags from the box.
2. While keeping the printer level, take out the printer from the box.

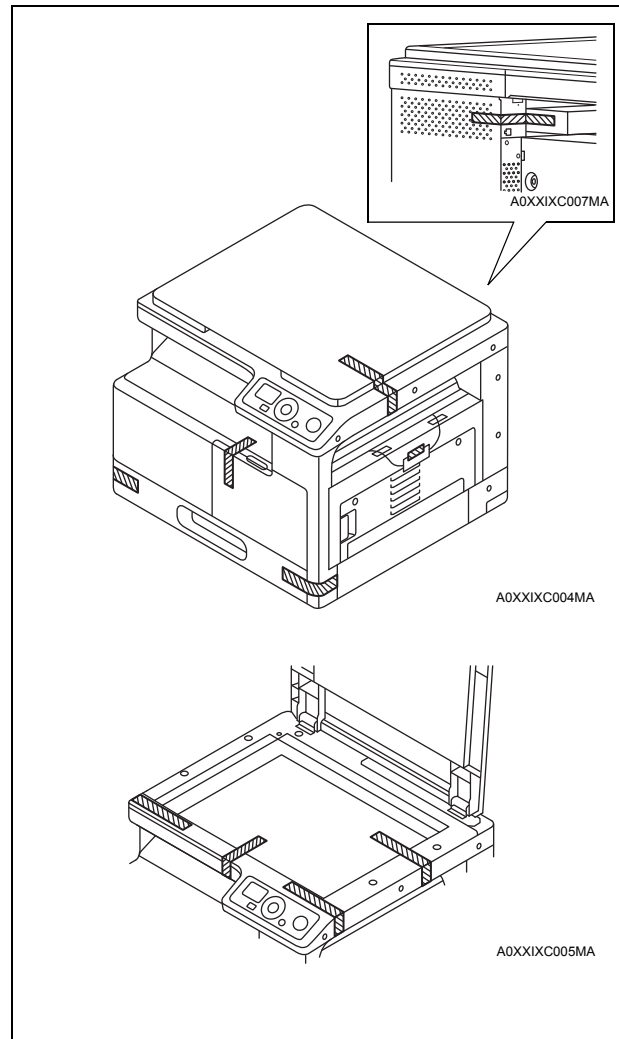
Note:

Printer mass: 23.5 kg/52 lb

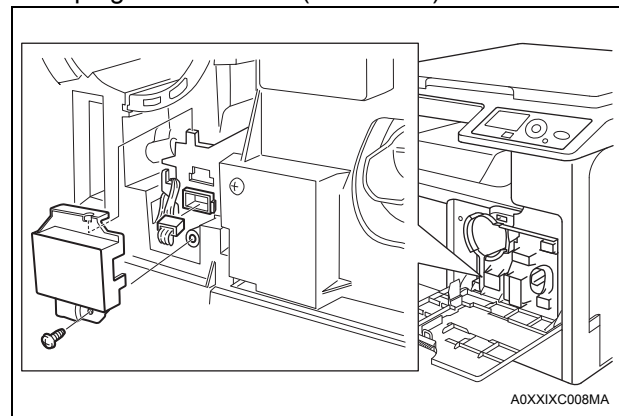
When transporting or moving the printer, assign adequate number of persons.

VI. Removing Protective Tape, Packaging Materials and Imaging Unit

1. Remove pieces of protective tape and packaging materials.



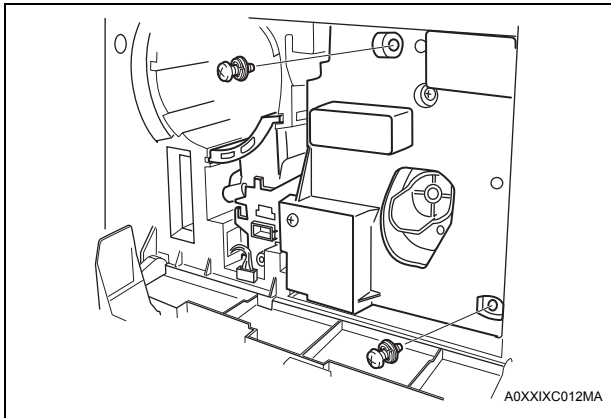
2. Open the right and front doors.
3. Remove the cover shown in the illustration and unplug the connector (one screw).



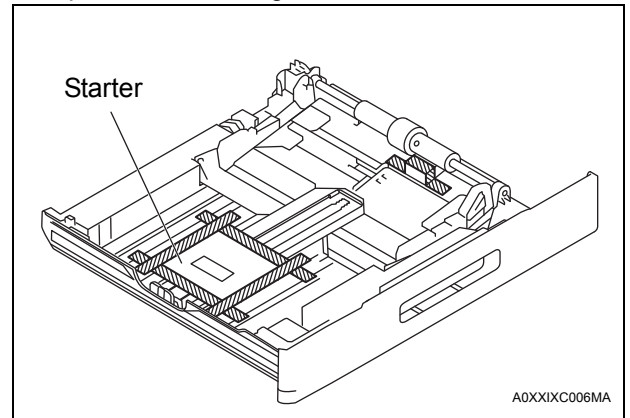
4. Unscrew the screws shown in the illustration to remove the imaging unit (two screws).

Note:

- Do not touch or scratch the PC drum.
- Cover the imaging unit, which has been removed, with a protective cloth or similar material.



9. Slide out the drawer and remove the protective tape and cushioning material.

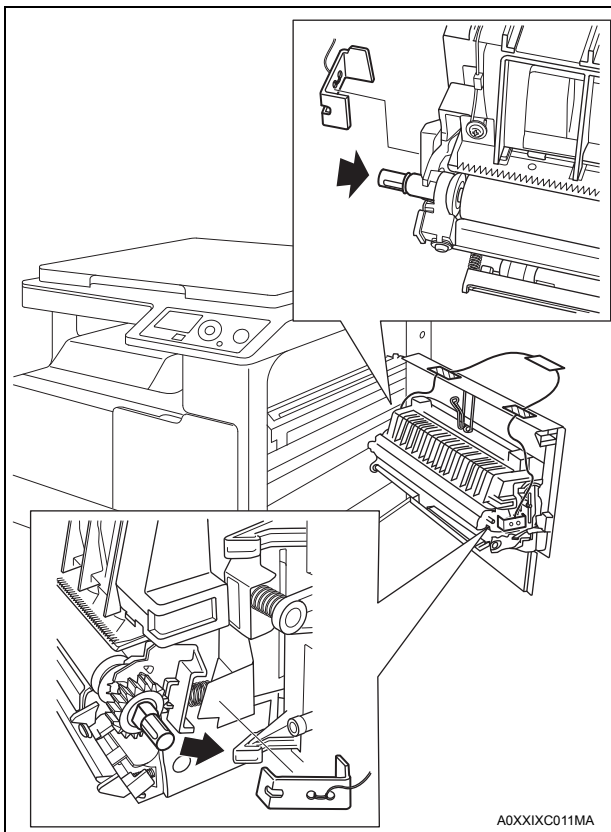


10. Slide the drawer back in.

5. Close the front door.

6. Remove the protective tape.

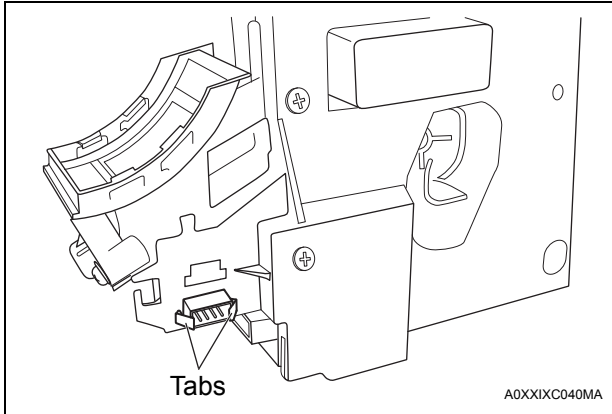
7. Push the shafts in the direction of the arrows to remove the fixing brackets that fix the transfer roller.



8. Close the right door.

VII. Loading the Starter

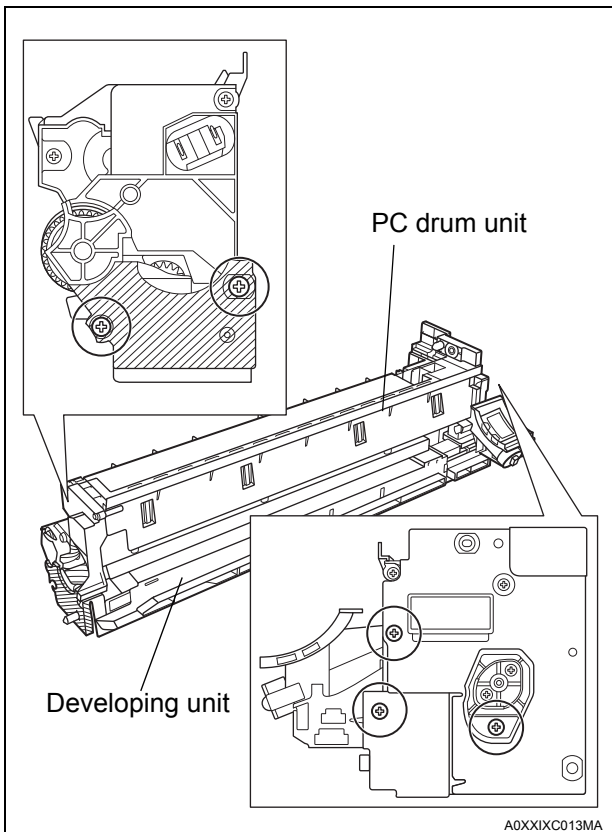
1. While pressing the connector tabs, push out the connector from the imaging unit.



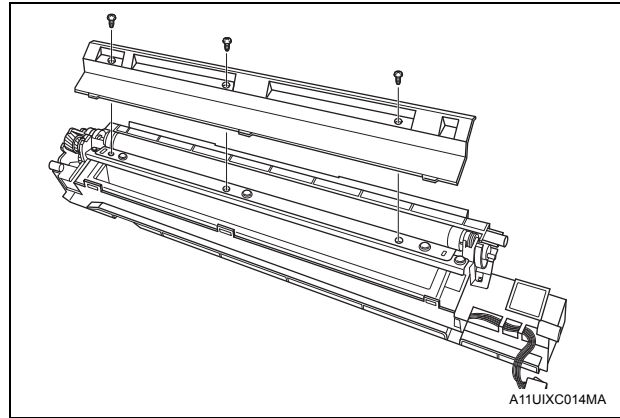
2. Unscrew the screws that secure the PC drum unit, and then take out the PC drum unit by slightly opening the lower part (the shadowed area) of the PC drum unit (five screws).

Note:

- Do not open the lower part wide, otherwise the charger may drop.
- Do not touch or scratch the PC drum.
- Cover the PC drum unit, which has been removed, with a protective cloth or similar material.



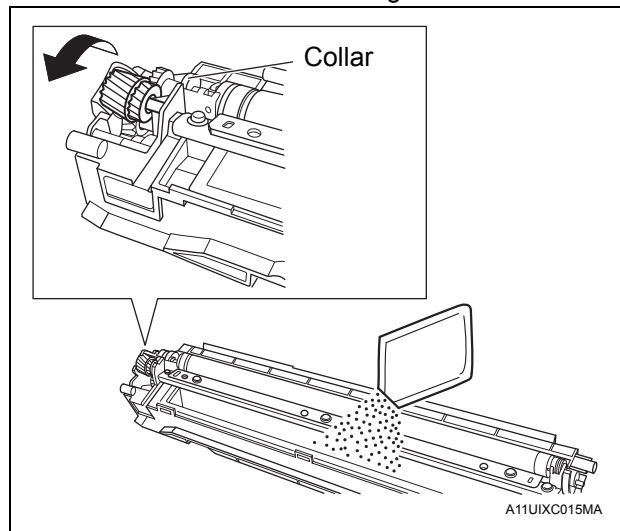
3. Remove the developing unit cover (three screws).



4. Ready a packet of the starter and cut off one corner of the aluminum packet with scissors.
5. While turning the gear in the direction of the arrow, pour the starter evenly into the developer chamber.

Note:

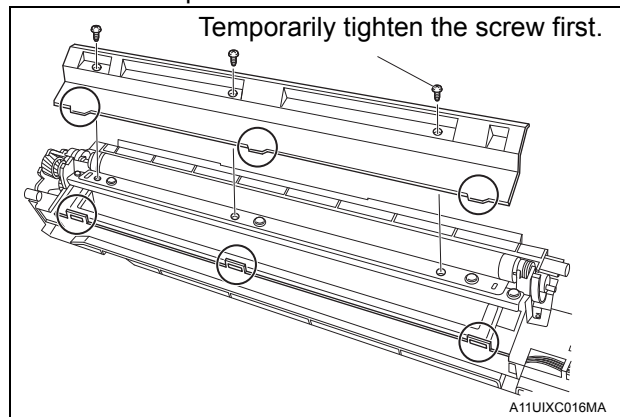
- Turn the magnet roller in the direction of its normal rotation, and not the backward.
- Be sure not to let the starter get inside the collar.



6. Reinstall the developing unit cover, ensuring that its tabs are fitted properly into the slits (three screws).

Note:

Do not tilt the developing unit or imaging unit after the starter is poured.

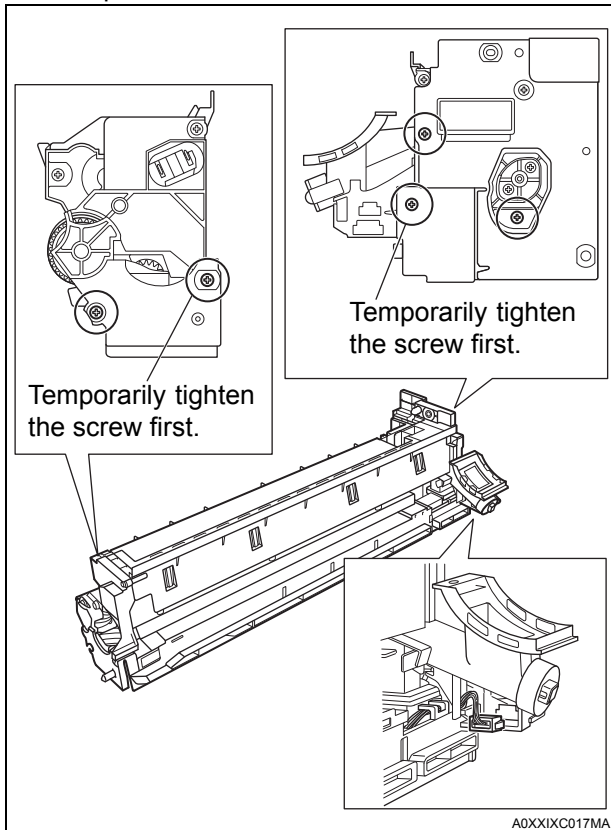


7. Install the front of the PC drum unit first, and then the rear part. Then, secure the screws (five screws).

Note:

- Do not open the lower part wide, otherwise the charger may drop.
- Clean the screw groove before securing them.
- Do not touch or scratch the PC drum.

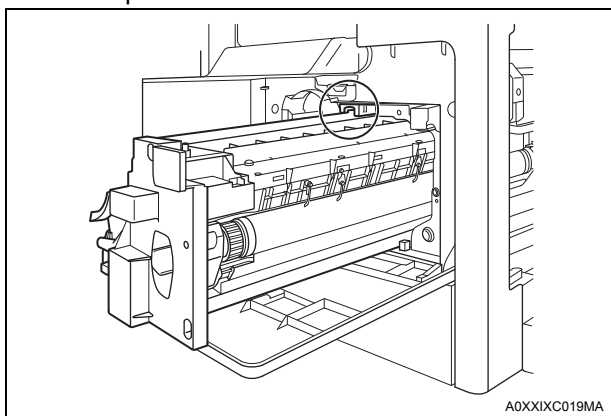
8. Attach the imaging unit connector that is removed in step 1.



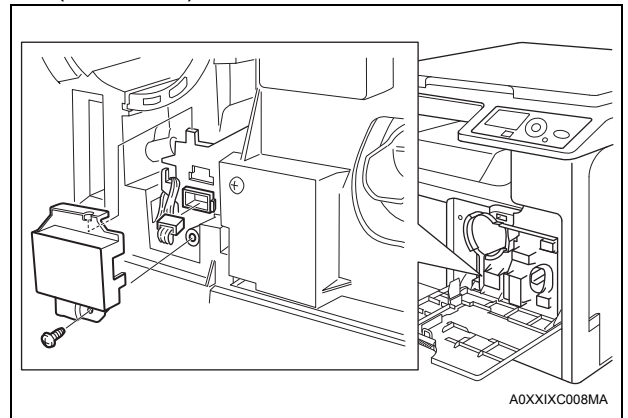
9. Slide the imaging unit into the printer, and then secure the screws (two screws).

Note:

- Make sure that the right door is open when sliding the imaging unit into the printer.
- Align the shaft of the imaging unit with the guide of the printer.



10. Plug the connector, and then attach the cover (one screw).



11. Close the right and front doors.
12. Plug the power cord to the printer, and then to a power outlet.

VIII. ATDC Adjustment

1. Turn on the power switch.
2. Enter the service mode on the display.
(Refer to the Service Manual to display the service mode screen.)
3. Press [+] or [-] key to select "FUNCTION" on the display.
4. Press the [Menu/Select] key.
5. Press the [+] or [-] key to select "TCR AUTO ADJUST."
6. Press the [Menu/Select] key to execute the ATDC adjustment.
The following message appears in two minutes.
TCR AUTO ADJUST
TCR GAIN: ***
7. Turn off the power switch.

IX. Installing the Toner Bottle

Note:

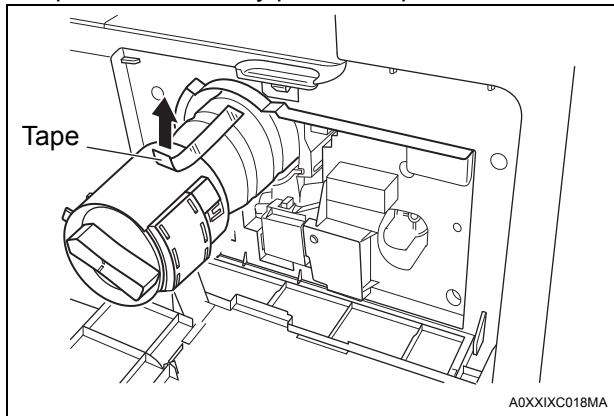
A toner bottle may not be shipped with your printer. If not, purchase one that is separately available.


1. Shake the toner bottle well about five times in the vertical direction. Then, turn it over and repeat the same procedure.

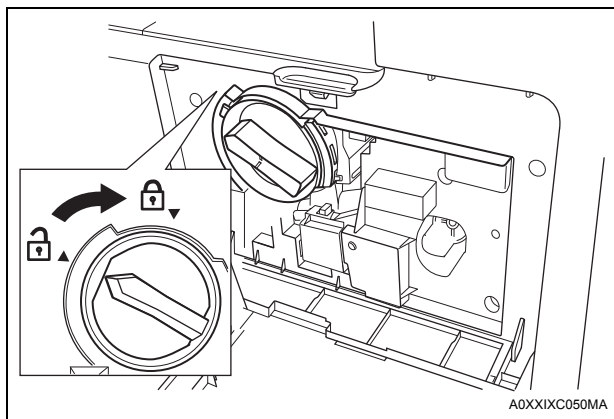
Note:

The toner can cake in the toner bottle. Be sure to perform this procedure.

2. Open the front door.
3. Insert the toner bottle halfway with the tape side up, and then slowly peel the tape off the bottle.



4. Aligning the tip of the bottle tab with the  ▼ mark, insert the toner bottle all the way in.
5. Check that the toner bottle is all the way in, and then turn the toner bottle in the direction of the arrow to lock it.



6. Close the front door.