

KONICA MINOLTA

PARTS GUIDE MANUAL

MARCH 2010

bizhub 164
bizhub 184/7718
A0XX

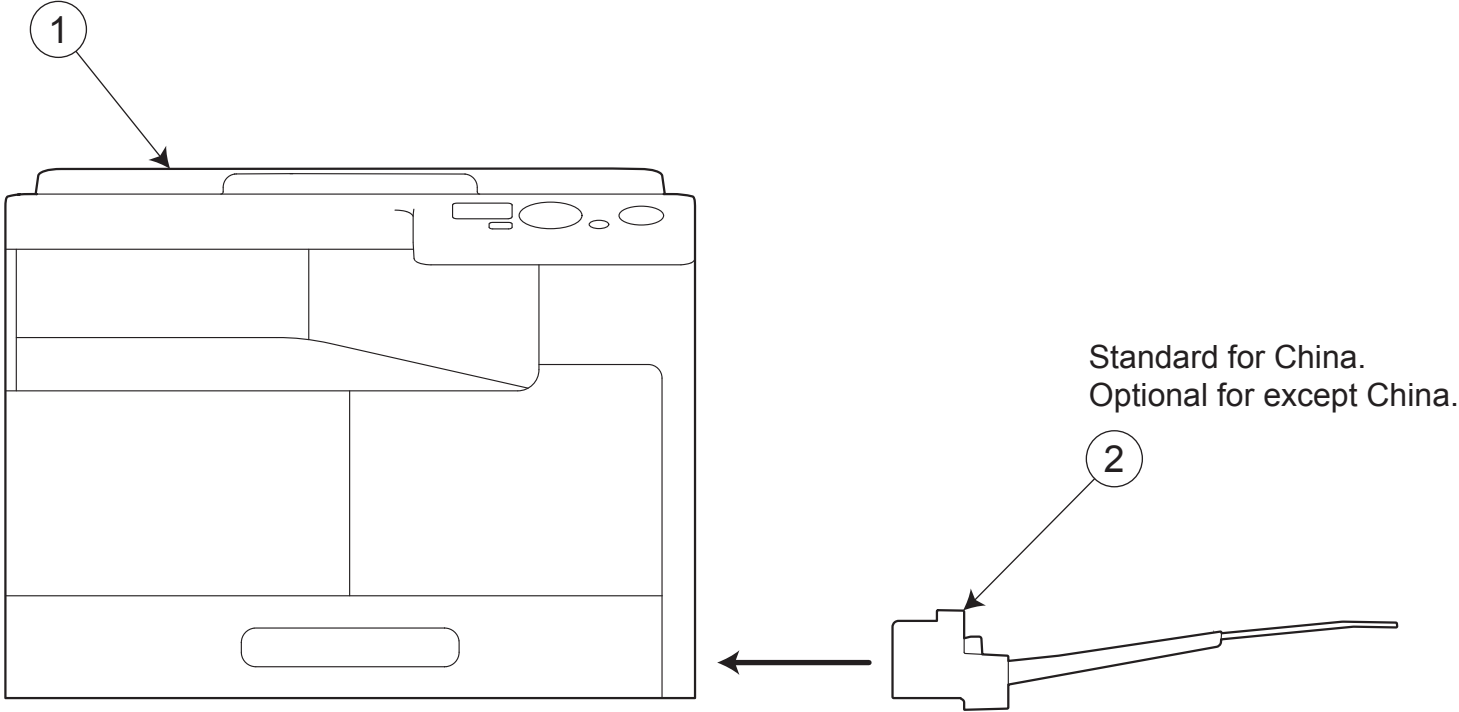
INFORMATION FOR PARTS GUIDE MANUAL

To find correct Parts No., refer to the "HOW TO MAKE THE BEST USE OF THIS MANUAL" in the following page.

HOW TO MAKE THE BEST USE OF THIS MANUAL

- 1 When you order, please check the proper figures beforehand that are on Our Parts Guide Manual, and order with the appropriate figures.
- 2 For screws, Nuts, Washers, retaining rings and Pins which are used in this model, one letter is shown on the Standard parts column of Parts list and exploded diagrams.
- 3 In order to maintain safety of the product, some specific parts composed of this product are set up as "essential safety parts".
- 4 The assigned parts number for the "essential safety parts" is indicated as "SP00-****".
When replacing these parts, follow precautions for disassembling and installing which are listed in the Service Manual.
Do not use any parts that are not set up as
- 5 ♣ means that there are exclusive parts for each destination.
Please check the appropriate destination when you order.
- 6 Revision Mark
Marked as ▲ on the illustration shows that the revision has been made.
- 7 All rights reserved. (any reprints or quotations are prohibited.)
Use of this parts guide manual should be strictly supervised to avoid disclosure of confidential information.

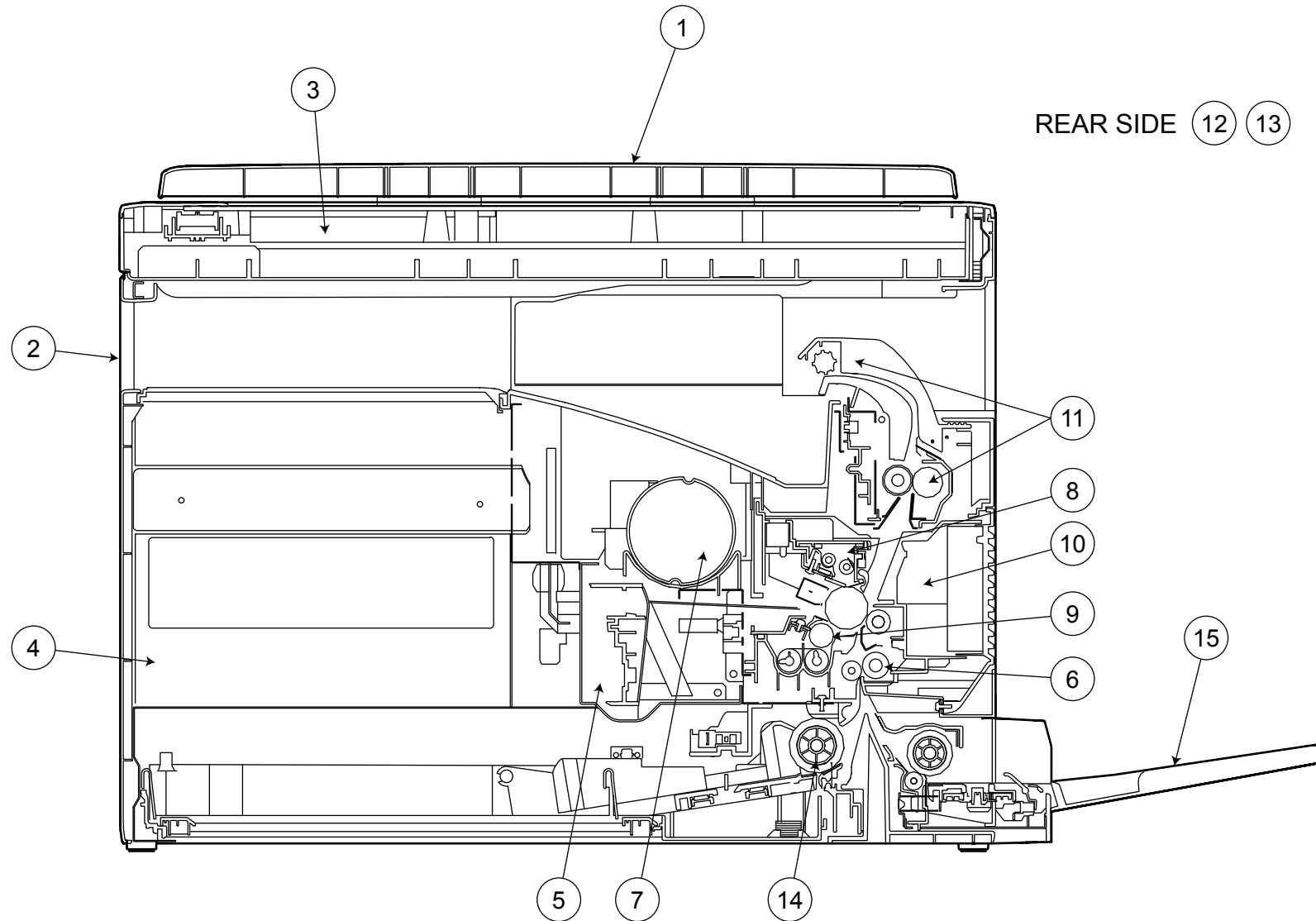
SYSTEM OUTLINE



GENERAL CONTENTS

No.	Description	Model
1	DIGITAL MFP B/W	bizhub 164/bizhub 184/bizhub 7718
2	PAPER FEEDER	MB-503

DIAGRAMS OF MAIN PARTS SECTION



CONTENTS

No.	DESCRIPTION	PAGE No.
1	ORIGINAL COVER	P1
2	EXTERNAL PARTS	P2
3	IR SECTION	P3 P4
4	FRAME SECTION	P5
5	PRINT HEAD SECTION	P6
6	PAPER TAKE-UP SECTION	P7
7	HOPPER SECTION	P8
8	CHARGE SECTION	P9
9	DEVELOPING SECTION	P10
10	PAPER TRANSPORT SECTION	P11
11	FUSING & PAPER EXIT SECTION	P12
12	DRIVE SECTION	P13
13	ELECTRICAL COMPONENTS	P14
14	CASSETTE SECTION	P15
15	MANUAL PAPER FEED SECTION	P16
16	WIRING ACCESSORIES AND JIGS	P17
17	ACCESSORY PARTS	P18

INDEX

Parts No.	Page No.
0910 5507 12	9-4
1164 3004 03	15-17
1164 3027 01	7-10
1164 3045 01	15-12
1164 3054 01	7-13
1164 3061 01	15-8
1164 3062 01	15-9
4002 5042 02	12-2
4021 0166 02	9-8
4021 2101 01	12-6
4021 2547 02	13-15
4021 4108 01	9-44
4021 4368 02	9-33
4021 5606 01	9-7
4021 5615 01	9-24
4021 5616 01	9-13
4021 5618 01	9-35
4021 5619 01	9-32
4025 3572 01	7-9
4030 3093 01	16-50
4030 3402 01	16-44
4030 3403 01	16-43
4030 3475 01	16-20
4030 5204 01	10-1
4034 0151 01	16-46
4034 2205 01	6-12
4034 2305 01	6-6
4034 3534 01	7-5
4036 3014 01	16-34
4037 3210 01	15-21
4037 7406 01	14-9
4038 3215 01	16-14
4038 3236 01	16-19
4038 3255 01	16-10
4038 3260 01	16-49
4038 3268 02	16-42
4038 3269 02	16-45
4038 3286 01	16-3
4038 3511 02	5-3
4038 5412 02	8-6

Parts No.	Page No.
4038 5601 00	15-20
4039 3282 01	16-15
4128 2019 01	5-8
4131 3532 02	16-16
4162 4074 01	9-11
4163 4072 01	9-39
4163 4361 04	9-9
4163 5231 02	10-10
4163 5293 01	11-3
4163 5603 02	9-27
4163 5604 03	9-38
4163 5605 03	9-12
4163 5607 02	9-5
4163 5609 01	9-25
4163 5611 01	9-26
4163 5614 01	9-29
4163 5617 01	9-36
4163 5625 01	9-31
4163 5639 01	9-14
4686 3304 01	5-9
4687 3281 01	16-40
9335 1300 61	7-11
9335 1300 61	16-7
9455 3078 01	11-20
9J03 M100 00	11-2
9J06 M200 00	16-31
9J06 M601 00	5-4
9J06 M601 00	6-10
A00J 3070 00	6-13
A00J 9455 00	2-18
A02F 6211 01	15-19
A02F 6212 00	15-14
A02F 6232 00	15-10
A02F 6254 00	15-18
A02F 9441 00	15-15
A0DE 3713 00	10-32
A0DE 3851 00	10-20
A0ED 2407 00	8-7
A0XX 3301 00	9-30
A0XX 3303 00	9-17

Parts No.	Page No.
A0XX 3304 01	9-34
A0XX 3306 00	9-19
A0XX 3309 00	9-18
A0XX 3331 01	9-50
A0XX 3332 01	9-45
A0XX 3333 00	9-41
A0XX 3334 00	9-51
A0XX 3335 00	9-42
A0XX 3336 00	9-43
A0XX 3337 00	9-49
A0XX 3338 00	9-46
A0XX 3339 00	9-47
A0XX 3341 00	9-48
A0XX 3602 00	9-37
A0XX 3604 00	9-16
A0XX 3605 00	9-22
A0XX 3606 00	9-21
A0XX 3608 00	9-20
A0XX 3610 00	9-6
A0XX 3611 00	9-10
A0XX 3612 00	9-2
A0XX 3613 00	9-15
A0XX 3616 00	9-3
A0XX 3617 01	9-23
A0XX 3618 00	9-28
A0XX 3701 01	10-14
A0XX 3702 00	10-2
A0XX 3703 00	10-21
A0XX 3704 00	10-34
A0XX 3705 00	10-33
A0XX 3709 00	10-35
A0XX 3710 00	10-36
A0XX 3711 01	10-12
A0XX 3712 00	10-17
A0XX 3713 00	10-7
A0XX 3714 00	10-19
A0XX 3715 00	10-16
A0XX 3716 00	10-22
A0XX 3717 00	10-30
A0XX 3718 00	10-9

Parts No.	Page No.
A0XX 3720 00	10-27
A0XX 3721 00	10-25
A0XX 3722 00	10-29
A0XX 3723 00	10-26
A0XX 3724 00	10-24
A0XX 3725 00	10-28
A0XX 3730 00	10-5
A0XX 3731 00	10-3
A0XX 3734 00	10-11
A0XX 3735 00	10-13
A0XX 3736 00	10-23
A0XX 3740 00	10-4
A0XX 3741 00	10-6
A0XX 3742 00	10-31
A0XX 3745 00	10-8
A0XX 5602 00	15-4
A0XX 5947 00	16-39
A0XX PP00 00	5-10
A0XX PP01 00	14-11
A0XX PP02 00	16-27
A0XX PP03 00	14-14
A0XX PP04 00	14-7
A0XX PP05 00	12-3
A0XX PP06 00	6-1
A0XX PP07 00	12-5
A0XX PP08 00	14-2
A0XX PP09 00	7-12
A0XX PP0A 00	7-12
A0XX PP0B 00	11-18
A0XX PP0C 00	14-13
A0XX PP0C 00	14-13
A0XX PP0D 00	14-13
A0XX PP0E 00	3-18
A0XX PP0F 00	3-14
A0XX PP0G 00	4-13
A0XX PP0H 00	14-8
A0XX PP0J 00	14-4
A0XX PP0J 00	14-4
A0XX PP0K 00	14-4
A0XX PP0K 00	14-4

Parts No.	Page No.
A0XX PP0M 00	3-4
A0XX PP0N 00	13-19
A0XX PP0P 00	13-3
A0XX PP0R 00	15-23
A0XX PP0S 00	11-10
A0XX PP0T 00	11-15
A0XX PP0U 00	11-21
A0XX PP0V 00	11-19
A0XX PP0W 00	7-15
A0XX PP0X 00	7-7
A0XX PP0Y 00	11-17
A0XX PP14 00	12-4
A0XX PP15 00	12-8
A0XX PP16 00	12-7
A0XX PP17 00	6-3
A0XX PP18 00	14-5
A0XX PP19 00	16-22
A0XX PP1A 00	16-28
A0XX PP1B 00	16-38
A0XX PP1C 00	16-29
A0XX PP1D 00	16-6
A0XX PP1E 00	3-6
A0XX PP1F 00	4-14
A0XX PP1G 00	3-1
A0XX PP1H 00	2-15
A0XX PP1J 00	6-15
A0XX PP1K 00	2-1
A0XX PP1M 00	5-2
A0XX PP1N 00	16-9
A0XX PP1P 00	5-7
A0XX PP1Q 00	5-11
A0XX PP1R 00	6-8
A0XX PP1S 00	14-12
A0XX PP1T 00	16-11
A0XX PP1U 00	11-16
A0XX PP1V 00	11-5
A0XX PP1V 00	11-7
A0XX PP1W 00	16-21
A0XX PP1X 00	11-8
A0XX PP1Y 00	13-2

Parts No.	Page No.
A0XX PP20 00	13-16
A0XX PP21 00	15-3
A0XX PP22 00	15-2
A0XX PP23 00	7-2
A0XX PP24 00	16-48
A0XX PP25 00	16-51
A0XX PP26 00	16-23
A0XX PP28 00	3-15
A0XX PP29 00	3-5
A0XX PP2B 00	3-19
A0XX PP2C 00	3-20
A0XX PP2D 00	4-11
A0XX PP2E 00	4-6
A0XX PP2F 00	2-10
A0XX PP2G 00	2-6
A0XX PP2H 00	2-2
A0XX PP2J 00	2-5
A0XX PP2K 00	2-12
A0XX PP2M 00	2-12
A0XX PP2M 00	2-12
A0XX PP2N 00	2-13
A0XX PP2P 00	2-7
A0XX PP2Q 00	2-14
A0XX PP2R 00	2-4
A0XX PP2S 00	11-22
A0XX PP2S 00	11-22
A0XX PP2T 00	2-16
A0XX PP2T 00	2-16
A0XX PP2U 00	5-6
A0XX PP2V 00	6-5
A0XX PP2W 00	13-9
A0XX PP2X 00	13-12
A0XX PP2Y 00	13-18
A0XX PP30 00	13-14
A0XX PP31 00	13-10
A0XX PP32 00	13-5
A0XX PP33 00	13-11
A0XX PP34 00	13-13
A0XX PP35 00	13-8
A0XX PP36 00	13-7

Parts No.	Page No.
A0XX PP37 00	13-6
A0XX PP38 00	13-4
A0XX PP39 00	12-9
A0XX PP3A 00	15-6
A0XX PP3B 00	15-13
A0XX PP3C 00	15-11
A0XX PP3D 00	15-5
A0XX PP3E 00	15-7
A0XX PP3F 00	15-22
A0XX PP3G 00	7-14
A0XX PP3H 00	11-9
A0XX PP3J 00	11-4
A0XX PP3K 00	11-1
A0XX PP3M 00	11-6
A0XX PP3N 00	7-6
A0XX PP3P 00	7-3
A0XX PP3Q 00	8-4
A0XX PP3S 00	8-5
A0XX PP3T 00	8-3
A0XX PP3U 00	8-2
A0XX PP3V 00	8-8
A0XX PP44 00	6-2
A0XX PP45 00	16-13
A0XX PP46 00	16-53
A0XX PP47 00	5-5
A0XX PP48 00	5-1
A0XX PP49 00	16-2
A0XX PP4A 00	16-1
A0XX PP4B 00	16-37
A0XX PP4C 00	16-5
A0XX PP4D 00	16-4
A0XX PP4E 00	16-41
A0XX PP4F 00	16-36
A0XX PP4G 00	16-30
A0XX PP4H 00	16-24
A0XX PP4J 00	16-32
A0XX PP4K 00	16-26
A0XX PP4M 00	16-8
A0XX PP4N 00	1-4
A0XX PP4P 00	1-3

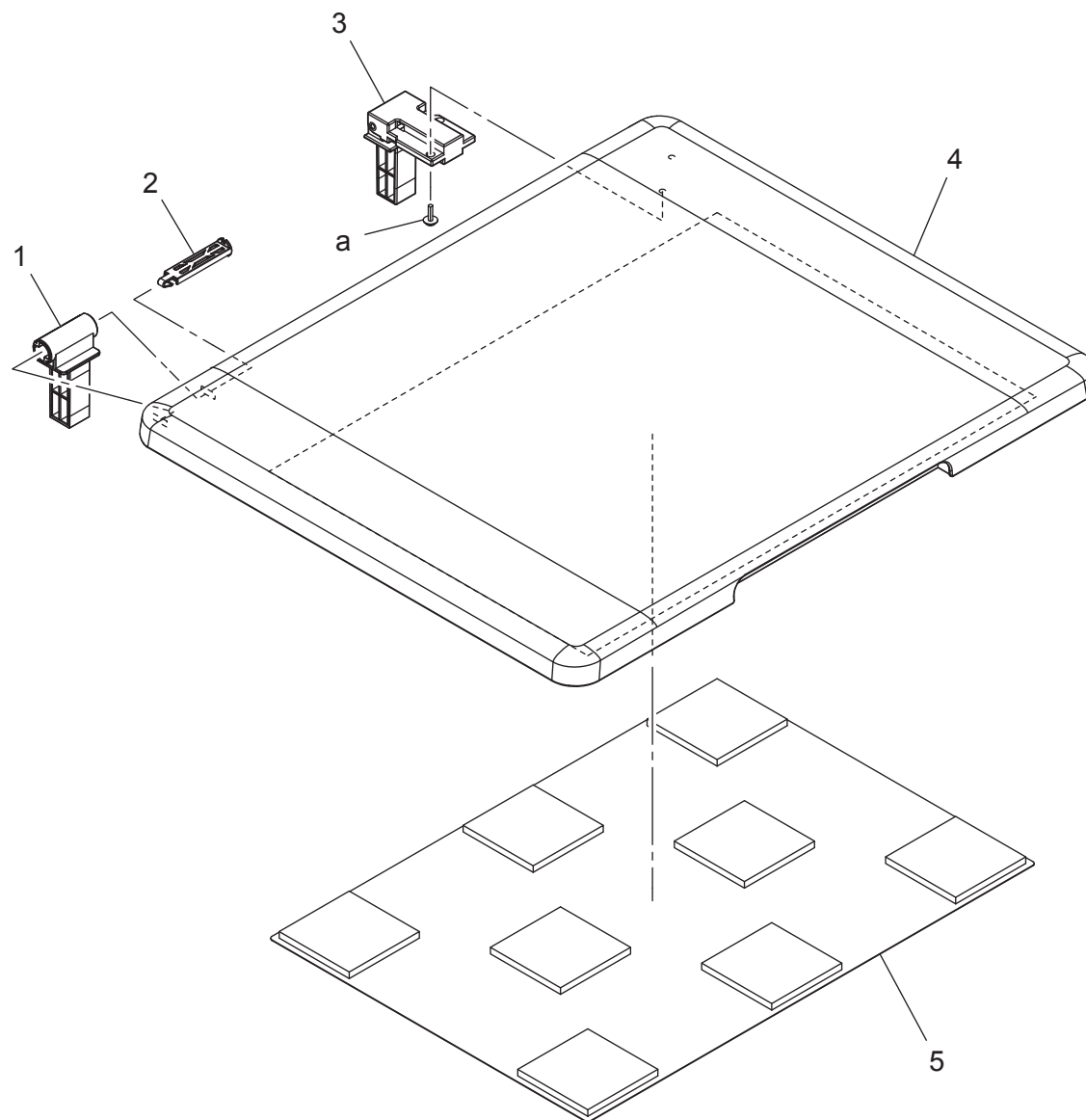
Parts No.	Page No.
A0XX PP4Q 00	1-2
A0XX PP4R 00	3-13
A0XX PP4S 00	3-17
A0XX PP4T 00	3-11
A0XX PP4U 00	2-3
A0XX PP4V 00	16-18
A0XX PP4W 00	6-7
A0XX PP4X 00	14-3
A0XX PP4Y 00	16-54
A0XX PP50 00	11-11
A0XX PP51 00	11-13
A0XX PP52 00	2-11
A0XX PP53 00	7-8
A0XX PP54 00	16-17
A0XX PP55 00	7-4
A0XX PP57 00	16-33
A0XX PP58 00	4-8
A0XX PP59 00	4-7
A0XX PP5A 00	4-10
A0XX PP5A 00	4-10
A0XX PP5B 00	4-9
A0XX PP5C 00	2-9
A0XX PP5D 00	4-5
A0XX PP5E 00	4-5
A0XX PP5F 00	4-5
A0XX PP5F 00	4-5
A0XX PP5G 00	4-10
A0XX PP5H 00	4-10
A0XX PP5J 00	2-8
A0XX PP5K 00	16-35
A0XX PP5M 00	11-12
A0XX PP5N 00	3-9
A0XX PP5P 00	1-5
A0XX PP5Q 00	1-1
A0XX PP5R 00	3-2
A0XX PP5S 00	6-4
A0XX PP5T 00	6-14
A0XX PP5U 00	3-10
A0XX PP5V 00	13-17
A0XX PP5V 00	16-25

Parts No.	Page No.
A0XX PP5W 00	13-1
A0XX PP5X 00	3-7
A0XX PP5Y 00	3-3
A0XX PP5Y 00	4-1
A0XX PP60 00	6-9
A0XX PP61 00	3-8
A0XX PP62 00	14-10
A0XX PP63 00	14-1
A0XX PP64 00	4-12
A0XX PP65 00	14-1
A0XX PP66 00	4-4
A0XX PP66 00	4-4
A0XX PP67 00	4-4
A0XX PP68 00	4-4
A0XX PP69 00	4-2
A0XX PP6A 00	7-1
A0XX PP6E 00	15-25
A0XX PP6F 00	4-3
A0XX PP6H 00	11-14
A0XX PP6J 00	15-1
A0XX PP6K 00	8-1
A0XX PP6M 00	3-16
A0XX PP6N 00	2-17
A0XX PP6P 00	2-17
A0XX PP6Q 00	2-17
A0XX PP6S 00	16-12
A0XX PP6T 00	16-47
A0XX PP6U 00	3-12
A0XX PP6V 00	6-16
A0XX PP6W 00	15-26
A0XX PP6X 00	12-1
A0XX PP6X 00	12-1
A0XX PP6Y 00	12-1
A0XX PP70 00	12-1
A0XX PP71 00	18-2
A0XX PP72 00	18-2
A0XX PP73 00	18-1
A0XX PP77 00	16-52
A0XX PP78 00	5-12
A0XX PP79 00	15-16

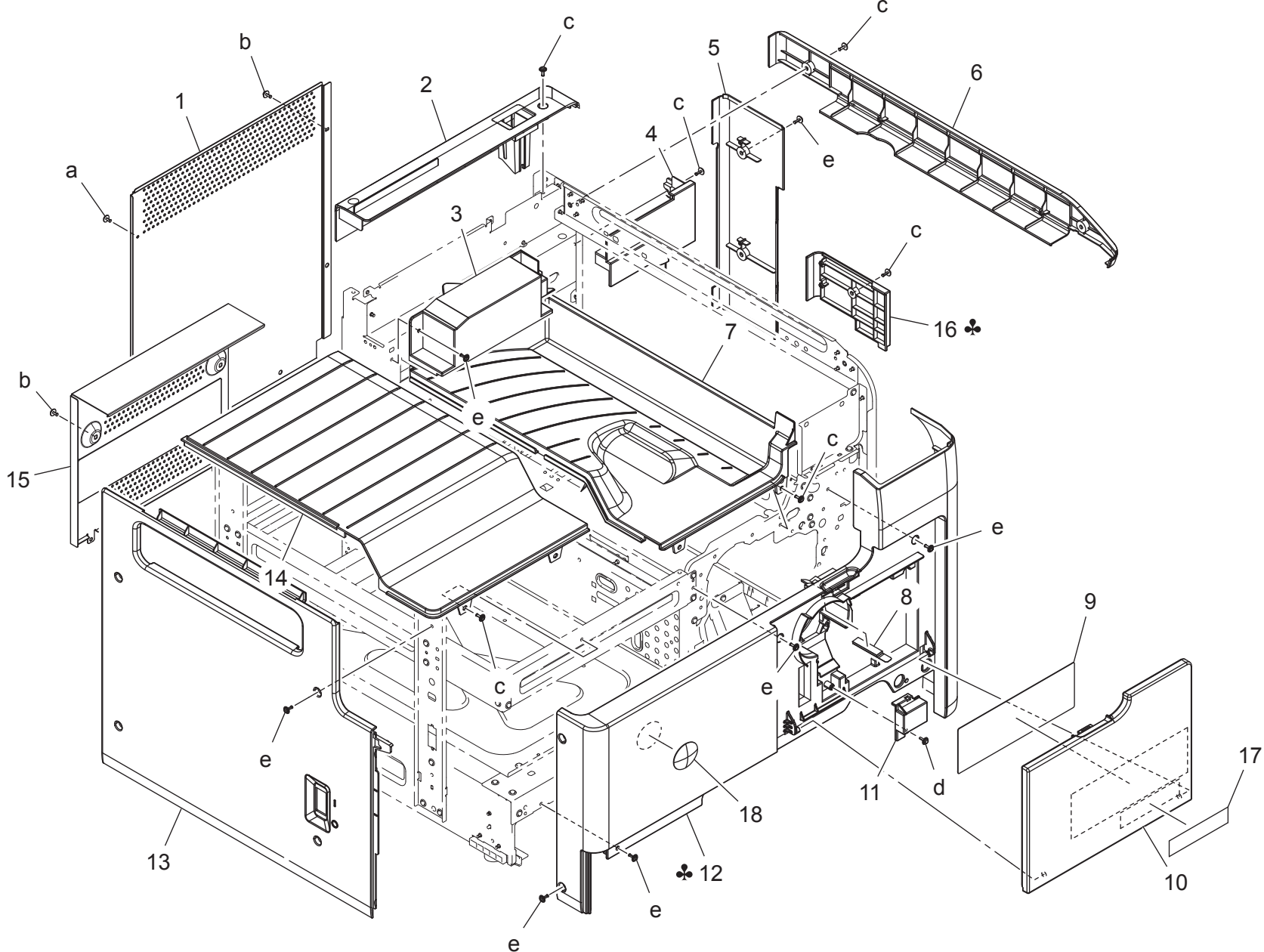
Parts No.	Page No.
A0XX PP7A 00	15-24
A1XT R700 00	6-11
A1XU M503 00	10-18
A1XU N116 00	10-15
A1XU R700 00	9-1
A1XU R701 00	9-40
V500 0100 05	17-1
V500 0100 20	17-2
V500 0100 21	17-3
V500 0100 46	17-4
V500 0200 42	17-5
V502 0100 45	14-6
V570 0100 21	17-6
V570 0100 50	17-7

ORIGINAL COVER

P 1



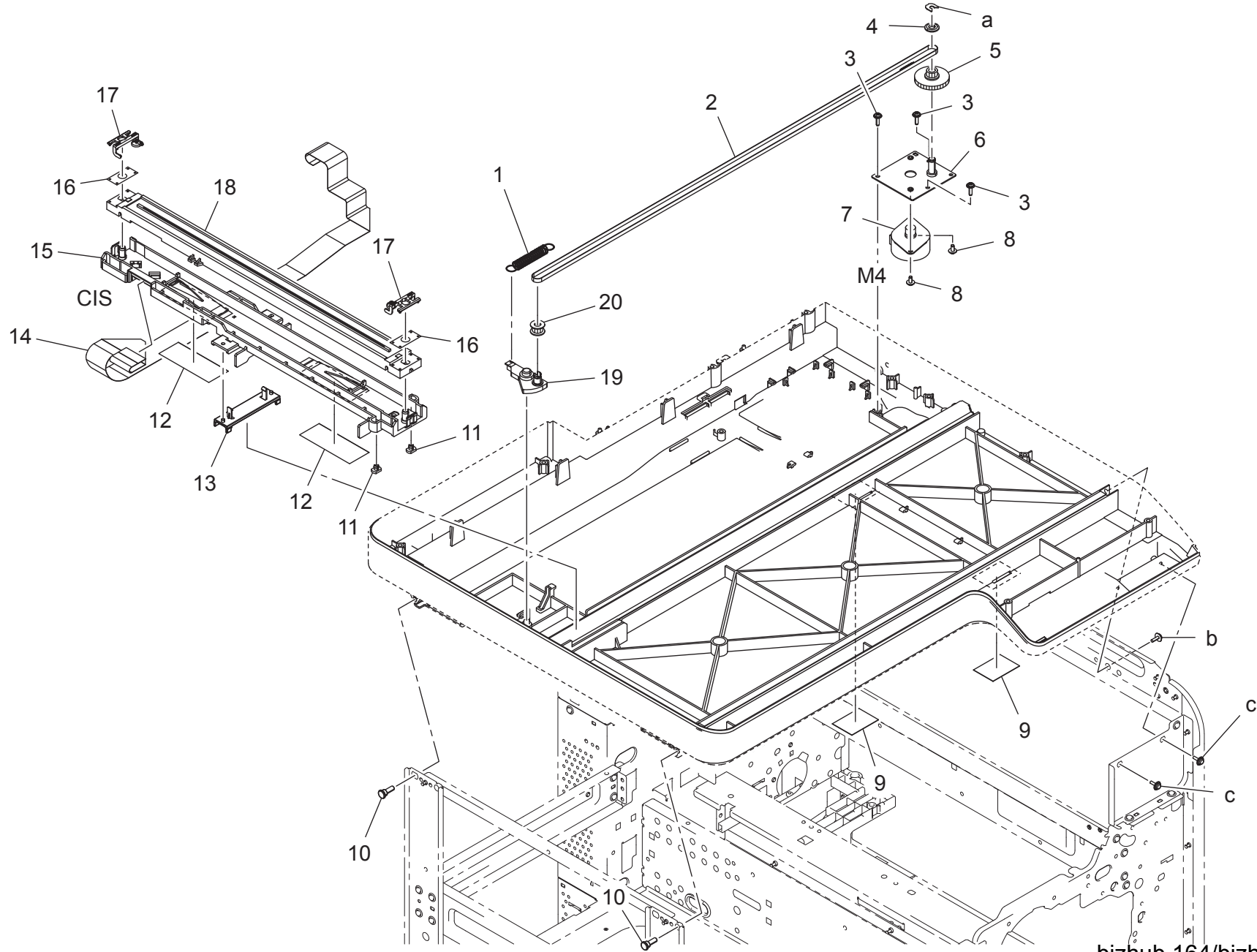
EXTERNAL PARTS



EXTERNAL PARTS

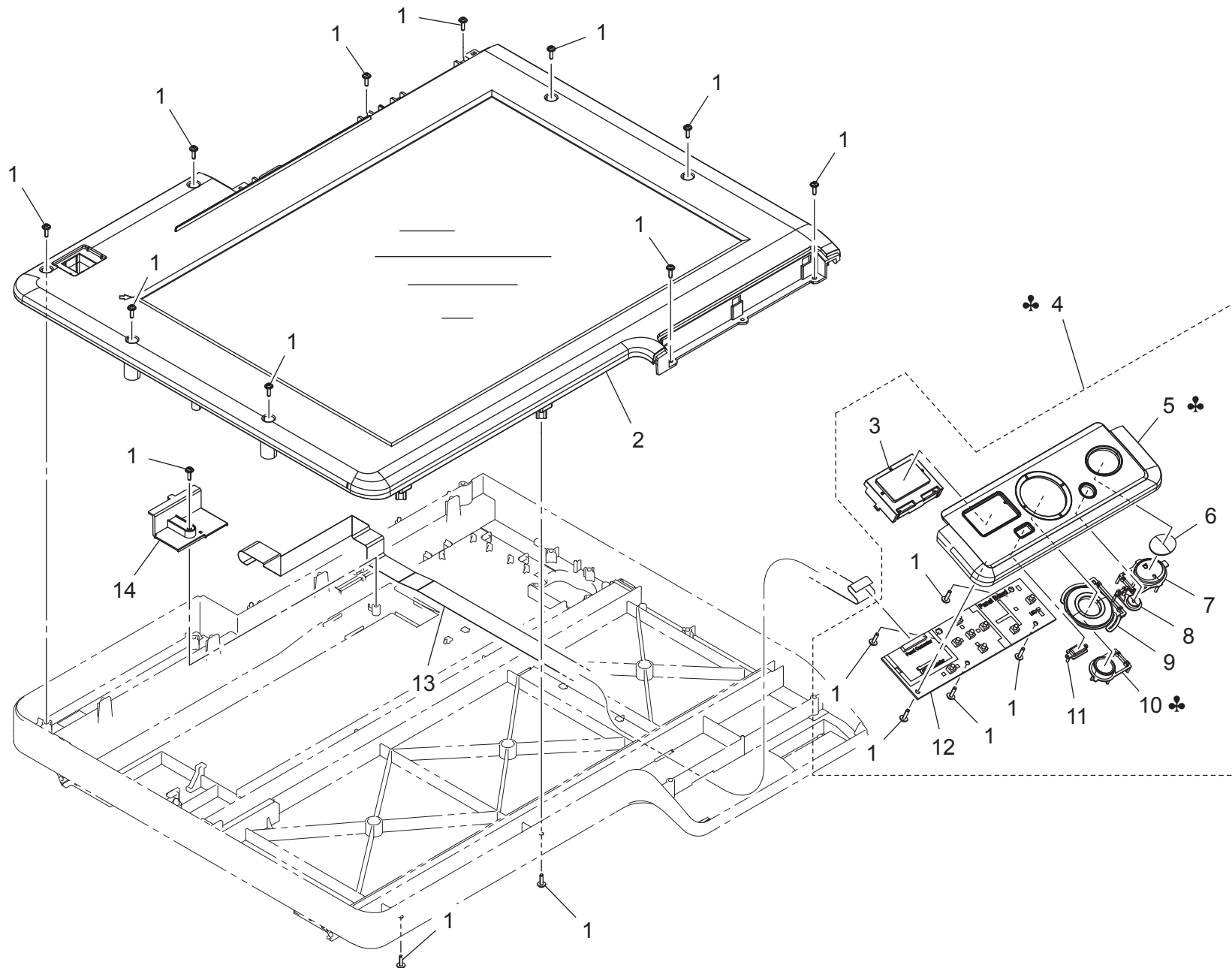
Key	Part No.	Description	Destinations	Class	QTY	Standard parts
1	A0XX PP1K 00	Rear Cover		C	1	a-V116 0308 03 b-V137 0306 03 c-V137 0308 03 d-V153 0308 03 e-V137 0308 04
2	A0XX PP2H 00	Rear Upper Cover		C	1	
3	A0XX PP4U 00	Cover		C	1	
4	A0XX PP2R 00	Cover		C	1	
5	A0XX PP2J 00	Right Rear Cover		C	1	
6	A0XX PP2G 00	Right Upper Cover		C	1	
7	A0XX PP2P 00	Right Exit Tray		C	1	
8	A0XX PP5J 00	Spacer		C	1	
9	A0XX PP5C 00	Print Cover Panel		C	1	
10	A0XX PP2F 00	Front Door		C	1	
11	A0XX PP52 00	Cover		D	1	
12	A0XX PP2M 00	Front Cover	D1,D3,E,F1,F2,G1,G2,I,K	C	1	
12	A0XX PP2M 00	Front Cover	C,H {bizhub164}	C	1	
12	A0XX PP2K 00	Front Cover	J	C	1	
13	A0XX PP2N 00	Left Cover		C	1	
14	A0XX PP2Q 00	Left Exit Tray		C	1	
15	A0XX PP1H 00	Rear Left Cover		C	1	
16	A0XX PP2T 00	Cover	D1,D3,E,F1,F2,G1,G2,I,K	C	1	
16	A0XX PP2T 00	Cover	C,H {bizhub164}	C	1	
17	A0XX PP6P 00	Label bizhub164	{bizhub164}	C	1	
17	A0XX PP6N 00	Label bizhub184	{bizhub184}	C	1	
17	A0XX PP6Q 00	Label bizhub7718	{bizhub7718}	C	1	
18	A00J 9455 00	Logo Mark		C	1	

IR SECTION



Key	Part No.	Description	Destinations	Class	QTY	Standard parts
1	A0XX PP1G 00	Tension Spring		C	1	a-V218 0600 86 b-V153 0410 03 c-V153 0308 03
2	A0XX PP5R 00	Timing Belt		C	1	
3	A0XX PP5Y 00	Screw		C	3	
4	A0XX PP0M 00	Collar		C	1	
5	A0XX PP29 00	Gear		C	1	
6	A0XX PP1E 00	Bracket Assy		D	1	
7	A0XX PP5X 00	Motor		B	1	
8	A0XX PP61 00	Screw		C	2	
9	A0XX PP5N 00	Seal		C	2	
10	A0XX PP5U 00	Shoulder Screw		C	2	
11	A0XX PP4T 00	Slider		C	2	
12	A0XX PP6U 00	Seal		C	2	
13	A0XX PP4R 00	Slider		C	1	
14	A0XX PP0F 00	FFC CIS		C	1	
15	A0XX PP28 00	Frame		D	1	
16	A0XX PP6M 00	PAD		C	2	
17	A0XX PP4S 00	Slider		C	2	
18	A0XX PP0E 00	CIS		C	1	
19	A0XX PP2B 00	Holder		C	1	
20	A0XX PP2C 00	Pulley		C	1	

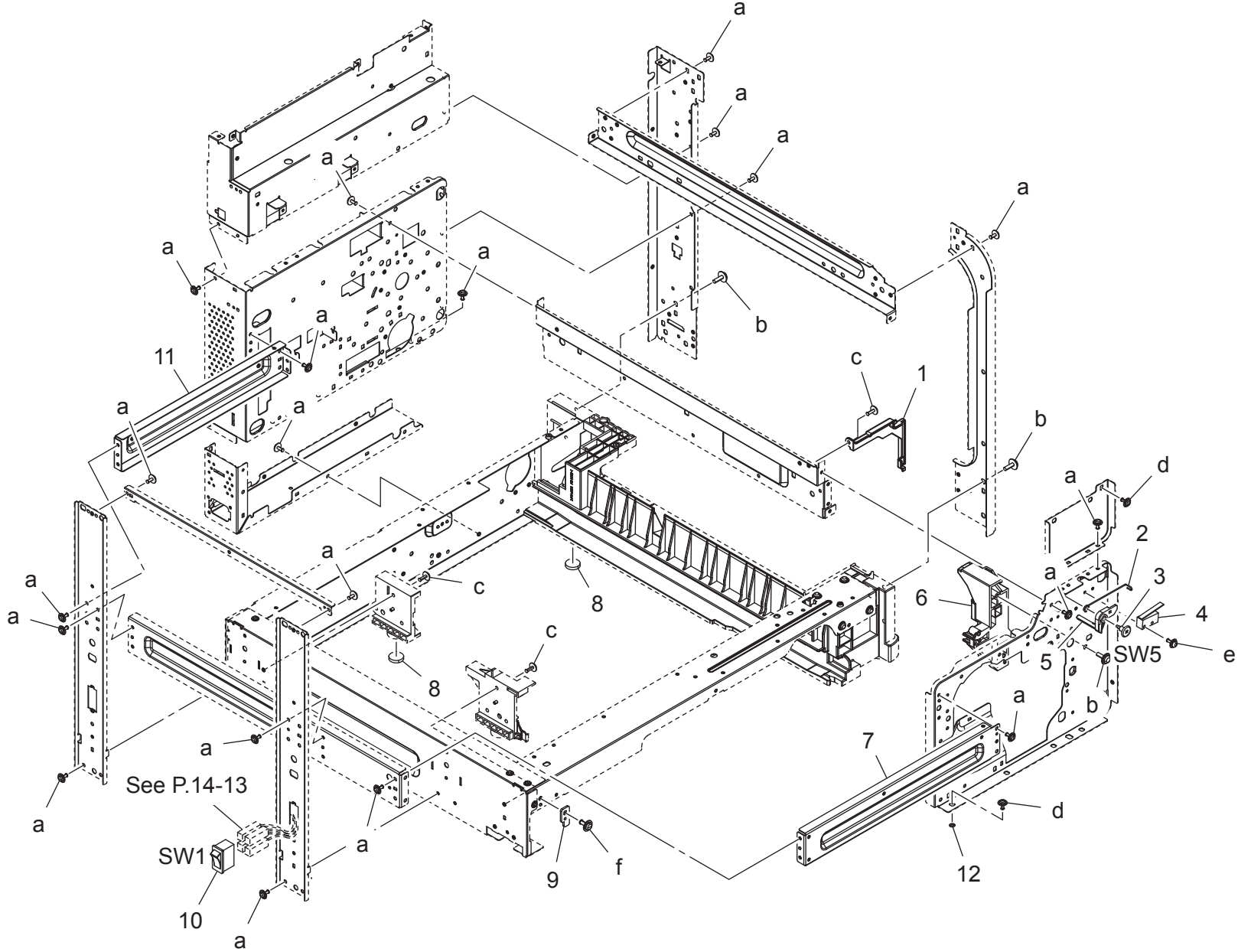
IR SECTION



IR SECTION

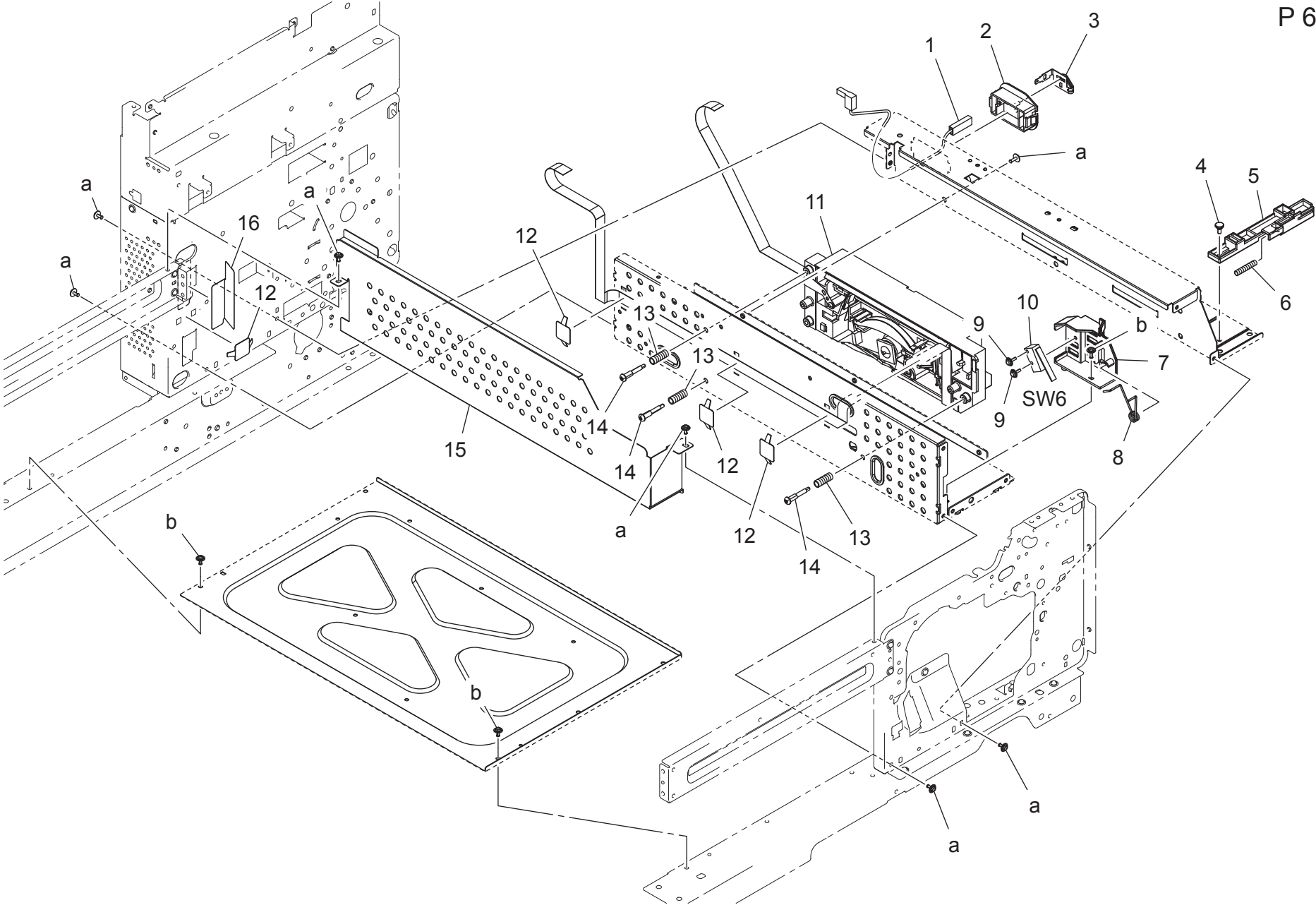
Key	Part No.	Description	Destinations	Class	QTY	Standard parts
1	A0XX PP5Y 00	Screw		C	18	
2	A0XX PP69 00	IR Cover Assy		C	1	
3	A0XX PP6F 00	LCD Assy		C	1	
4	A0XX PP66 00	Control Panel Assy (English)	D1,D3,E,F1,F2,G1,G2,I,K	I	1	
4	A0XX PP66 00	Control Panel Assy (English)	C {bizhub164}	I	1	
4	A0XX PP67 00	Control Panel (Traditional)	H {bizhub164}	I	1	
4	A0XX PP68 00	Control Panel Assy (Simplified)	J	I	1	
5	A0XX PP5F 00	Control Panel (English)	D1,D3,E,F1,F2,G1,G2,I,K	C	1	
5	A0XX PP5F 00	Control Panel (English)	C {bizhub164}	C	1	
5	A0XX PP5D 00	Control Panel (Traditional)	H {bizhub164}	C	1	
5	A0XX PP5E 00	Control Panel (Simplified)	J	C	1	
6	A0XX PP2E 00	Lens Start Key		C	1	
7	A0XX PP59 00	Print Start Key		B	1	
8	A0XX PP58 00	Print Stop Key		C	1	
9	A0XX PP5B 00	Print Arrow Key		C	1	
10	A0XX PP5A 00	Print Select Key (ENGLISH)	D1,D3,E,F1,F2,G1,G2,I,K	C	1	
10	A0XX PP5A 00	Print Select Key (ENGLISH)	C {bizhub164}	C	1	
10	A0XX PP5G 00	Print Select Key (Traditional)	H {bizhub164}	C	1	
10	A0XX PP5H 00	Print Select Key (Simplified)	J	C	1	
11	A0XX PP2D 00	Interrupt Key		C	1	
12	A0XX PP64 00	PW Board Assy		I	1	
13	A0XX PP0G 00	FFC Panel		C	1	
14	A0XX PP1F 00	Cover		D	1	

FRAME SECTION



PRINT HEAD SECTION

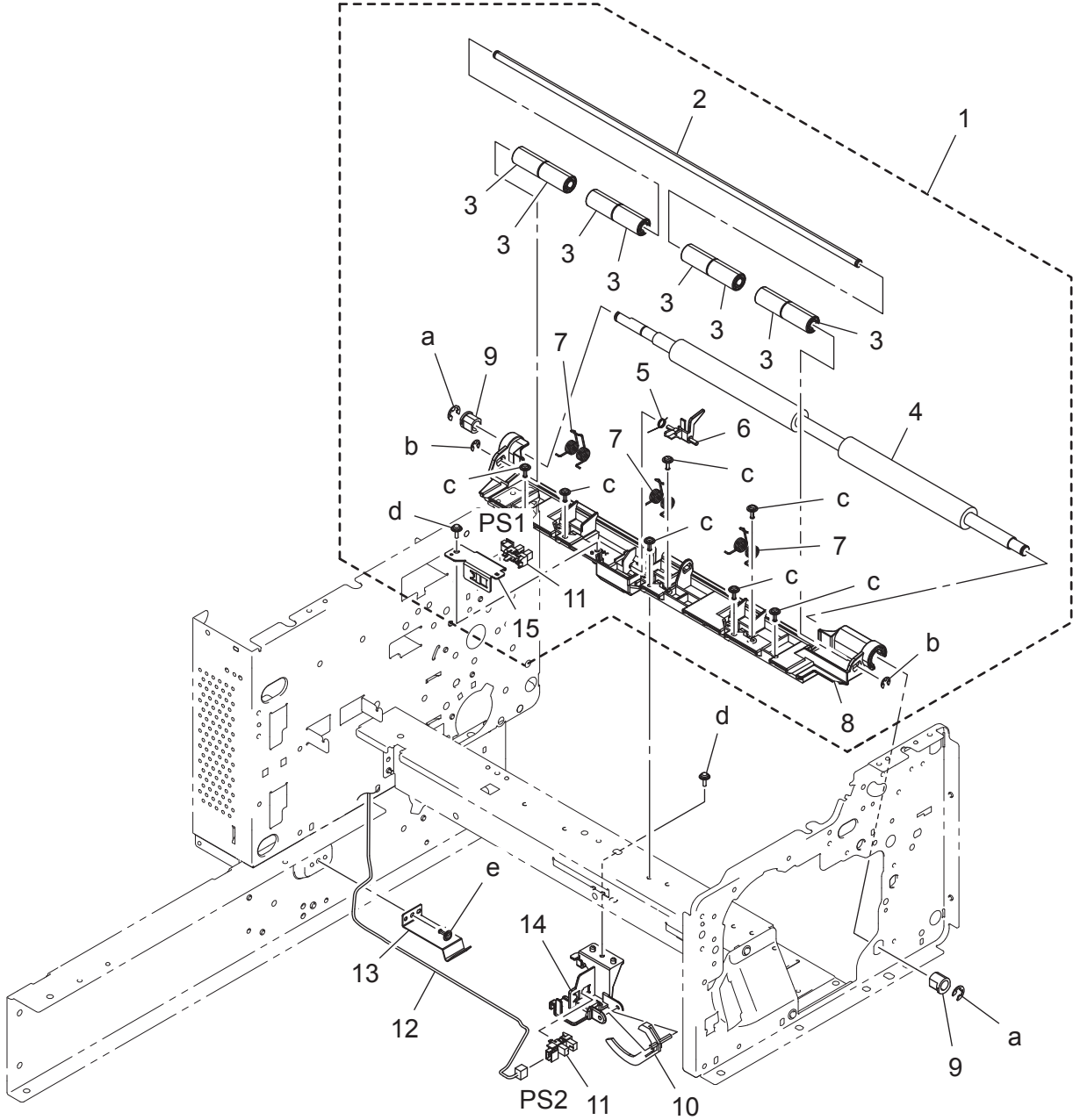
P 6



PRINT HEAD SECTION

Key	Part No.	Description	Destinations	Class	QTY	Standard parts
1	A0XX PP06 00	Wire Harness Assy		D	1	a-V137 0306 03 b-V144 0308 03
2	A0XX PP44 00	Holder		D	1	
3	A0XX PP17 00	Contact		C	1	
4	A0XX PP5S 00	Shoulder Screw		C	1	
5	A0XX PP2V 00	Arm		D	1	
6	4034 2305 01	PRESSURE SPRING		C	1	
7	A0XX PP4W 00	Bracket		C	1	
8	A0XX PP1R 00	Torsion Spring		C	1	
9	A0XX PP60 00	Screw		C	2	
10	9J06 M601 00	MICRO SWITCH		C	1	
11	A1XT R700 00	PH Unit		I	1	
12	4034 2205 01	SUPPORTER		D	4	
13	A00J 3070 00	Compressing Spring		C	3	
14	A0XX PP5T 00	Shoulder Screw		C	3	
15	A0XX PP1J 00	PH Cover		D	1	
16	A0XX PP6V 00	Guide		C	1	

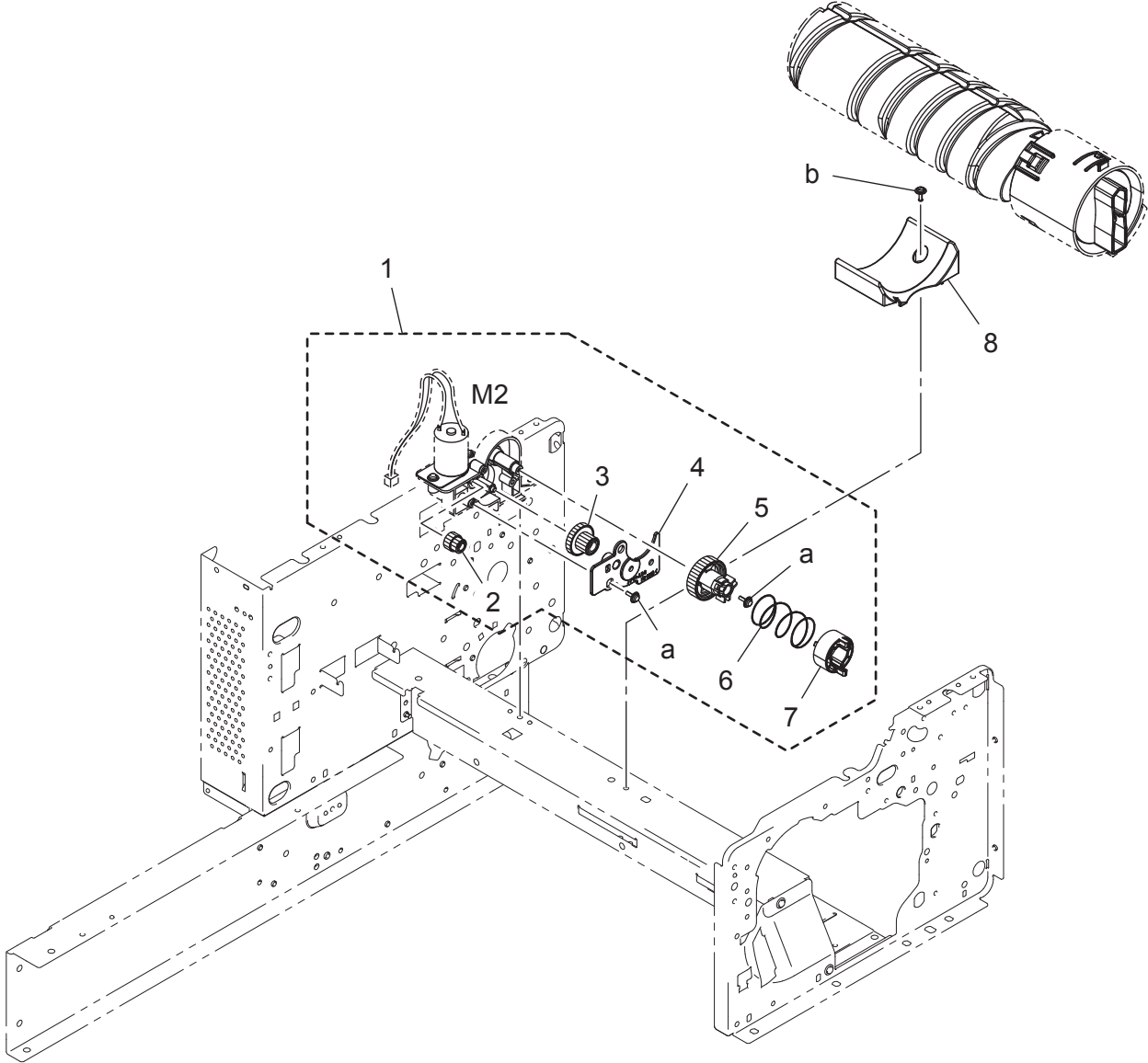
PAPER TAKE-UP SECTION



PAPER TAKE-UP SECTION

Key	Part No.	Description	Destinations	Class	QTY	Standard parts
1	A0XX PP6A 00	Timing Roller Assy		S	1	a-V217 0600 50 b-V218 0300 86 c-V137 0308 03 d-V153 0308 03 e-V137 0306 03
2	A0XX PP23 00	Shaft		D	1	
3	A0XX PP3P 00	Roller		C	8	
4	A0XX PP55 00	Roller		C	1	
5	4034 3534 01	TORSION SPRING		C	1	
6	A0XX PP3N 00	Actuator		C	1	
7	A0XX PP0X 00	Torsion Spring		C	3	
8	A0XX PP53 00	Holder		D	1	
9	4025 3572 01	BUSHING		C	2	
10	1164 3027 01	ACTUATOR		C	1	
11	9335 1300 61	PHOTO INTERRUPTER		B	2	
12	A0XX PP0A 00	Wire Harness Assy	{bizhub164}	D	1	
12	A0XX PP09 00	Wire Harness Assy	{bizhub184/7718}	D	1	
13	1164 3054 01	PLATE SPRING		C	1	
14	A0XX PP3G 00	Holder		C	1	
15	A0XX PP0W 00	Bracket		C	1	

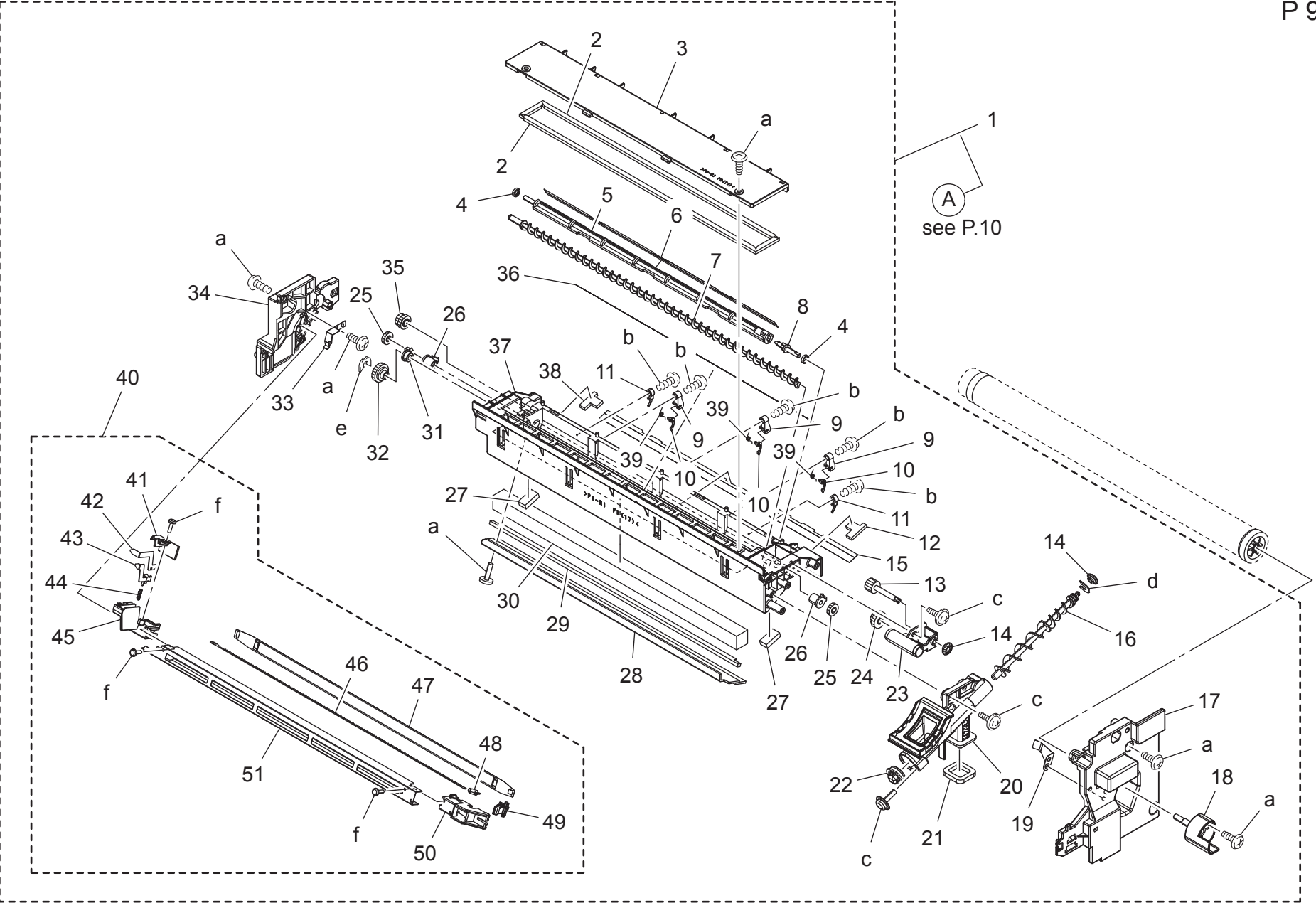
HOPPER SECTION



HOPPER SECTION

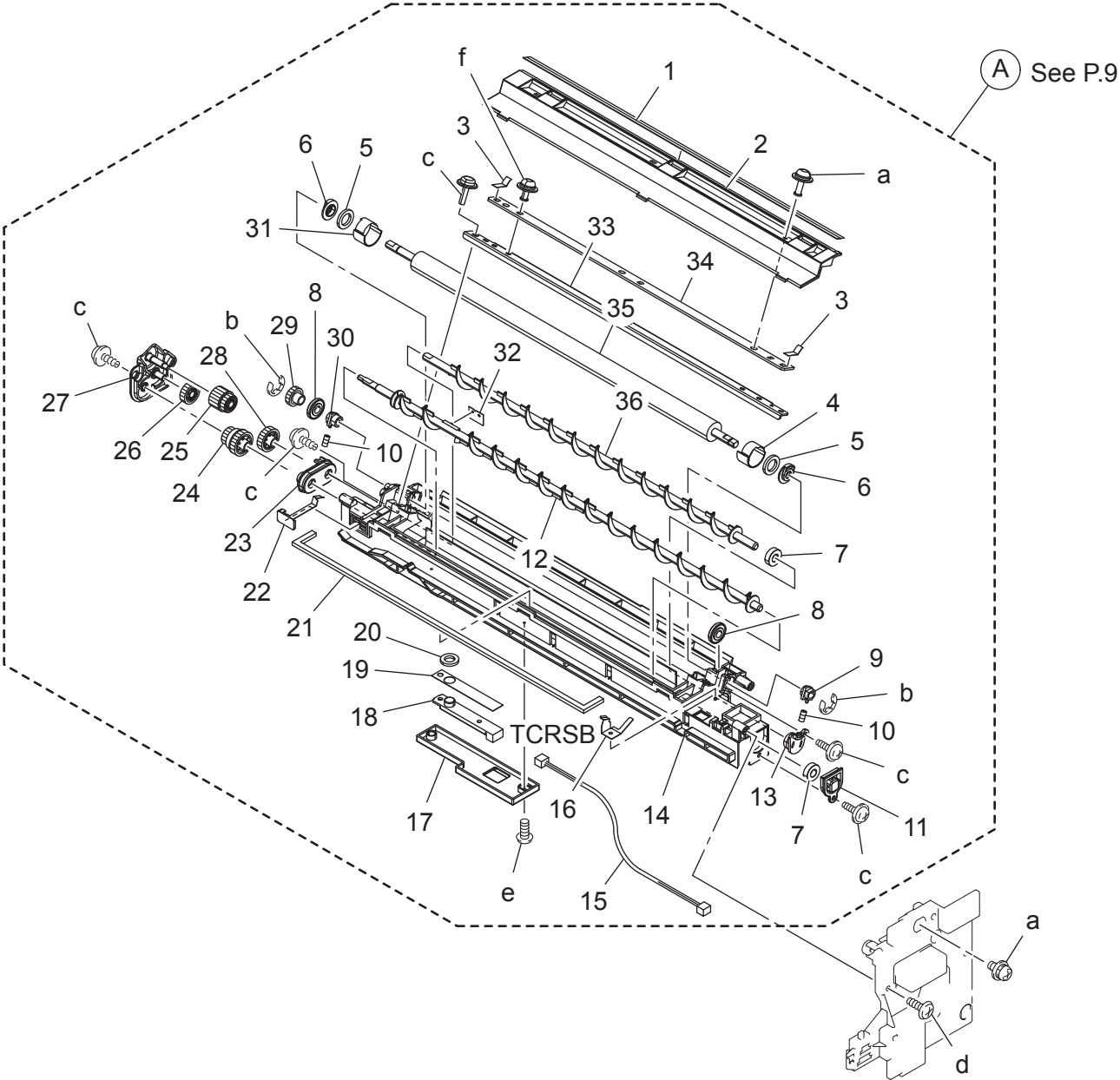
Key	Part No.	Description	Destinations	Class	QTY	Standard parts
1	A0XX PP6K 00	Hopper Drive Assy		C	1	a-V153 0308 03 b-V137 0308 03
2	A0XX PP3U 00	Gear		C	1	
3	A0XX PP3T 00	Gear		C	1	
4	A0XX PP3Q 00	Cover		C	1	
5	A0XX PP3S 00	Gear		C	1	
6	4038 5412 02	PRESSURE SPRING		C	1	
7	A0ED 2407 00	Joint		C	1	
8	A0XX PP3V 00	Holder		C	1	

CHARGE SECTION



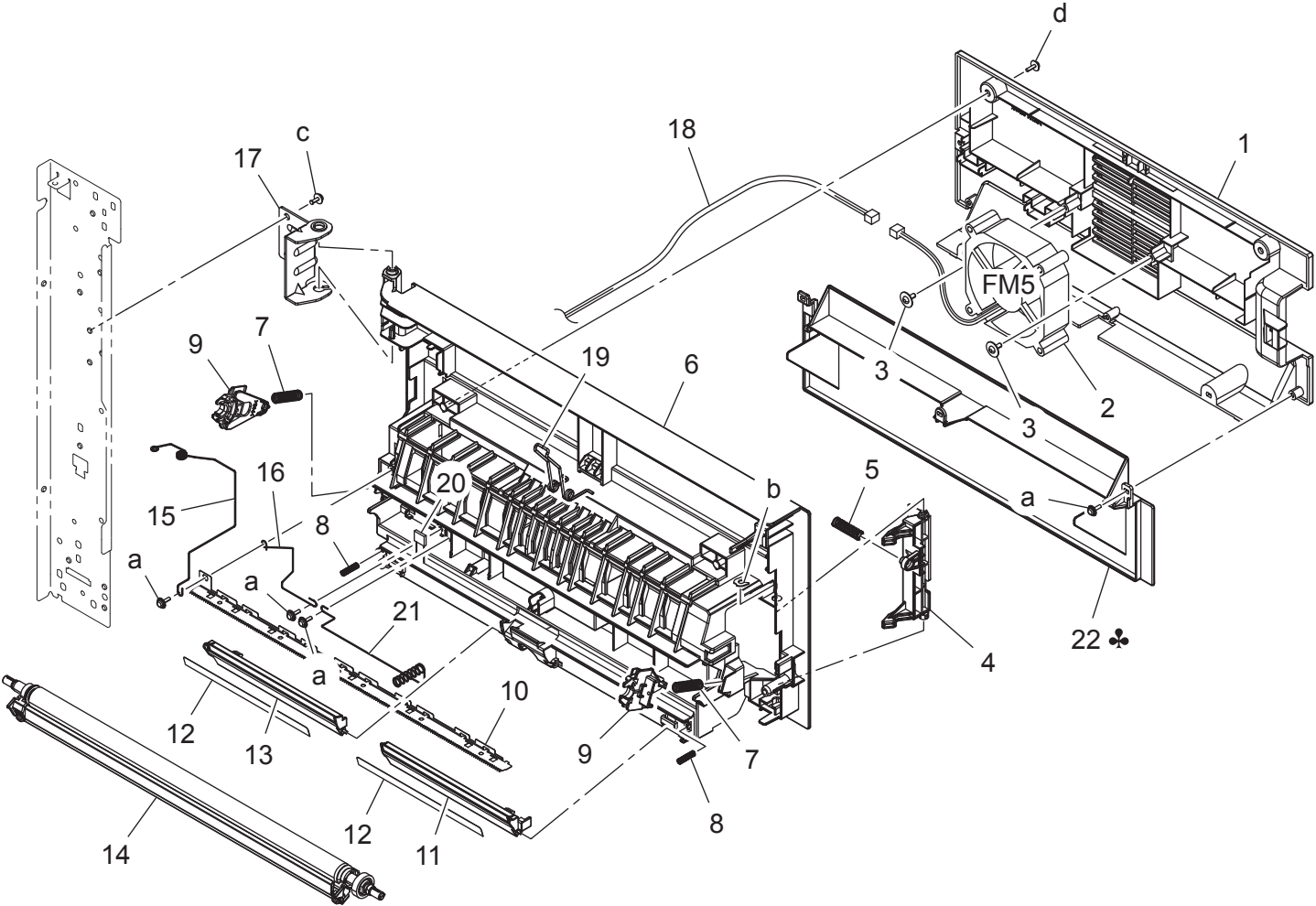
CHARGE SECTION

Key	Part No.	Description	Destinations	Class	QTY	Standard parts
1	A1XU R700 00	IU After Assy		I	1	a-V149 0308 04 b-V166 1704 04 c-V153 0308 03 d-V218 0600 86 e-V218 0300 86 f-V162 0205 04
2	A0XX 3612 00	Seal		C	2	
3	A0XX 3616 00	Cover		C	1	
4	0910 5507 12	SEAL		C	2	
5	4163 5607 02	SCREW		C	1	
6	A0XX 3610 00	Seal		C	1	
7	4021 5606 01	SCREW		D	1	
8	4021 0166 02	SHAFT		D	1	
9	4163 4361 04	HOLDER		D	3	
10	A0XX 3611 00	Separating Claw		B	3	
11	4162 4074 01	GUIDE		D	2	
12	4163 5605 03	SEAL		C	1	
13	4021 5616 01	GEAR 14T		C	1	
14	4163 5639 01	GEAR 14T		C	2	
15	A0XX 3613 00	Seal		C	1	
16	A0XX 3604 00	Conveyance Screw		C	1	
17	A0XX 3303 00	Mounting Plate		C	1	
18	A0XX 3309 00	Pin /Front		C	1	
19	A0XX 3306 00	Plate spring		C	1	
20	A0XX 3608 00	Toner supply Pipe		C	1	
21	A0XX 3606 00	Seal		C	1	
22	A0XX 3605 00	Bushing		C	1	
23	A0XX 3617 01	Drive Holder		C	1	
24	4021 5615 01	GEAR 14/14T		C	1	
25	4163 5609 01	GEAR 14T		C	2	
26	4163 5611 01	BUSHING		C	2	
27	4163 5603 02	SEAL		C	2	
28	A0XX 3618 00	Cleaning Part		A	1	
29	4163 5614 01	SEAL		C	1	
30	A0XX 3301 00	Filter		C	1	
31	4163 5625 01	BUSHING		C	1	
32	4021 5619 01	GEAR 22T		C	1	
33	4021 4368 02	PLATE SPRING		D	1	
34	A0XX 3304 01	Mounting Plate		C	1	
35	4021 5618 01	GEAR 14/16T		C	1	
36	4163 5617 01	SEAL		C	1	
37	A0XX 3602 00	Cleaning Housing		D	1	
38	4163 5604 03	SEAL		C	1	
39	4163 4072 01	TORSION SPRING		C	3	
40	A1XU R701 00	Drum Charge Unit		A	1	
41	A0XX 3333 00	Cover		C	1	
42	A0XX 3335 00	Contact		C	1	
43	A0XX 3336 00	Contact		C	1	
44	4021 4108 01	SPRING		C	1	
45	A0XX 3332 01	Holder /Rear		C	1	
46	A0XX 3338 00	Comb electrode		B	1	
47	A0XX 3339 00	Grid		B	1	
48	A0XX 3341 00	Pulling Spring		C	1	
49	A0XX 3337 00	Lever		C	1	
50	A0XX 3331 01	Holder /Front		C	1	
51	A0XX 3334 00	Stable Plate		C	1	



Key	Part No.	Description	Destinations	Class	QTY	Standard parts
1	4030 5204 01	SEAL		C	1	a-V116 0308 03 b-V217 0400 01 c-V153 0308 03 d-V149 0308 04 e-V162 0205 04 f-V116 0306 03
2	A0XX 3702 00	Cover		C	1	
3	A0XX 3731 00	Seal		C	2	
4	A0XX 3740 00	Seal		C	1	
5	A0XX 3730 00	Seal		C	2	
6	A0XX 3741 00	Holder		C	2	
7	A0XX 3713 00	Seal		C	2	
8	A0XX 3745 00	Roll		C	2	
9	A0XX 3718 00	Bushing		C	1	
10	4163 5231 02	PRESSURE SPRING		C	2	
11	A0XX 3734 00	Bushing		C	1	
12	A0XX 3711 01	Conveyance Screw		C	1	
13	A0XX 3735 00	Bushing		C	1	
14	A0XX 3701 01	Housing		D	1	
15	A1XU N116 00	Sensor Wiring		D	1	
16	A0XX 3715 00	Contact		C	1	
17	A0XX 3712 00	Cover		C	1	
18	A1XU M503 00	Magnetic sensor		B	1	
19	A0XX 3714 00	Mating Part		C	1	
20	A0DE 3851 00	Seal		C	1	
21	A0XX 3703 00	Seal		C	1	
22	A0XX 3716 00	Contact		C	1	
23	A0XX 3736 00	Bushing		C	1	
24	A0XX 3724 00	Gear 15/22T		C	1	
25	A0XX 3721 00	Gear 15/18T		C	1	
26	A0XX 3723 00	Gear 18T		C	1	
27	A0XX 3720 00	Holder		C	1	
28	A0XX 3725 00	Gear 21T		C	1	
29	A0XX 3722 00	Gear 16T		C	1	
30	A0XX 3717 00	Bushing		C	1	
31	A0XX 3742 00	Seal		C	1	
32	A0DE 3713 00	Film		C	1	
33	A0XX 3705 00	Mounting Plate		C	1	
34	A0XX 3704 00	Regulating Plate		C	1	
35	A0XX 3709 00	Developing Roller		B	1	
36	A0XX 3710 00	Conveyance Screw		C	1	

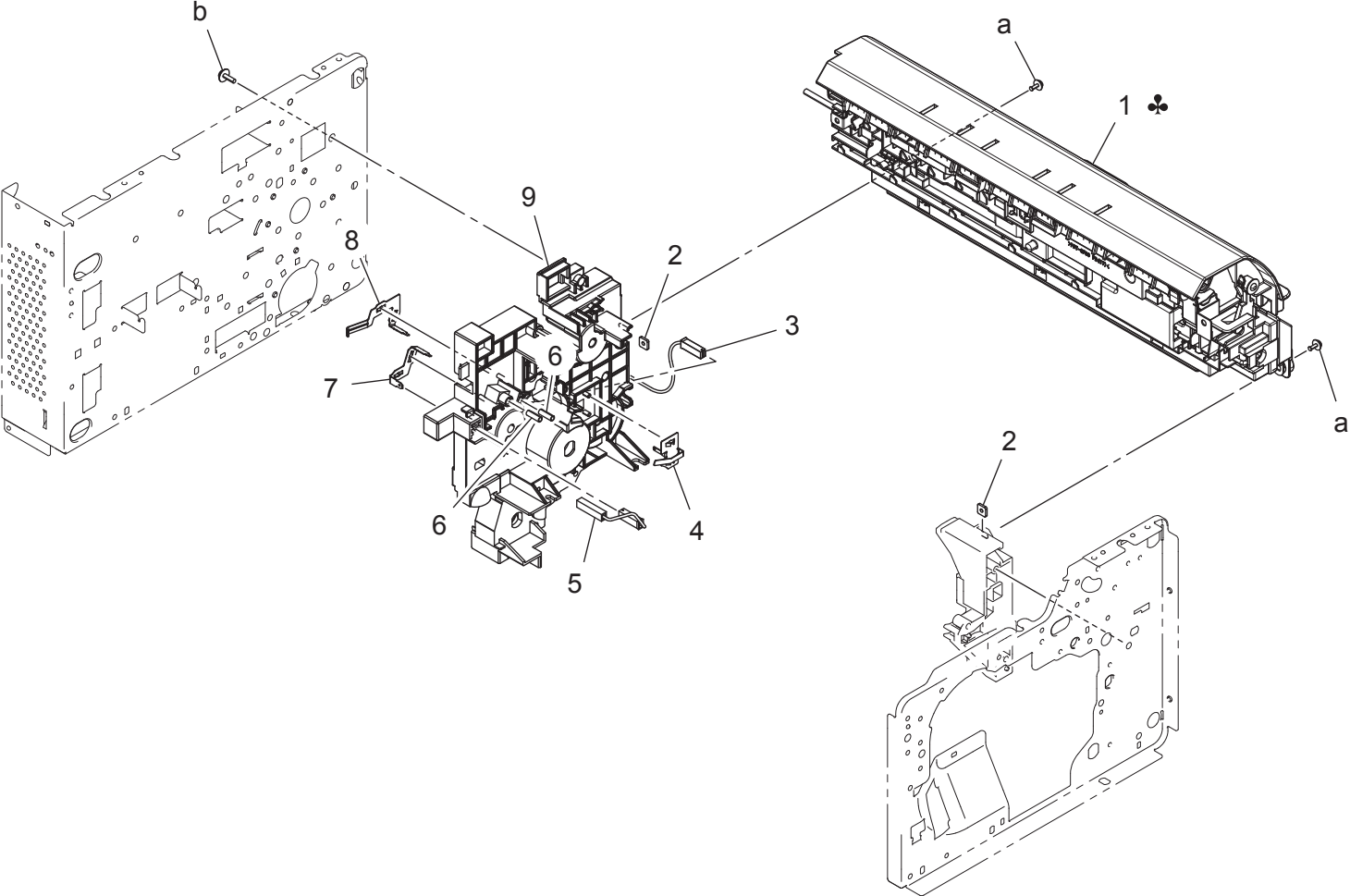
PAPER TRANSPORT SECTION



PAPER TRANSPORT SECTION

Key	Part No.	Description	Destinations	Class	QTY	Standard parts
1	A0XX PP3K 00	Right Cover		C	1	a-V153 0308 03 b-V218 0300 86 c-V116 0308 03 d-V137 0308 04
2	9J03 M100 00	FAN MOTOR		B	1	
3	4163 5293 01	SCREW		C	2	
4	A0XX PP3J 00	Lever		C	1	
5	A0XX PP1V 00	Pressure Spring		C	1	
6	A0XX PP3M 00	Holder		C	1	
7	A0XX PP1V 00	Pressure Spring		C	2	
8	A0XX PP1X 00	Pressure Spring		C	2	
9	A0XX PP3H 00	Bushing		C	2	
10	A0XX PP0S 00	Neutralizing Needle		C	1	
11	A0XX PP50 00	Guide		C	1	
12	A0XX PP5M 00	Guide		C	2	
13	A0XX PP51 00	Guide		C	1	
14	A0XX PP6H 00	Transfer Roller Assy		C	1	
15	A0XX PP0T 00	Contact		C	1	
16	A0XX PP1U 00	Contact		C	1	
17	A0XX PP0Y 00	Hinge		C	1	
18	A0XX PP0B 00	Wire Harness Assy		D	1	
19	A0XX PP0V 00	Torsion Spring		C	1	
20	9455 3078 01	RESISTOR		D	1	
21	A0XX PP0U 00	Contact		C	1	
22	A0XX PP2S 00	Right Lower Cover	D1,D3,E,F1,F2,G1,G2,I,K	C	1	
22	A0XX PP2S 00	Right Lower Cover	C,H {bizhub164}	C	1	

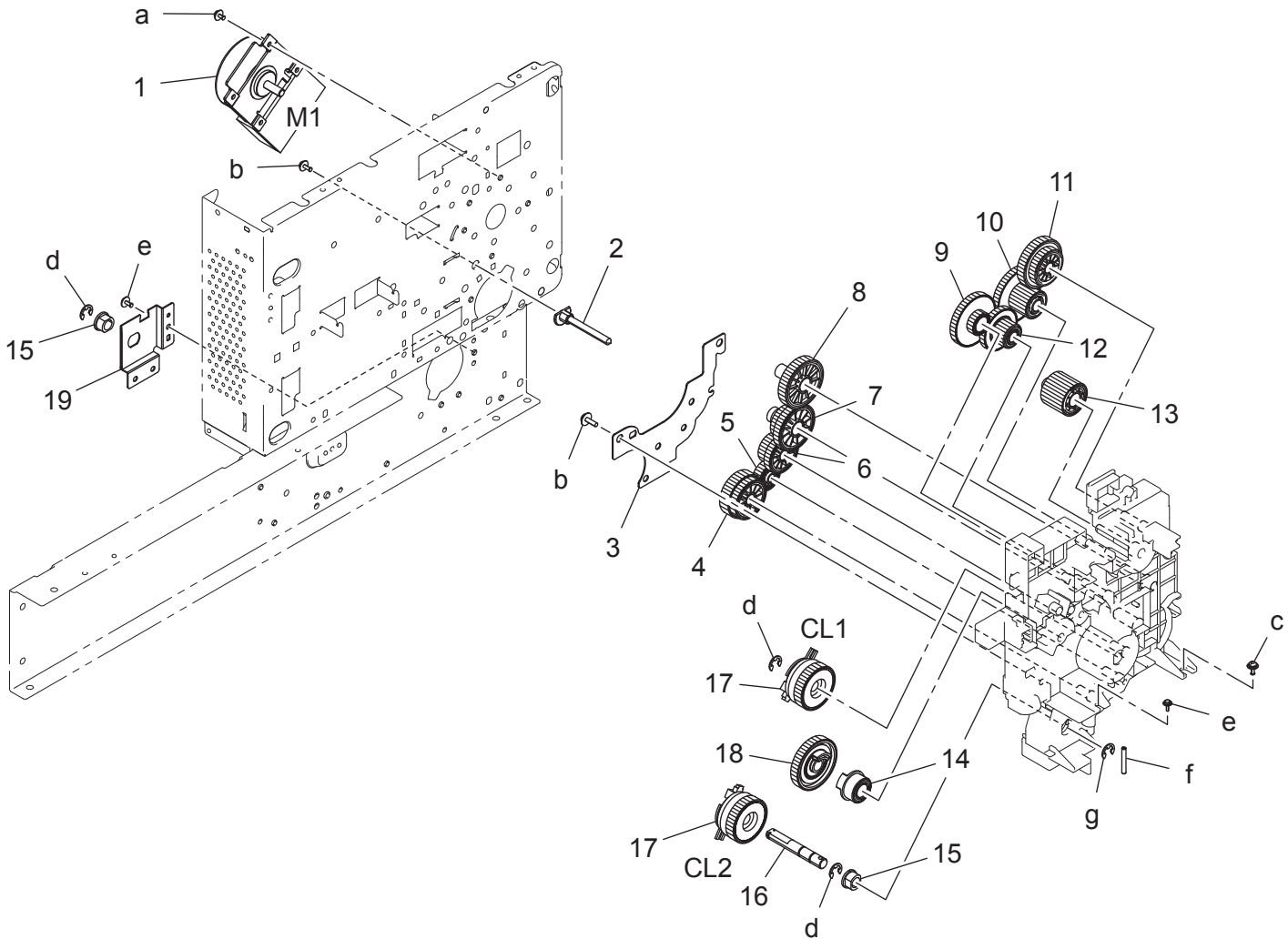
FUSING & PAPER EXIT SECTION



FUSING & PAPER EXIT SECTION

Key	Part No.	Description	Destinations	Class	QTY	Standard parts
1	A0XX PP6X 00	Fusing/Paper Exit Assy 230V	D1,D3,E,F2,G1,I,J,K	A	1	a-V116 0306 03 b-V153 0410 03
1	A0XX PP6X 00	Fusing/Paper Exit Assy 230V	C {bizhub164}	A	1	
1	A0XX PP70 00	Fusing/Paper Exit Assy 120V	F1,G2	A	1	
1	A0XX PP6Y 00	Fusing/Paper Exit Assy 110V	H {bizhub164}	A	1	
2	4002 5042 02	PLATE NUT		D	2	
3	A0XX PP05 00	Wire Harness Assy		D	1	
4	A0XX PP14 00	Contact		D	1	
5	A0XX PP07 00	Wire Harness Assy		D	1	
6	4021 2101 01	PRESSURE SPRING		C	2	
7	A0XX PP16 00	Contact		D	1	
8	A0XX PP15 00	Contact		D	1	
9	A0XX PP39 00	Holder		C	1	

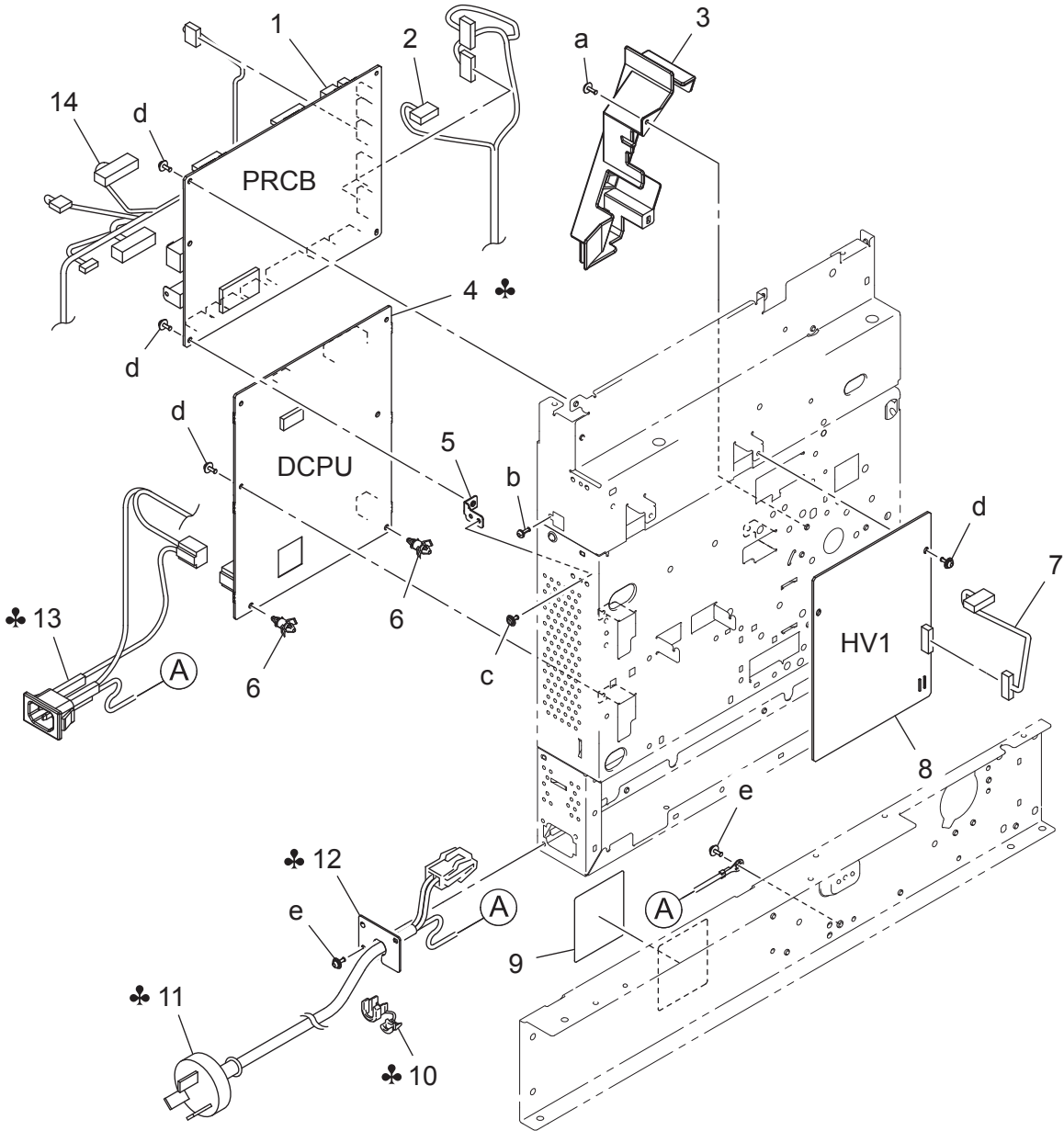
DRIVE SECTION



DRIVE SECTION

Key	Part No.	Description	Destinations	Class	QTY	Standard parts
1	A0XX PP5W 00	Motor		B	1	a-V116 0306 03 b-V116 0308 03 c-V153 0410 03 d-V217 0600 50 e-V137 0306 03 f-V232 3022 09 g-V217 0600 01
2	A0XX PP1Y 00	Shaft		C	1	
3	A0XX PP0P 00	Bracket		D	1	
4	A0XX PP38 00	Gear		C	1	
5	A0XX PP32 00	Gear		C	1	
6	A0XX PP37 00	Gear		C	1	
7	A0XX PP36 00	Gear		C	1	
8	A0XX PP35 00	Gear		C	1	
9	A0XX PP2W 00	Gear		C	1	
10	A0XX PP31 00	Gear		C	1	
11	A0XX PP33 00	Gear		C	1	
12	A0XX PP2X 00	Gear		C	1	
13	A0XX PP34 00	Gear		C	1	
14	A0XX PP30 00	Gear		C	1	
15	4021 2547 02	BUSHING		C	2	
16	A0XX PP20 00	Shaft		C	1	
17	A0XX PP5V 00	Clutch		B	2	
18	A0XX PP2Y 00	Gear		C	1	
19	A0XX PP0N 00	Bracket		D	1	

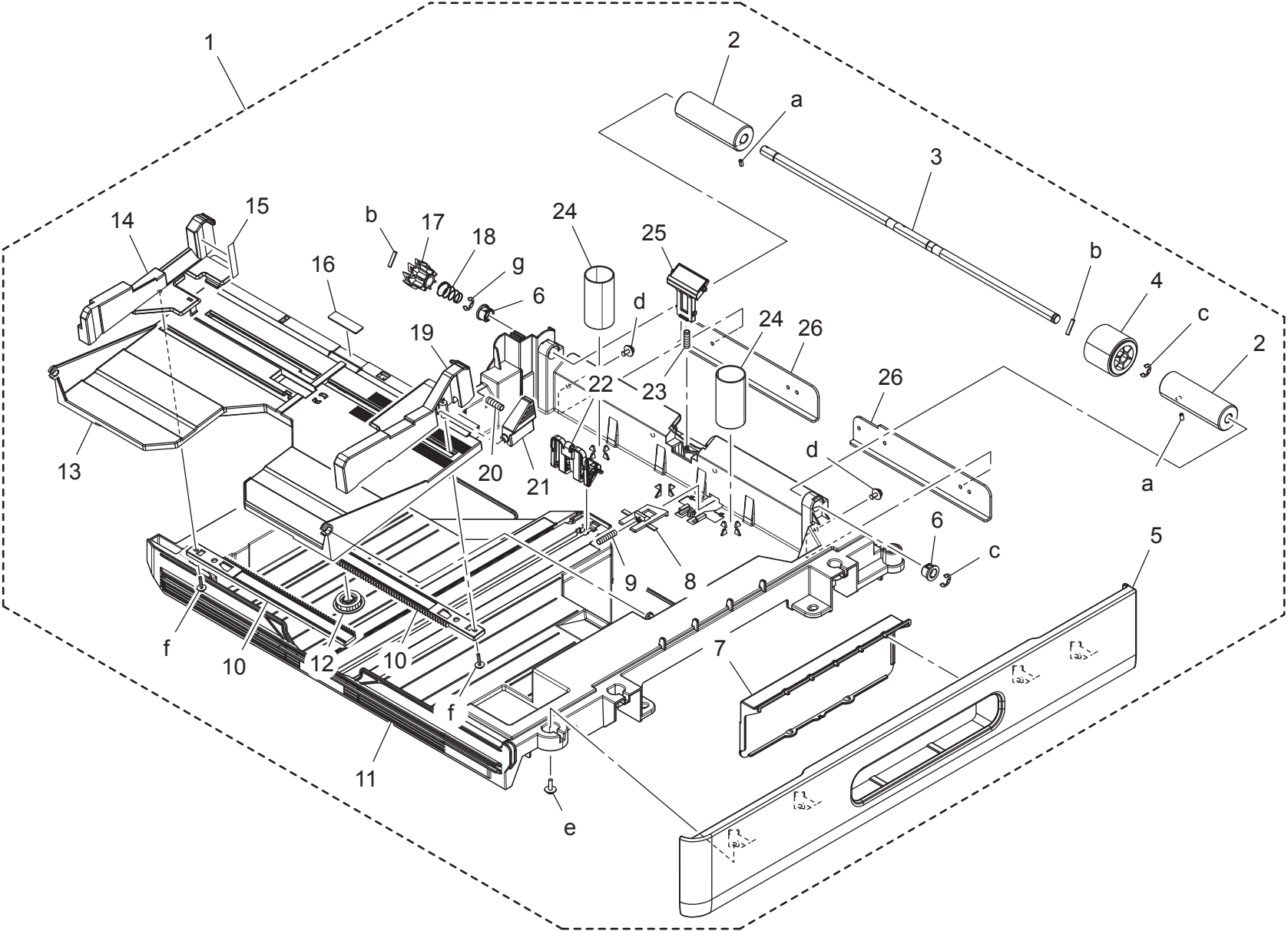
ELECTRICAL COMPONENTS



ELECTRICAL COMPONENTS

Key	Part No.	Description	Destinations	Class	QTY	Standard parts
1	A0XX PP63 00	PW Board Assy CC/MM 16PPM	{bizhub164}	I	1	a-V137 0308 03 b-V115 0308 03 c-V137 0306 03 d-V116 0308 03 e-V116 0406 03
1	A0XX PP65 00	PW Board Assy CC/MM 18PPM	{bizhub184/7718}	I	1	
2	A0XX PP08 00	Wire Harness Assy		C	1	
3	A0XX PP4X 00	Holder		D	1	
4	A0XX PP0J 00	PW Board Assy LV 200V	D1,D3,E,F2,G1,I,J,K	I	1	
4	A0XX PP0J 00	PW Board Assy LV 200V	C {bizhub164}	I	1	
4	A0XX PP0K 00	PW Board Assy LV 100V	F1,G2	I	1	
4	A0XX PP0K 00	PW Board Assy LV 100V	H {bizhub164}	I	1	
5	A0XX PP18 00	Bracket		D	1	
6	V502 0100 45	PCB Support		D	2	
7	A0XX PP04 00	Wire Harness Assy		D	1	
8	A0XX PP0H 00	HV Transfomer		I	1	
9	4037 7406 01	LABEL EARTH CAUTION		C	1	
10	A0XX PP62 00	Cord Bush	J	D	1	
11	A0XX PP01 00	Power Source Cord /220-240V	J	C	1	
12	A0XX PP1S 00	Bracket	J	D	1	
13	A0XX PP0C 00	Wire Harness Assy	D1,D3,E,F1,F2,G1,G2,I,K	C	1	
13	A0XX PP0C 00	Wire Harness Assy	C,H {bizhub164}	C	1	
13	A0XX PP0D 00	Power Supply Wiring	J	C	1	
14	A0XX PP03 00	Wire Harness Assy		C	1	

CASSETTE SECTION

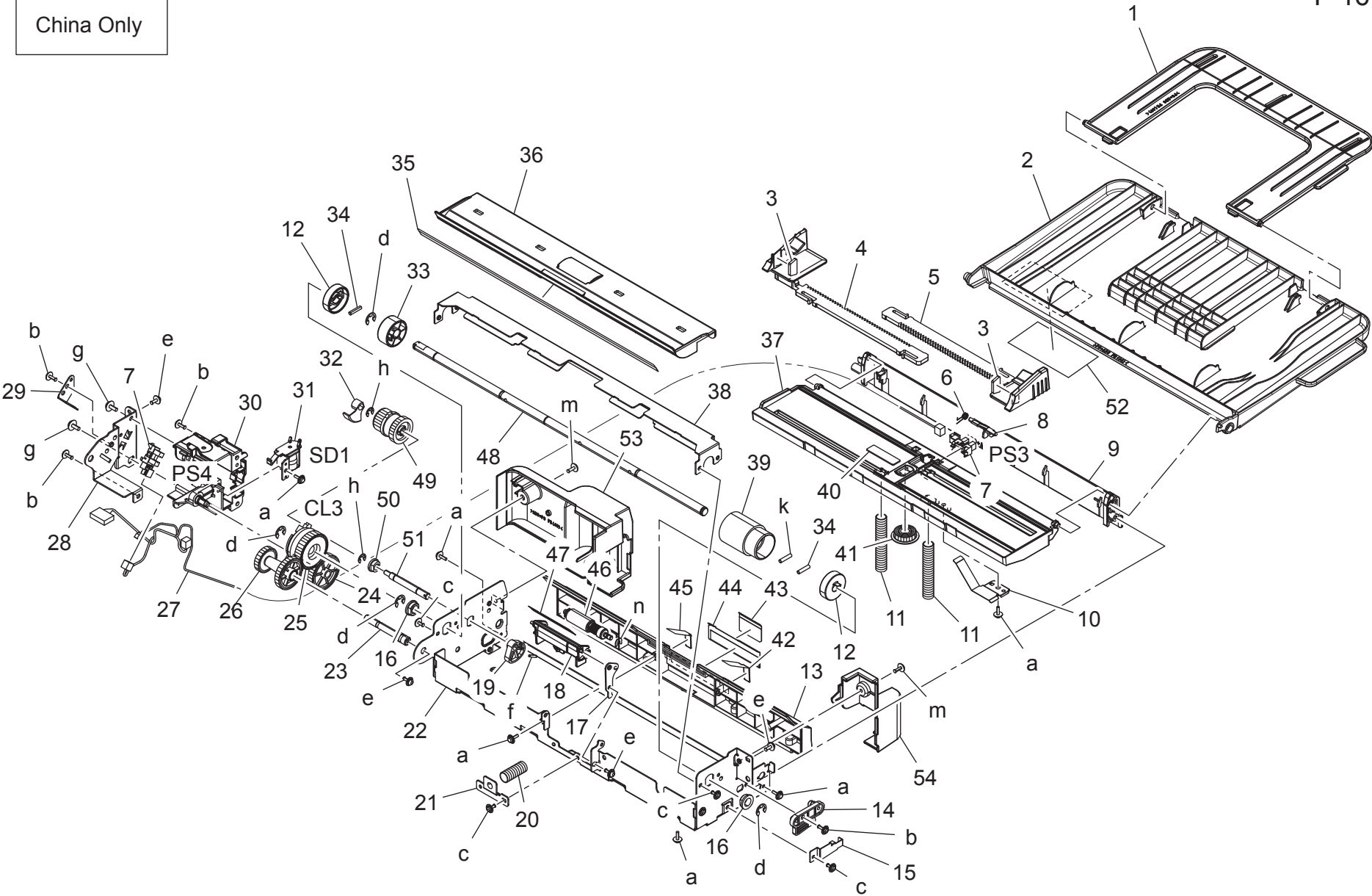


CASSETTE SECTION

Key	Part No.	Description	Destinations	Class	QTY	Standard parts
1	A0XX PP6J 00	MPC Assy		S	1	a-V192 0406 09
2	A0XX PP22 00	Weight		C	2	b-V231 3014 50
3	A0XX PP21 00	Shaft		C	1	c-V218 0600 86
4	A0XX 5602 00	Paper feed Roller		C	1	d-V116 0408 03
5	A0XX PP3D 00	Front Cover		C	1	e-V153 0410 03
6	A0XX PP3A 00	Bushing		C	2	f-V153 0312 03
7	A0XX PP3E 00	Handle		C	1	g-V217 0600 01
8	1164 3061 01	LEVER		C	1	
9	1164 3062 01	PRESSURE SPRING		C	1	
10	A02F 6232 00	Rack		C	2	
11	A0XX PP3C 00	Cassette		D	1	
12	1164 3045 01	GEAR 20T		C	1	
13	A0XX PP3B 00	Lifting Plate		C	1	
14	A02F 6212 00	Regulating plate		C	1	
15	A02F 9441 00	Label Level		C	1	
16	A0XX PP79 00	Friction Sheet		C	1	
17	1164 3004 03	PAWL		C	1	
18	A02F 6254 00	Pressure Spring		C	1	
19	A02F 6211 01	Regulating Plate		C	1	
20	4038 5601 00	PRESSURE SPRING		C	1	
21	4037 3210 01	LEVER		C	1	
22	A0XX PP3F 00	Regulating Plate		C	1	
23	A0XX PP0R 00	Pressure Spring		C	1	
24	A0XX PP7A 00	Pressure Spring		C	2	
25	A0XX PP6E 00	Separator Assy		C	1	
26	A0XX PP6W 00	Bracket		D	2	

MANUAL PAPER FEED SECTION

China Only

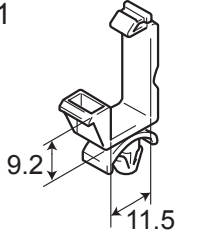
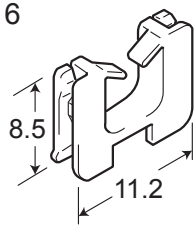
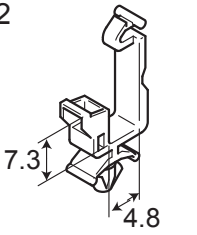
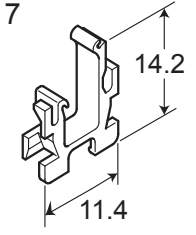
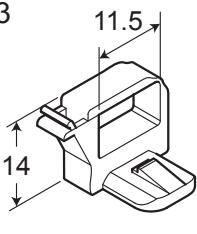
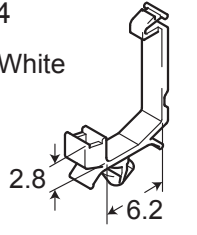
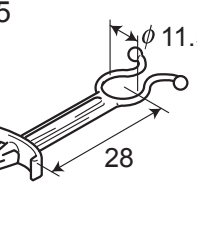


MANUAL PAPER FEED SECTION

Key	Part No.	Description	Destinations	Class	QTY	Standard parts
1	A0XX PP4A 00	Tray	J	C	1	a-V153 0308 03 b-V137 0308 03 c-V137 0306 03 d-V217 0600 01 e-V116 0308 03 f-V231 2010 50 g-V153 0408 03 h-V217 0400 01 k-V231 3014 50 m-V116 0308 04 n-V218 0300 86
2	A0XX PP49 00	Tray	J	C	1	
3	4038 3286 01	BRAKE	J	C	2	
4	A0XX PP4D 00	Regulating Plate	J	C	1	
5	A0XX PP4C 00	Regulating Plate	J	C	1	
6	A0XX PP1D 00	Torsion Spring	J	C	1	
7	9335 1300 61	PHOTO INTERRUPTER	J	B	2	
8	A0XX PP4M 00	Actuator	J	C	1	
9	A0XX PP1N 00	Holder	J	D	1	
10	4038 3255 01	BRAKE	J	D	1	
11	A0XX PP1T 00	Pressure Spring	J	C	2	
12	A0XX PP6S 00	Collar	J	C	2	
13	A0XX PP45 00	Guide	J	C	1	
14	4038 3215 01	HOLD PLATE	J	D	1	
15	4039 3282 01	PLATE SPRING	J	D	1	
16	4131 3532 02	BUSHING	J	C	2	
17	A0XX PP54 00	Bracket	J	C	1	
18	A0XX PP4V 00	Holder	J	C	1	
19	4038 3236 01	CAM	J	C	1	
20	4030 3475 01	PRESSURE SPRING	J	C	1	
21	A0XX PP1W 00	Holder	J	D	1	
22	A0XX PP19 00	Frame	J	D	1	
23	A0XX PP26 00	Shaft	J	D	1	
24	A0XX PP4H 00	Gear	J	C	1	
25	A0XX PP5V 00	Clutch	J	B	1	
26	A0XX PP4K 00	Gear	J	C	1	
27	A0XX PP02 00	Wire Harness Assy	J	C	1	
28	A0XX PP1A 00	Bracket	J	D	1	
29	A0XX PP1C 00	Holder	J	C	1	
30	A0XX PP4G 00	Holder	J	C	1	
31	9J06 M200 00	SOLENOID	J	C	1	
32	A0XX PP4J 00	Lever	J	C	1	
33	A0XX PP57 00	Collar	J	C	1	
34	4036 3014 01	PIN	J	C	2	
35	A0XX PP5K 00	Guide	J	C	1	
36	A0XX PP4F 00	Guide	J	C	1	
37	A0XX PP4B 00	Guide	J	C	1	
38	A0XX PP1B 00	Guide Plate	J	D	1	
39	A0XX 5947 00	Paper feed Roller	J	C	1	
40	4687 3281 01	FRICTION SHEET	J	C	1	
41	A0XX PP4E 00	Gear	J	C	1	
42	4038 3268 02	GUIDE	J	C	1	
43	4030 3403 01	GUIDE	J	C	1	
44	4030 3402 01	GUIDE PLATE	J	C	1	
45	4038 3269 02	GUIDE	J	C	1	
46	4034 0151 01	SEPARATION ROLLER	J	A	1	
47	A0XX PP6T 00	Guide	J	C	1	
48	A0XX PP24 00	Shaft	J	C	1	
49	4038 3260 01	CLUTCH ASSY	J	C	1	
50	4030 3093 01	BUSHING	J	C	1	
51	A0XX PP25 00	Shaft	J	D	1	
52	A0XX PP77 00	Label Warning	J	C	1	
53	A0XX PP46 00	Cover	J	C	1	
54	A0XX PP4Y 00	Cover	J	C	1	

WIRING ACCESSORIES AND JIGS

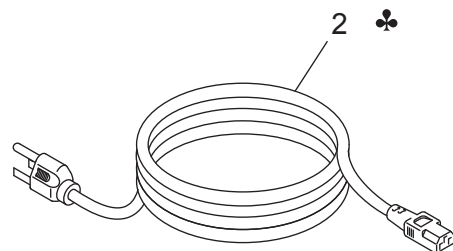
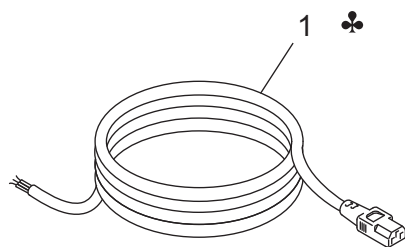
P 17

1 	6 	11	16	21	26	31	36
2 	7 	12	17	22	27	32	37
3 	8	13	18	23	28	33	38
4 White 	9	14	19	24	29	34	39
5 	10	15	20	25	30	35	40

WIRING ACCESSORIES AND JIGS

Key	Part No.	Description	Destinations	Class	QTY	Standard parts
1	V500 0100 05	saddle		D		
2	V500 0100 20	Saddle		D		
3	V500 0100 21	saddle		D		
4	V500 0100 46	saddle		D		
5	V500 0200 42	locker		D		
6	V570 0100 21	Saddle		D		
7	V570 0100 50	Locking Edge Saddle		D		

ACCESSORY PARTS



ACCESSORY PARTS

Key	Part No.	Description	Destinations	Class	QTY	Standard parts
1	A0XX PP73 00	Power Source Cord/220-240V	D1,D3,E,F2,G1,I,K	C	1	
2	A0XX PP72 00	Power Source Cord/120-127V	F1,G2	C	1	
2	A0XX PP71 00	Power Source Cord/110V	H {bizhub164}	C	1	

MAINTENANCE LIST

● The items with no Page/Key numbers are not handled as spare parts.

No.	Section	PM Parts Description	Maintenance Cycle (K=1,000)		Parts No.	Destinations	Page/Key	Note
			QTY	Replace				
1	Processing section	Developer	1	55K	-		-	
2		Drum	1	55K	-		-	
3		Cleaning blade	1	55K	A0XX361800		P9-28	
4		Drum charge corona assy	1	55K	A1XUR70100		P9-40	
5		Toner cartridge (TN117)	1	5K	-		-	
6		Toner cartridge (TN116)	1	11K	-		-	
7		Toner cartridge (TN117H)	1	11K	-		-	*1
8	Fusing section	Fusing unit	1	100K	A0XXPP6X00	D1 D3 E F2 G1 I J K	P12-1	*2
9		Fusing unit	1	100K	A0XXPP6X00	C	P12-1	*2 {bizhub164}
10		Fusing unit	1	100K	A0XXPP6Y00	H	P12-1	*2 {bizhub164}
11		Fusing unit	1	100K	A0XXPP7000	F1 G2	P12-1	*2

*1: China only

*2: Actual durable cycle (PM counter value)

DESTINATION

Destination No.		Destinations		V	Hz	Model No.
A	A1	JAPAN		100	50/60	
	A2	JAPAN		200	50/60	
B		USA, CANADA		120	60	
C		EUROPEAN TYPE		220-240	50/60	A0XX021 A0XX022
D	D1	S.E ASIA TYPE	THAILAND, SRI LANKA, SINGAPORE, MALAYSIA, HONG KONG, PAKISTAN, INDIA, BANGLADESH, INDONESIA	220-240	50/60	A0XX041 A0XY041
	D3	OCEANIA TYPE	AUSTRALIA, NEW ZEALAND	220-240	50/60	A0XX041 A0XY041
E		PHILIPPINES		220-240	50/60	A0XX041 A0XY041
F	F1	SAUDI ARABIA		127	60	A0XX0P1 A0XY0P1
	F2	SAUDI ARABIA		220-240	50/60	A0XX041 A0XY041
G	G1	C.S AMERICA		220-240	50/60	A0XX041 A0XY041
	G2	C.S AMERICA		120	60	A0XX0P1 A0XY0P1
H		TAIWAN		110	60	A0XX071
I		JORDAN, LEBANON, SYRIA, SOUTH AFRICA, IRAQ, IRAN, N.YEMEN, CAMEROON, UAE, BAHRAIN, OMAN, QATAR, KUWAIT, KENYA, TUNISIA, IVORY COAST, MOROCCO		220-240	50/60	A0XX041 A0XY041

Destination No.	Destinations	V	Hz	Model No.
J	CHINA	220-240	50/60	A0XX081 A0XY081 A0XY082
K	KOREA	220-240	50/60	A0XX041 A0XY041