

KONICA MINOLTA

PARTS GUIDE MANUAL

MARCH 2010

MB-503
A1XR

INFORMATION FOR PARTS GUIDE MANUAL

To find correct Parts No., refer to the "HOW TO MAKE THE BEST USE OF THIS MANUAL" in the following page.

HOW TO MAKE THE BEST USE OF THIS MANUAL

- 1 When you order, please check the proper figures beforehand that are on Our Parts Guide Manual, and order with the appropriate figures.
- 2 For screws, Nuts, Washers, retaining rings and Pins which are used in this model, one letter is shown on the Standard parts column of Parts list and exploded diagrams.
- 3 In order to maintain safety of the product, some specific parts composed of this product are set up as "essential safety parts".
- 4 The assigned parts number for the "essential safety parts" is indicated as "SP00-****".
When replacing these parts, follow precautions for disassembling and installing which are listed in the Service Manual.
Do not use any parts that are not set up as
- 5 ♣ means that there are exclusive parts for each destination.
Please check the appropriate destination when you order.
- 6 Revision Mark
Marked as ▲ on the illustration shows that the revision has been made.
- 7 All rights reserved. (any reprints or quotations are prohibited.)
Use of this parts guide manual should be strictly supervised to avoid disclosure of confidential information.

CONTENTS

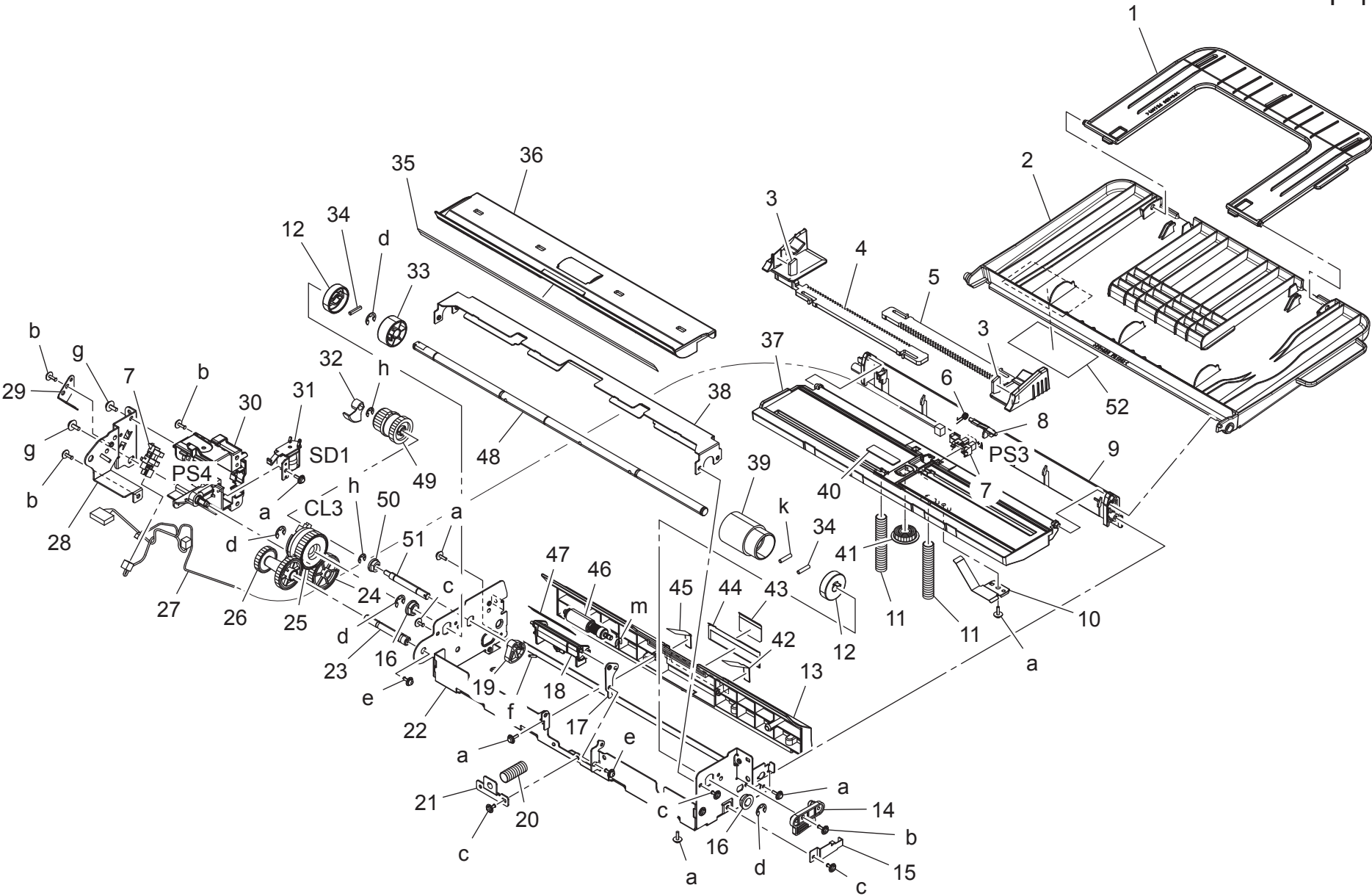
No.	DESCRIPTION	PAGE No.
1	MANUAL PAPER FEED SECTION	P1
2	ACCESSORY PARTS	P2

INDEX

Parts No.	Page No.
4030 3093 01	1-50
4030 3402 01	1-44
4030 3403 01	1-43
4030 3475 01	1-20
4034 0151 01	1-46
4036 3014 01	1-34
4038 3215 01	1-14
4038 3236 01	1-19
4038 3255 01	1-10
4038 3260 01	1-49
4038 3268 02	1-42
4038 3269 02	1-45
4038 3286 01	1-3
4039 3282 01	1-15
4131 3532 02	1-16
4687 3281 01	1-40
9335 1300 61	1-7
9J06 M200 00	1-31
A0XX 5947 00	1-39
A0XX PP02 00	1-27
A0XX PP19 00	1-22
A0XX PP1A 00	1-28
A0XX PP1B 00	1-38
A0XX PP1C 00	1-29
A0XX PP1D 00	1-6
A0XX PP1N 00	1-9
A0XX PP1T 00	1-11
A0XX PP1W 00	1-21
A0XX PP24 00	1-48
A0XX PP25 00	1-51
A0XX PP26 00	1-23
A0XX PP45 00	1-13
A0XX PP46 00	2-1
A0XX PP49 00	1-2
A0XX PP4A 00	1-1
A0XX PP4B 00	1-37
A0XX PP4C 00	1-5
A0XX PP4D 00	1-4
A0XX PP4E 00	1-41
A0XX PP4F 00	1-36

Parts No.	Page No.
A0XX PP4G 00	1-30
A0XX PP4H 00	1-24
A0XX PP4J 00	1-32
A0XX PP4K 00	1-26
A0XX PP4M 00	1-8
A0XX PP4V 00	1-18
A0XX PP4Y 00	2-2
A0XX PP54 00	1-17
A0XX PP57 00	1-33
A0XX PP5K 00	1-35
A0XX PP5V 00	1-25
A0XX PP6S 00	1-12
A0XX PP6T 00	1-47
A0XX PP77 00	1-52
V116 0308 03	2-3
V116 0308 04	2-4
V500 0100 20	2-5

MANUAL PAPER FEED SECTION

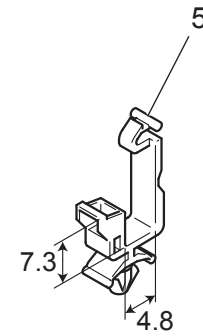
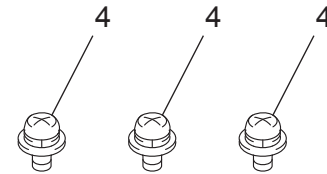
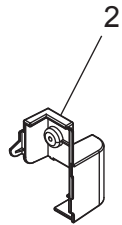
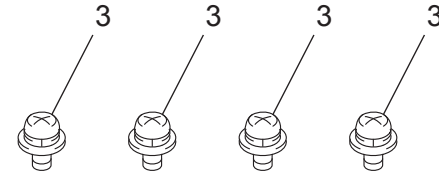
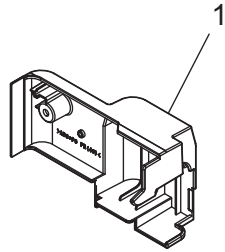


MANUAL PAPER FEED SECTION

Key	Part No.	Description	Destinations	Class	QTY	Standard parts
1	A0XX PP4A 00	Tray		C	1	a-V153 0308 03 b-V137 0308 03 c-V137 0306 03 d-V217 0600 01 e-V116 0308 03 f-V231 2010 50 g-V153 0408 03 h-V217 0400 01 k-V231 3014 50 m-V218 0300 86
2	A0XX PP49 00	Tray		C	1	
3	4038 3286 01	BRAKE		C	2	
4	A0XX PP4D 00	Regulating Plate		C	1	
5	A0XX PP4C 00	Regulating Plate		C	1	
6	A0XX PP1D 00	Torsion Spring		C	1	
7	9335 1300 61	PHOTO INTERRUPTER		B	2	
8	A0XX PP4M 00	Actuator		C	1	
9	A0XX PP1N 00	Holder		D	1	
10	4038 3255 01	BRAKE		D	1	
11	A0XX PP1T 00	Pressure Spring		C	2	
12	A0XX PP6S 00	Collar		C	2	
13	A0XX PP45 00	Guide		C	1	
14	4038 3215 01	HOLD PLATE		D	1	
15	4039 3282 01	PLATE SPRING		D	1	
16	4131 3532 02	BUSHING		C	2	
17	A0XX PP54 00	Bracket		C	1	
18	A0XX PP4V 00	Holder		C	1	
19	4038 3236 01	CAM		C	1	
20	4030 3475 01	PRESSURE SPRING		C	1	
21	A0XX PP1W 00	Holder		D	1	
22	A0XX PP19 00	Frame		D	1	
23	A0XX PP26 00	Shaft		D	1	
24	A0XX PP4H 00	Gear		C	1	
25	A0XX PP5V 00	Clutch		B	1	
26	A0XX PP4K 00	Gear		C	1	
27	A0XX PP02 00	Wire Harness Assy		C	1	
28	A0XX PP1A 00	Bracket		D	1	
29	A0XX PP1C 00	Holder		C	1	
30	A0XX PP4G 00	Holder		C	1	
31	9J06 M200 00	SOLENOID		C	1	
32	A0XX PP4J 00	Lever		C	1	
33	A0XX PP57 00	Collar		C	1	
34	4036 3014 01	PIN		C	2	
35	A0XX PP5K 00	Guide		C	1	
36	A0XX PP4F 00	Guide		C	1	
37	A0XX PP4B 00	Guide		C	1	
38	A0XX PP1B 00	Guide Plate		D	1	
39	A0XX 5947 00	Paper feed Roller		C	1	
40	4687 3281 01	FRICITION SHEET		C	1	
41	A0XX PP4E 00	Gear		C	1	
42	4038 3268 02	GUIDE		C	1	
43	4030 3403 01	GUIDE		C	1	
44	4030 3402 01	GUIDE PLATE		C	1	
45	4038 3269 02	GUIDE		C	1	
46	4034 0151 01	SEPARATION ROLLER		A	1	
47	A0XX PP6T 00	Guide		C	1	
48	A0XX PP24 00	Shaft		C	1	
49	4038 3260 01	CLUTCH ASSY		C	1	
50	4030 3093 01	BUSHING		C	1	
51	A0XX PP25 00	Shaft		D	1	
52	A0XX PP77 00	Label Warning		C	1	

ACCESSORY PARTS

P 2



ACCESSORY PARTS

Key	Part No.	Description	Destinations	Class	QTY	Standard parts
1	A0XX PP46 00	Cover		C	1	
2	A0XX PP4Y 00	Cover		C	1	
3	V116 0308 03	Screw		V	4	
4	V116 0308 04	Screw		V	3	
5	V500 0100 20	Saddle		D	1	

DESTINATION

Destination No.		Destinations		V	Hz	Model No.
A	A1	JAPAN		100	50/60	
	A2	JAPAN		200	50/60	
B		USA, CANADA		120	60	
C		EUROPEAN TYPE		220-240	50/60	A1XRWY1
D	D1	S.E ASIA TYPE	THAILAND, SRI LANKA, SINGAPORE, MALAYSIA, HONG KONG, PAKISTAN, INDIA, BANGLADESH, INDONESIA	220-240	50/60	A1XRWY1
	D3	OCEANIA TYPE	AUSTRALIA, NEW ZEALAND	220-240	50/60	A1XRWY1
E		PHILIPPINES		220-240	50/60	A1XRWY1
F	F1	SAUDI ARABIA		127	60	A1XRWY1
	F2	SAUDI ARABIA		220-240	50/60	A1XRWY1
G	G1	C.S AMERICA		220-240	50/60	A1XRWY1
	G2	C.S AMERICA		120	60	A1XRWY1
H		TAIWAN		110	60	A1XRWY1
I		JORDAN, LEBANON, SYRIA, SOUTH AFRICA, IRAQ, IRAN, N.YEMEN, CAMEROON, UAE, BAHRAIN, OMAN, QATAR, KUWAIT, KENYA, TUNISIA, IVORY COAST, MOROCCO		220-240	50/60	A1XRWY1
J		CHINA		220-240	50/60	
K		KOREA		220-240	50/60	A1XRWY1