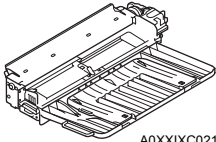
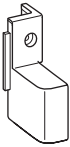
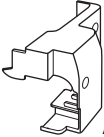






# MB-503 Multi Bypass Tray (Option)

## INSTALLATION MANUAL

Applied Machines: 184/164  
 MFP: 18 ppm/16 ppm  
 Product Code: A0XY/A0XX

### I. Accessory Parts

No.	Name		Q'ty
1.	Multi bypass tray	 A0XXIXC021MA	1
2.	Cover (left)	 A0XXIXC022MA	1
3.	Cover (right)	 A0XXIXC023MA	1
4.	Cord clamp	 A0XXIXC024MA	1
5.	Screw A (3 x 8 mm)	 A0XXIXC025MA	4
6.	Screw B (black) (3 x 8 mm)	 A0XXIXC025MA	3
7.	Installation manual (this manual)	 4980IXC019MA	1

### ! WARNING



After unpacking, be sure to get rid of the packaging materials and keep them out of the reach of children.

Putting your head in the wrapper involves danger of suffocation.

### Note:

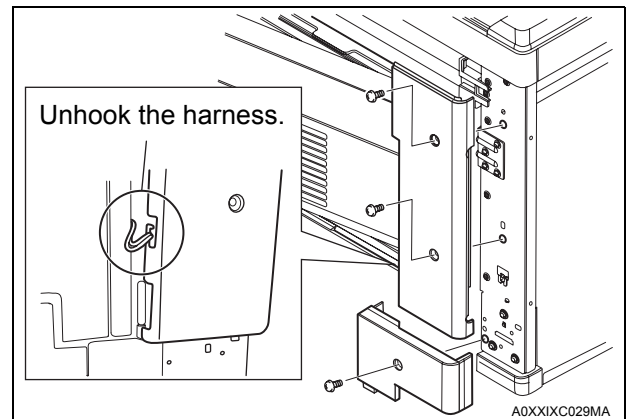
This manual provides the illustrations of the multi bypass tray and printer that may be slightly different in shape from yours. In that case, instead of the illustrations, use the appearance of yours to follow the installation procedure. This does not cause any significant change or problem with the procedure.

### II. Installation

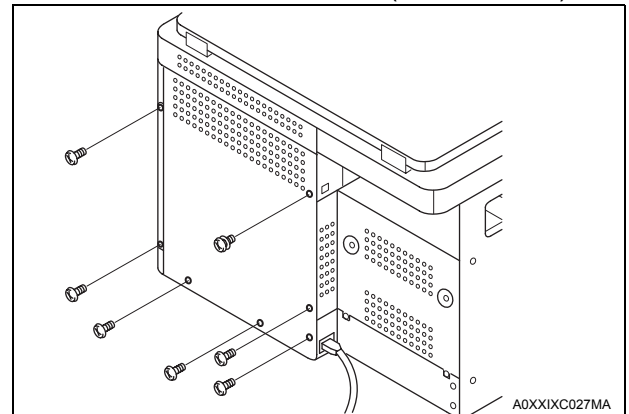
1. Open the right door.
2. Remove the lower cover (one screw).
3. Remove the upper cover (two screws).

### Note:

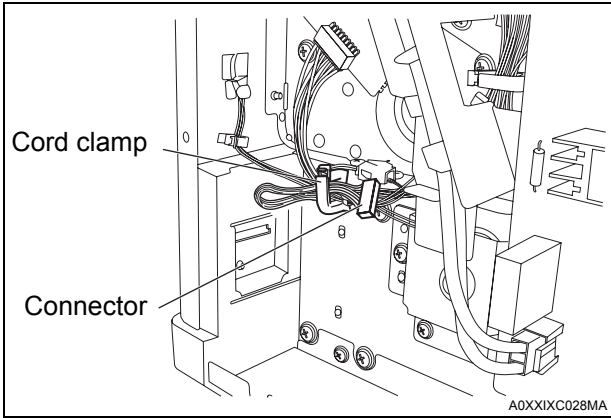
Make sure to unhook the harness from the upper cover.



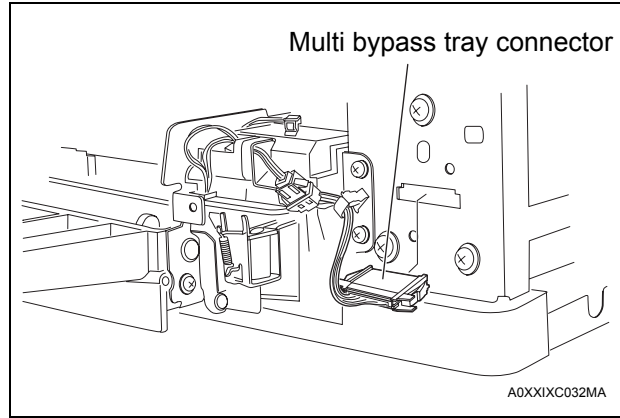
4. Unscrew the screws shown in the illustration, and then take out the back cover (seven screws).



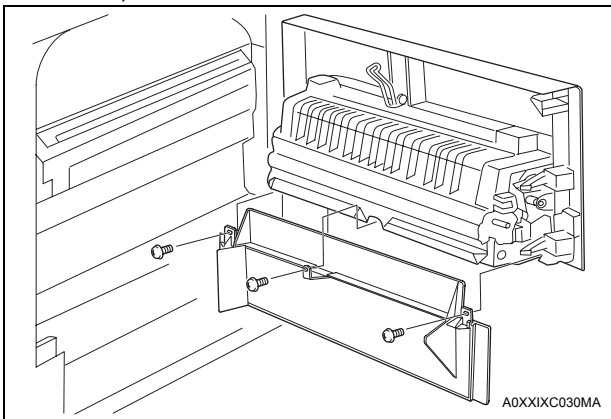
5. Unwind the connector harness from the cord clamp.



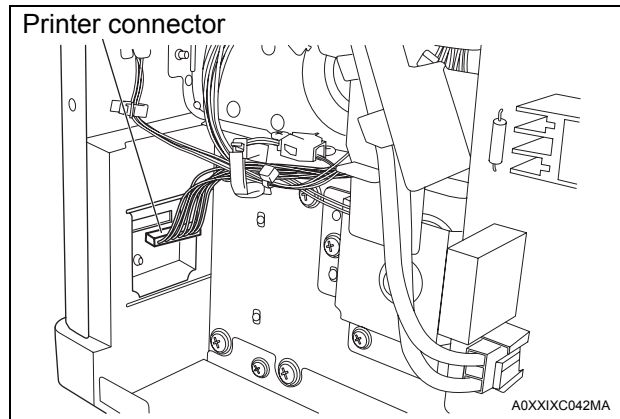
8. Attach the multi bypass tray connector to the printer.



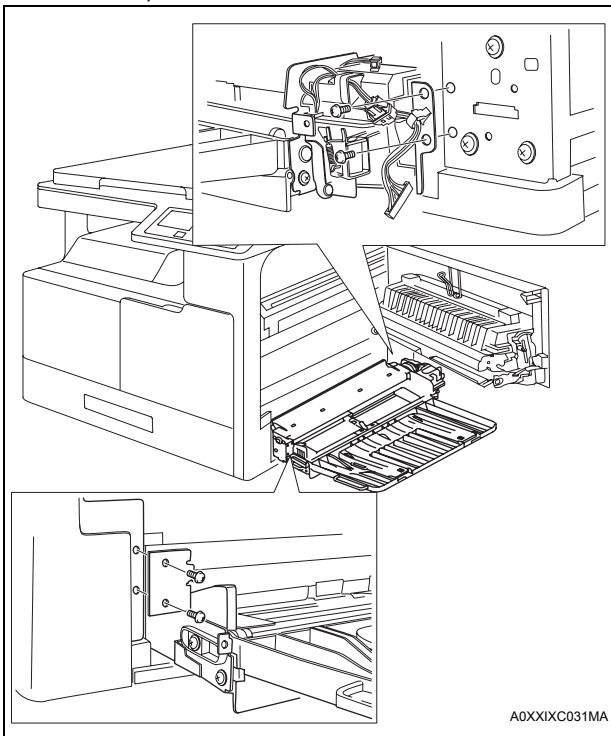
6. Unscrew the screws at the bottom of the right door to take out the cover for the right door (three screws).



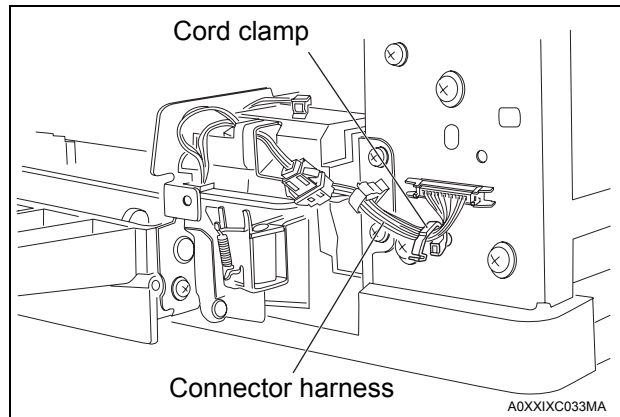
9. Connect the printer connector harness that is unwound in step 5 to the multi bypass tray connector.



7. Attach the multi bypass tray to the printer (four screws A).



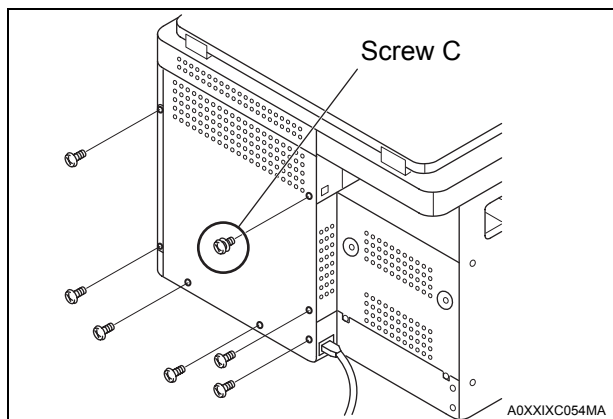
10. Attach the included cord clamp to the printer, and then hold the connector harness with it.



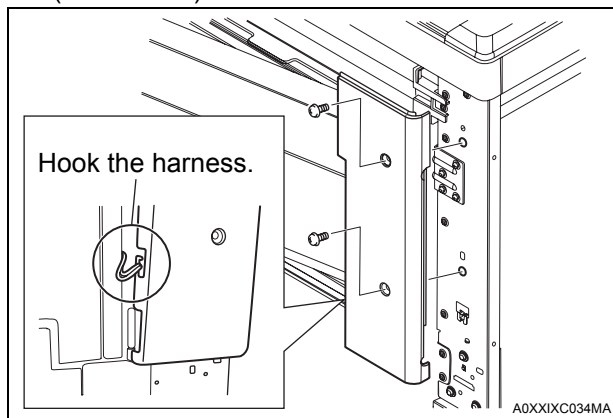
11. Install the back cover (seven screws).

**Note:**

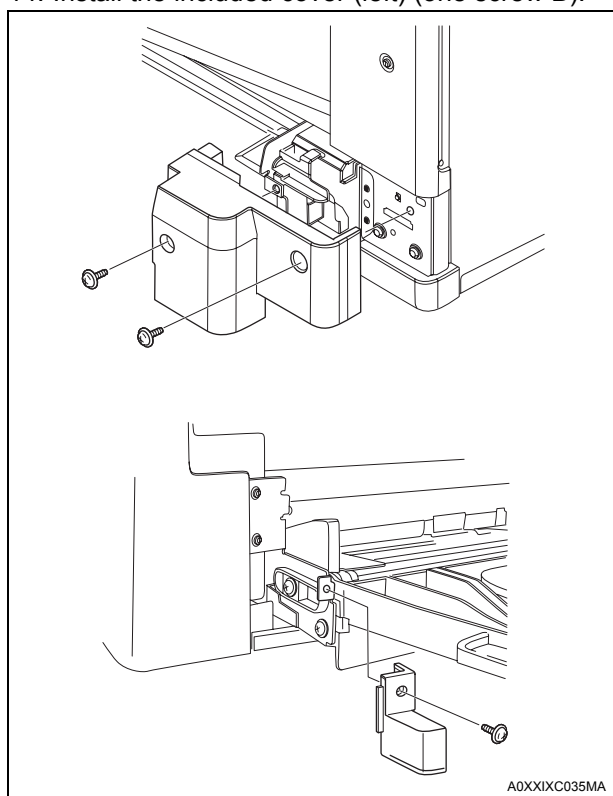
Please note that the screw C is different from the others.



12. Hook the harness that is unhooked in step 3 on the upper cover, and then install the upper cover (two screws).



13. Install the included cover (right) (two screws B).  
14. Install the included cover (left) (one screw B).



### III. Adjusting the Paper Reference Position

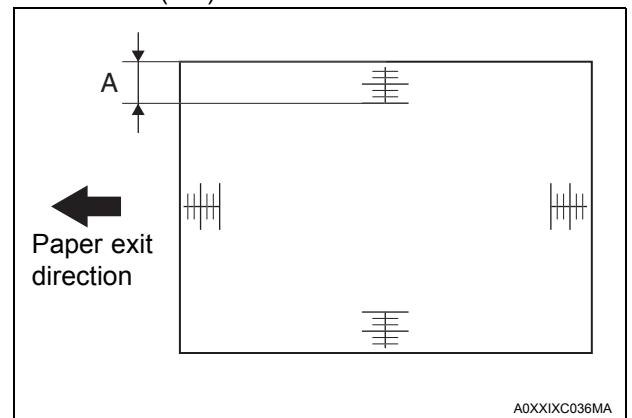
1. Turn on the power switch of the printer.
2. Load the test chart on the original glass.
3. Load paper on the multi bypass tray.
4. Enter the service mode on the display.  
(Refer to the Service Manual to display the service mode screen.)
5. Press the [+] or [-] key to select "ADJUST" from the menu.
6. Press the [Menu/Select] key.
7. Press the [+] or [-] key to select the paper size.

**Note:**

Select "(BYPASS)" for the paper tray.

8. Press the [Menu/Select] key.
9. Press the [+] or [-] key to select "TEST COPY" on the display.
10. Press [Menu/Select] key to copy the test chart.
11. Measure the width A from the edge of the paper to the pattern printed on the test print and check that it falls within the specified range.

Width A (CD):  $\pm 1.5$  mm



12. If the width A falls outside the specified range, in step 9, select "ADJUST" by pressing the [+] or [-] key.
13. Press [Menu/Select] key.
14. Press the [+] or [-] key to select the correction value.  
Width A > The specification: 80 to 99  
Width A < The specification: 101 to 120
15. Press the [Menu/Select] key.
16. Copy another test chart as shown in step 9 to step 11 to see if the width A falls within the specified range.