

Dual In-Line Memory Module (DIMM)



You may need additional memory (DIMM) for complex graphics and for duplex (double-sided) printing.



This machine detects only half of the amount of the installed memory. Dual in-line memory module (or DIMM) is compact circuit board with surface-mount memory chips.

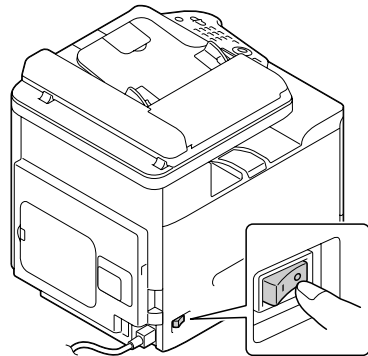
There is 384 MB (Printer: 256 MB, Copier: 128 MB) of onboard memory and one available memory expansion slot. The memory can be expanded to a maximum of 896 MB (384 MB + 512MB).

Installing a DIMM

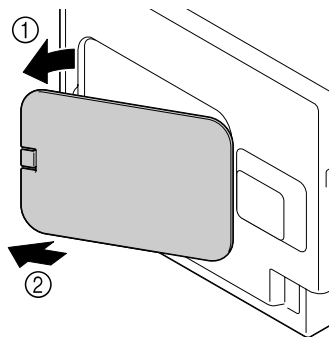
Note

It's very important to protect the printer controller board and any associated circuit boards from electrostatic damage. Before performing this procedure, review the antistatic caution on page 11-3. In addition, always handle circuit boards by the edges only.

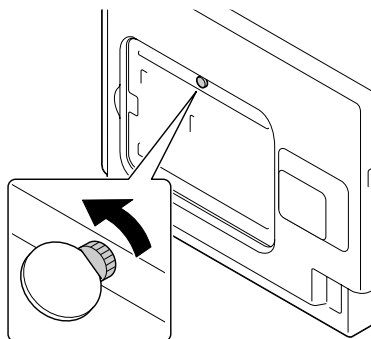
- 1 Turn off the machine and disconnect the power cord and interface cables.



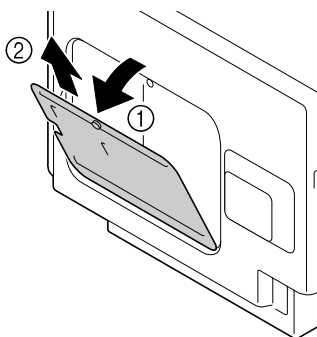
2 Remove the rear cover.



3 Using a coin, remove a screw.



4 Open the cover.



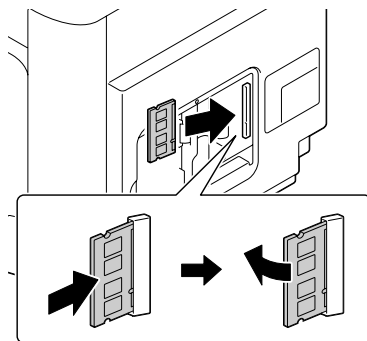
- 5 Insert the DIMM at an angle (about 45°) into the connector, making sure that the notch on the unit aligns with the tab on connector, and then press down carefully until it clicks into place.



Be sure to handle the DIMM by the edges only.



You will hear a click when the DIMM is properly placed.



- 6 Attach the cover, and then tighten the screw.
- 7 Close the rear cover.
- 8 Reconnect all interface cables.
- 9 Reconnect the power cord, and turn on the machine.
- 10 Declare the additional memory in the Windows printer driver ([Properties]/[Configure] tab).
- 11 Print a configuration page ([REPORT/STATUS]/[REPORT]/[CONFIGURATION PAGE]) and verify that the total amount of the RAM installed in this machine is listed.