

Hard Disk Kit HD-P03

If you install a Hard Disk Kit HD-P03, the followings can be performed:

- Job printing/saving
- Fonts/forms/color profile download
- User Authentication
- Direct printing
- Collate printing
- XPS printing



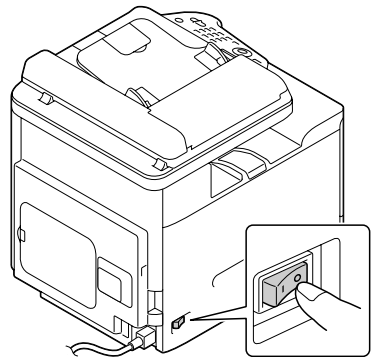
A Hard Disk Kit HD-P03 and a CF Adapter MK-725 cannot be installed simultaneously.

Installing the Hard Disk Kit HD-P03

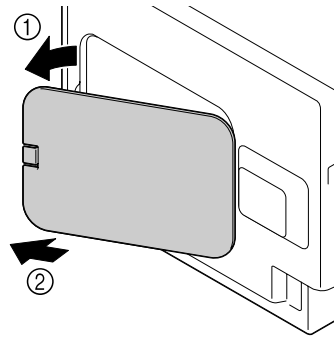
Note

It's very important to protect the printer controller board and any associated circuit boards from electrostatic damage. Before performing this procedure, review the antistatic caution on page 11-3. In addition, always handle circuit boards by the edges only.

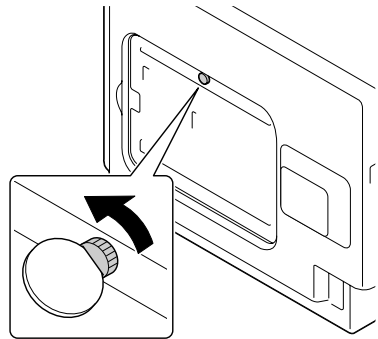
- 1 Turn off the machine and disconnect the power cord and interface cables.



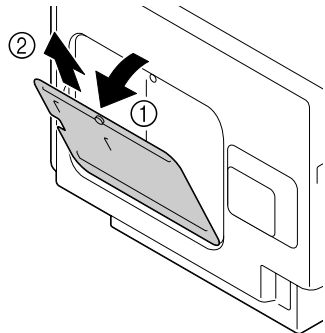
2 Remove the rear cover.



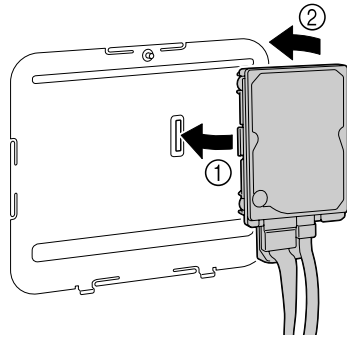
3 Using a coin, remove a screw.



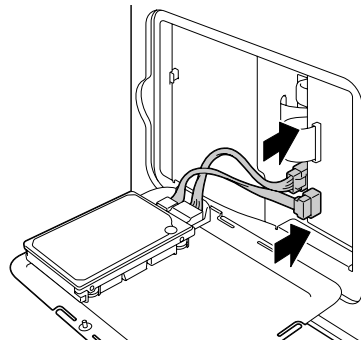
4 Open the cover.



- 5** Attach Hard Disk Kit HD-P03 to the back of the cover.



- 6** Plug the two cables on the Hard Disk Kit HD-P03 into the connector.



- 7** Attach the cover, and then tighten the screw.
8 Close the rear cover.
9 Reconnect all interface cables.
10 Reconnect the power cord, and turn on the machine.
11 Declare the Hard Disk in the Windows printer driver ([Properties]/[Configure] tab).