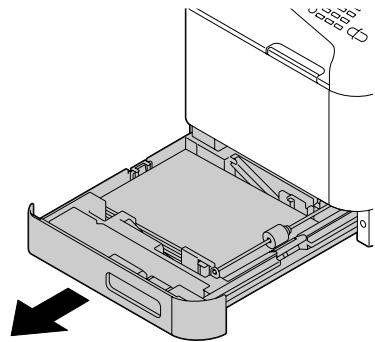


Laser Lens

This machine is constructed with four laser lenses. Clean all lenses as described below. The laser lens cleaning tool should be attached to the inside of the tray 2.

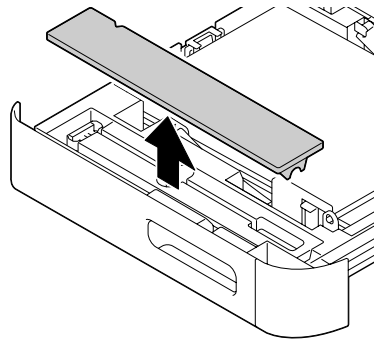
- 1 Pull out the tray 2.



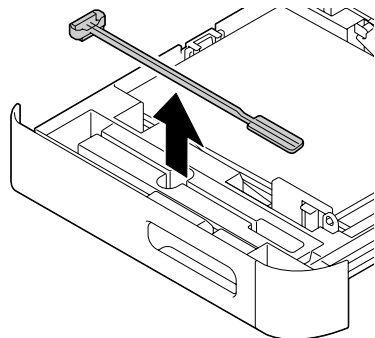
- 2 Remove the cover.



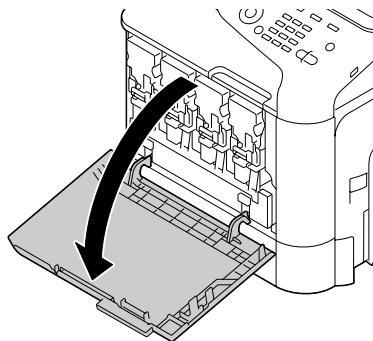
Since the cover will be used later, do not return it to its original position.



- 3 Remove the cleaning tool from the tray 2.



- 4 Close the tray 2.
- 5 Open the machine's front cover.



- 6 Remove the waste toner bottle and the toner cartridge and imaging unit for the color of laser lens to be cleaned.



For details on removing the toner cartridge, imaging unit or waste toner bottle, refer to "Replacing a Toner Cartridge" on page 8-5 or "Replacing an Imaging Unit" on page 8-10.

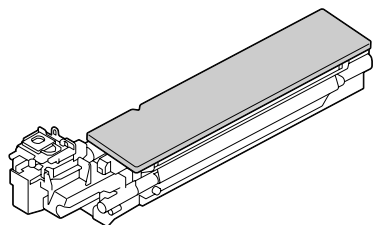
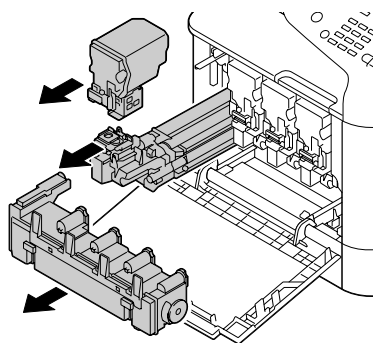


Do not tilt removed toner cartridge, otherwise toner may spill.



Do not tilt removed waste toner box, otherwise waste toner may spill.

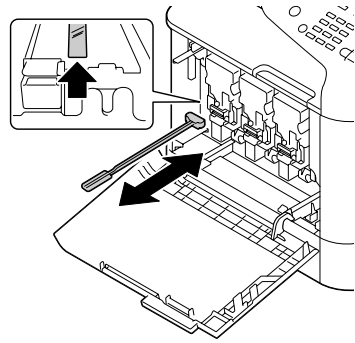
- 7 Attach the cover to the removed imaging unit.



- 8** Insert the laser lens cleaning tool into the imaging unit opening, pull it out, and then repeat this back and forth movement 2 or 3 times.



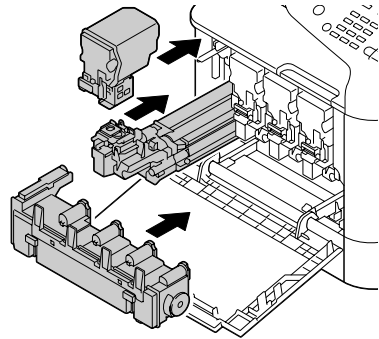
Make sure that the sponge side faces down.



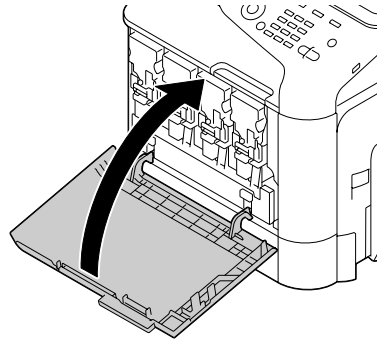
- 9** Install the removed toner cartridge, imaging unit and waste toner bottle.



For details on installing the toner cartridge, imaging unit or waste toner bottle, refer to "Replacing a Toner Cartridge" on page 8-5 or "Replacing an Imaging Unit" on page 8-10.

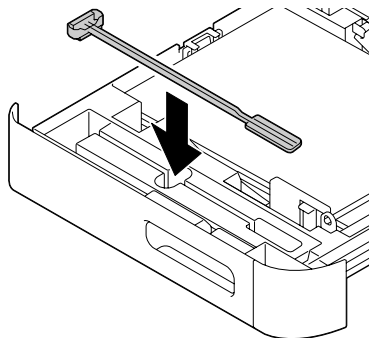


- 10** Close the front cover.

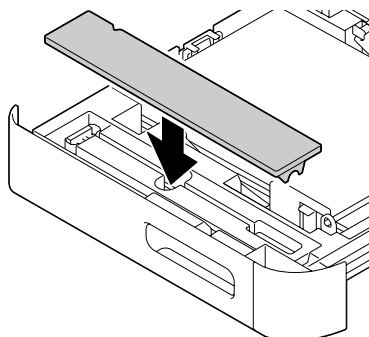


- 11** Pull out the tray 2.

- 12 Return the laser lens cleaning tool to its holder on the inside of the tray 2.



- 13 Close the cover.



- 14 Close the tray 2.

- 15 Clean between each of the laser lenses in the same way.



*The laser lens cleaning tool is included with the machine.
Safely store the laser lens cleaning tool so that it will not be lost.*