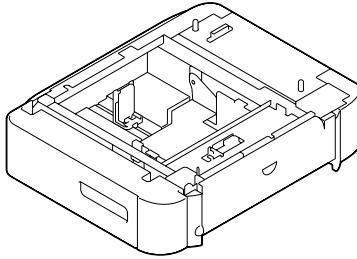


Lower Feeder Unit PF-P09

You can install up to one optional Lower Feeder Unit PF-P09 (Tray 3). The Lower Feeder Unit PF-P09 increases your machine's media feed capacity by 500 sheets.

Kit Contents

- Lower Feeder Unit PF-P09 with a tray (500-sheet capacity)

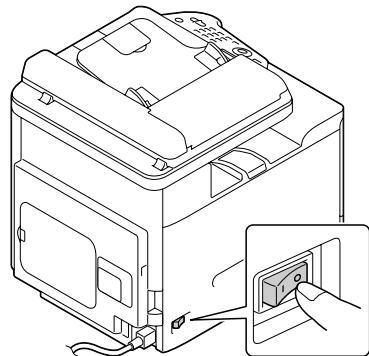


Installing Lower Feeder Unit PF-P09

Note

Since consumables are installed in the machine, be sure to keep the machine level when moving it in order to prevent accidental spills.

- 1 Turn off the machine and disconnect the power cord and interface cables.

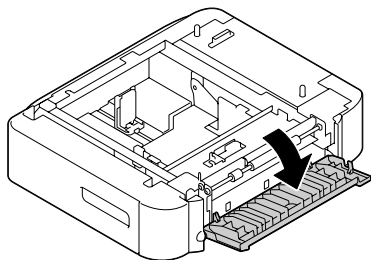


- 2 Prepare the Lower Feeder Unit PF-P09.



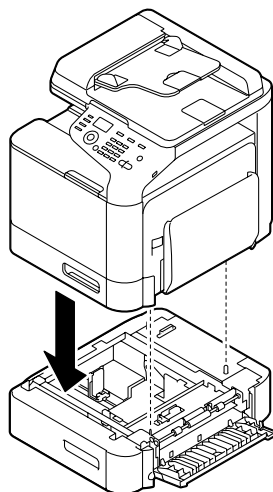
Be sure to place the Lower Feeder Unit PF-P09 on a level surface.

- 3 Open the right side cover of the Lower Feeder Unit PF-P09.



The right side cover of the lower feeder must be opened before the feeder can be installed onto the machine.

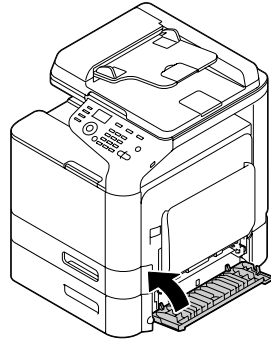
- 4 With another person's help, place the machine on top of the Lower Feeder Unit PF-P09, making sure that the positioning pins on the Lower Feeder Unit PF-P09 correctly fit into the holes on the bottom of the machine.



WARNING!

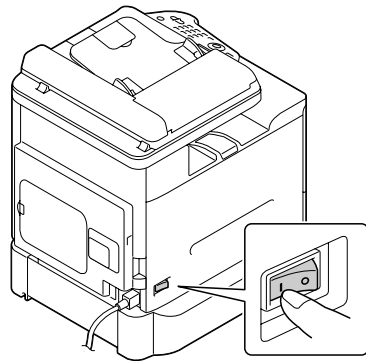
This machine weighs approximately 32 kg (70.5 lb) when it is fully loaded with consumables. The machine must be lifted by two people.

- 5** Close the right side cover of the Lower Feeder Unit PF-P09.



- 6** Reconnect all interface cables.

- 7** Reconnect the power cord, and turn on the machine.



- 8** Declare the Tray 3 in the Windows printer driver ([Properties]/[Configure] tab).