

## 14. SOFT SWITCH SET

### 14.1 Description

This machine is equipped with totally 64 soft switches that are used for fax adjustment in order to conform to the standard of each country. The default setting is changeable.

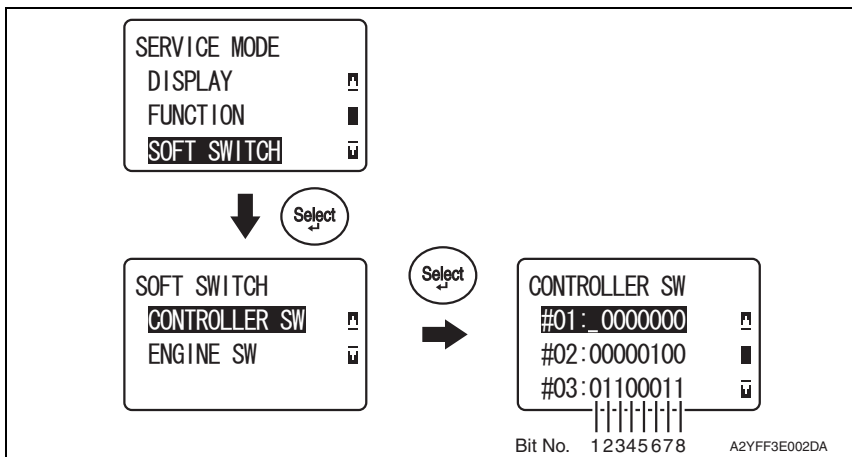
The default setting of soft switch is automatically changed according to the following settings.

- The marketing area is set in procedures of [UTILITY] → [ADMIN. MANAGEMENT] → [USER SETTING] → [PTT SETTING].
- The marketing area is set at [PTT Setting] by using LSU utility software.
- When the setting is made in the procedures of [SERVICE MODE] → [CLEAR DATA] → [SRAM CLEAR], the default setting is defined according to the current setting of marketing area.

Bit No. can be changed with the following way.

- [SERVICE MODE] → [SOFT SWITCH] → [CONTROLLER SW].

See P.156



| Hex-binary conversion list |       | HEX |   |   |   |   |   |   |   |   |   |   |   |   |   |   |   |
|----------------------------|-------|-----|---|---|---|---|---|---|---|---|---|---|---|---|---|---|---|
|                            |       | 0   | 1 | 2 | 3 | 4 | 5 | 6 | 7 | 8 | 9 | A | B | C | D | E | F |
| Bit No.                    | 4 (8) | 0   | 0 | 0 | 0 | 0 | 0 | 0 | 0 | 1 | 1 | 1 | 1 | 1 | 1 | 1 | 1 |
|                            | 3 (7) | 0   | 0 | 0 | 0 | 1 | 1 | 1 | 1 | 0 | 0 | 0 | 0 | 1 | 1 | 1 | 1 |
|                            | 2 (6) | 0   | 0 | 1 | 1 | 0 | 0 | 1 | 1 | 0 | 0 | 1 | 1 | 0 | 0 | 1 | 1 |
|                            | 1 (5) | 0   | 1 | 0 | 1 | 0 | 1 | 0 | 1 | 0 | 1 | 0 | 1 | 0 | 1 | 0 | 1 |

## 14.2 Default setting

### 14.2.1 Country for each marketing area

#### NOTE

- A different country may be applicable depending on the communications standard.
- The marketing area settings is set in the procedure of [UTILITY] → [ADMIN. MANAGEMENT] → [USER SETTING] → [PTT SETTING].

### 14.2.2 Soft switch list

| Soft Switch No. | Bit No. | Designation  | Page No. |
|-----------------|---------|--|----------|
| #01             | 3       | Start key default for N-Scan   | P.209    |
|                 | 2/1     | V.34 CI signal byte number   |          |
| #02             | 8/7     | Time between phase C to phase D signal in V.17                       | P.210    |
|                 | 6       | Header TX selection open to user                                     |          |
|                 | 5       | Confirm fax No.  |          |
|                 | 3/2     | Transmit RTN/RTP/MCF signal level criteria                           |          |
|                 | 1       | Sent N.G page  |          |
| #03             | 8       | Send out NSF frame with station ID                                   | P.211    |
|                 | 7       | Number of Pause within phone number                                  |          |
|                 | 6       | Re-dial prohibit for no answer                                       |          |
|                 | 4/3/2/1 | RX level setting   |          |
| #04             | 4       | Visible alarm for RTN signal   | P.212    |
|                 | 3       | Audible alarm for RTN signal   |          |
|                 | 2/1     | Pulse shape  |          |
| #05             | 8/7     | Push button ON/OFF timing (PB)                                       | P.213    |
|                 | 6/5     | Relation between 10 key # & No. of dial pulse                        |          |
|                 | 4       | 10 PPS/20 PPS  |          |
|                 | 3/2/1   | PPS ratio  |          |
| #06             | 5       | The time switch line to external phone after dialing the last digits | P.214    |
| #07             | 8       | Dial tone or busy tone detection                                     | P.214    |
|                 | 7       | PSTN/PBX setting   |          |
|                 | 6       | PBX dial tone detect   |          |
|                 | 5       | Dial mode select   |          |
|                 | 4/3/2/1 | TX level select for PSK/FSK  |          |
| #08             | 7       | Detect busy tone after dialing                                       | P.215    |
|                 | 6       | Sending CED signal after connection                                  |          |
| #09             | 8/7     | Ringer frequency detection   | P.215    |
|                 | 5       | TSI/CSI append "+"   |          |
|                 | 2/1     | Time from RX DIS signal to send DCS signal                           |          |

| Soft Switch No. | Bit No. | Designation  | Page No. |
|-----------------|---------|--|----------|
| #10             | 8       | Print out RTN page report  | P.216    |
|                 | 7       | Confirmation report result field                                       |          |
|                 | 6/5     | Get gap time between digit for pulse dial                              |          |
|                 | 3       | Received DIS signal within reception                                   |          |
|                 | 2       | Transmission time limitation   |          |
|                 | 1       | Audio alarm after communication fail                                   |          |
| #11             | 7       | Detect dial tone after pre-fix number                                  | P.217    |
|                 | 6       | Pulse dial allowed to select   |          |
|                 | 5       | Protocol signal display mode   |          |
|                 | 2       | USB port number fixed  |          |
|                 | 1       | DTMF low frequency compensation  |          |
| #12             | 8       | ECM mode capability  | P.218    |
|                 | 7/6     | V.34 fall back counter for V.34 TX                                     |          |
|                 | 5       | Send CTC after 4th PPR   |          |
|                 | 3       | Send EOR after lowest speed  |          |
|                 | 2/1     | TCF transmission timing after DCS signal                               |          |
| #13             | 8       | MR capability for G3   | P.219    |
|                 | 7/6     | Delay time between transaction   |          |
|                 | 5       | Super fine printing capability for receiving                           |          |
|                 | 3       | DTS mode   |          |
|                 | 2       | Send DTC signal if RX DIS signal in manual RX mode (no function on G4) |          |
| #14             | 6       | Memory size level to RX  | P.219    |
|                 | 5/4     | Impedance  |          |
|                 | 3/2/1   | Time between V.34 ANSam signal and FSK DIS signal                      |          |
| #15             | —       | Reserved   | P.220    |
| #16             | 2/1     | Fax communication coding method  | P.220    |
| #17             | 6       | CED frequency  | P.221    |
|                 | 5/4/3   | Pause between off hook and CED signal                                  |          |
|                 | 2/1     | Inactivity timer [T5]  |          |
| #18             | 6/5     | G3 mode training quality level   | P.222    |
|                 | 4/3/2/1 | Redefine re-dial attempts counter                                      |          |
| #19             | 8/7/6/5 | CNG signal level   | P.223    |
|                 | 4/3/2/1 | DTMF high frequency level  |          |
| #20             | 8/7/6   | Max. ring off time   | P.223    |
| #21             | 8       | NSS signal before DCS  | P.224    |
|                 | 7/6     | CNG sending duration after dialing                                     |          |
|                 | 5       | T4 timer   |          |
|                 | 4       | VOIP (Voice over IP)   |          |
|                 | 3       | DIS signal length  |          |
|                 | 2/1     | Increase default T1 timing during calling (Only for TX function)       |          |
| #22             | 4/3/2/1 | CED signal output level  | P.225    |

| Soft Switch No. | Bit No.           | Designation  | Page No. |
|-----------------|-------------------|--|----------|
| #23             | 4/3/2/1           | DTMF low frequency level   | P.225    |
| #24             | 8                 | Ring cadence   | P.226    |
|                 | 7/6/5/<br>4/3/2/1 | Re-dial interval   |          |
| #25             | 6/5               | Delay time to catch line after detect ring                                     | P.229    |
|                 | 4/3               | Flash key time   |          |
|                 | 2/1               | RX gain adjustment   |          |
| #26             | 8/7               | Dial tone detection time before disconnected                                   | P.229    |
| #27             | —                 | Reserved   | P.230    |
| #28             | 8/7/6/5           | Time to dial after dial tone on the line                                       | P.230    |
|                 | 4/3/2/1           | CED duration time within calling period  |          |
| #29             | 5/4/3/<br>2/1     | Time to dial after seize the line when dial tone detection                     | P.231    |
| #30             | 8/7               | Pause delay time within digits   | P.232    |
| #31             | 7/6/5             | Min re-dial interval   | P.232    |
|                 | 4/3/2/1           | Max. re-dial attempts  |          |
| #32             | 8                 | Toner type (PA model only)   | P.233    |
|                 | 7                 | USB ID (PA model only)   |          |
|                 | 6                 | Phone book sequence  |          |
|                 | 5                 | N-Scan report  |          |
|                 | 4/3/2/1           | Adjust V.34 RX connection speed threshold                                      |          |
| #33             | 8                 | Handset detects method in manual dial  | P.234    |
|                 | 7                 | V.17 echo protection tone  |          |
|                 | 6                 | V.29 echo protection tone  |          |
|                 | 5                 | Compromise equalize enable (CEQ) in the transmit path (TCEQ)                   |          |
|                 | 4                 | Compromise equalize enable (CEQ) in the receiver path (RCEQ)                   |          |
| #34             | —                 | Reserved   | P.234    |
| #35             | 8/7               | Dial tone table switch time  | P.235    |
|                 | 6/5/4             | Dial tone frequency upper range index  |          |
|                 | 3/2/1             | Dial tone frequency low range index  |          |
| #36             | 8                 | Re-dial attempts continue fail counter (Using for detect line problem error)   | P.236    |
|                 | 4/3/2/1           | Re-dial attempts fail limitation counter (Using for detect line problem error) |          |
| #37             | 7                 | Auto dial learning for V.34 modem  | P.237    |
|                 | 6/5/4             | RX start symbol rate for V.34 modem  |          |
|                 | 3/2/1             | TX start symbol rate for V.34 modem  |          |
| #38             | 6/5               | V.34 flag number between ECM frame   | P.237    |
|                 | 4                 | Phase 2 guard tone power level (V.34)  |          |
|                 | 3/2               | Host detects ringing status in low frequency or one cycle                      |          |
|                 | 1                 | V.8 /V.34 capability   |          |

| Soft Switch No. | Bit No. | Designation   | Page No. |
|-----------------|---------|---|----------|
| #39             | 8       | Disable V.34 TX for V.34 modem  | P.238    |
|                 | 7       | Disable V.34 RX for V.34 modem  |          |
|                 | 6/5     | Flags number in FSK for V.34 modem                                      |          |
|                 | 4       | Manual TX mode for V.34 modem   |          |
|                 | 3       | Switch from V.17 to V.34 if DIS Bit 6 set after received DIS            |          |
|                 | 2/1     | Delay time in primary channel for V.34 transmit after CFR or MCF signal |          |
| #40             | 8/7/6/5 | V.17 RX start speed select receiving start speed for V.17               | P.239    |
|                 | 3/2/1   | V.34 RX start speed prohibit V.34 mode when upper speed less            |          |
| #41             | 8/7/6/5 | V.17 TX start speed select receiving start speed for V.17               | P.240    |
|                 | 3/2/1   | V.34 TX start speed prohibit V.34 mode when upper speed less            |          |
| #42             | —       | Reserved  | P.241    |
| #43             | —       | Reserved  | P.241    |
| #44             | —       | Reserved  | P.241    |
| #45             | 5       | Call transfer   | P.242    |
|                 | 4/3/2/1 | No. of call transfer  |          |
| #46             | 7       | Daylight savings timer (Manual)   | P.242    |
|                 | 4       | RX print mode   |          |
|                 | 3       | Default TX mode   |          |
|                 | 2       | Header for FAX TX   |          |
|                 | 1       | Print model name on top of TX page if name not register                 |          |
| #47             | 6       | RX mode   | P.243    |
|                 | 5       | Footer  |          |
| #48             | 8       | Activity report   | P.243    |
|                 | 7/6     | TX result report  |          |
|                 | 5/4     | RX result report  |          |
| #49             | 5       | Re-dial method if Comm. Fail  | P.244    |
|                 | 4/3/2/1 | No. of rings  |          |
| #50             | 8       | Transmit or cancel after time out in "Memory TX"                        | P.244    |
|                 | 6/5/4   | Min. ring on time   |          |
|                 | 3/2/1   | Min. ring off time  |          |
| #51             | 6/5     | Max pages of T30 monitor report   | P.245    |
|                 | 4/3     | T30 monitor report selection  |          |
|                 | 2       | Send unsent page mode for memory transmission                           |          |
| #52             | —       | Reserved  | P.245    |
| #53             | —       | Reserved  | P.246    |
| #54             | 8       | Report Date/Time type   | P.246    |
|                 | 7/6     | Report Date/Time format   |          |
|                 | 5/4     | Memory near full capacity for Fax and I-Fax scanning                    |          |
|                 | 3/2     | Memory near full capacity for N-Scan scanning                           |          |
| #55             | 8/7/6   | DC characteristics  | P.247    |
|                 | 1       | Fast dege pulse dial  |          |

bizhub C25

ADJUSTMENT / SETTING

| Soft Switch No. | Bit No.         | Designation  | Page No. |
|-----------------|-----------------|--|----------|
| #56             | 8/7/6/5         | Pulse dial setup (\$74C)                                       | P.247    |
|                 | 4/3/2/1         | Pulse clear (\$74D)  |          |
| #57             | 5               | Compensation for loading from bridge capacitor                 | P.248    |
|                 | 3/2/1           | Resistance for pulse dialing                                   |          |
| #58             | 8               | Time out from PSK to FSK delay time                            | P.248    |
| #59             | 6/5/4/<br>3/2/1 | Time Between GMT (Greenwich Mean Time)                         | P.249    |
| #60             | 6               | Quick memory TX  | P.252    |
|                 | 2               | Off hook alarm after communication                             |          |
|                 | 1               | Display destination selection within TX phase C                |          |
| #61             | 4/3/2/1         | Max. No. of ring   | P.252    |
| #62             | —               | Reserved   | P.253    |
| #63             | 8               | "#" key definition in PBX mode                                 | P.253    |
|                 | 2               | Fax TX image adjust  |          |
|                 | 1               | TX result report with image                                    |          |
| #64             | 6               | Print RX error report in RX side if no any FAX signal detected | P.254    |
|                 | 5               | 10 PPS & 20 PPS selectable by user                             |          |

14.2.3 Default soft switch setting for each market area

A. Market area 1

| Soft Switch No. | Marketing area |   |   |   |   |   |   |   |                |   |   |   |   |   |   |   |           |   |   |   |   |   |   |   |           |   |   |   |   |   |   |   |   |   |   |   |   |   |   |   |   |   |
|-----------------|----------------|---|---|---|---|---|---|---|----------------|---|---|---|---|---|---|---|-----------|---|---|---|---|---|---|---|-----------|---|---|---|---|---|---|---|---|---|---|---|---|---|---|---|---|---|
|                 | U.S.A          |   |   |   |   |   |   |   | United Kingdom |   |   |   |   |   |   |   | Argentina |   |   |   |   |   |   |   | Australia |   |   |   |   |   |   |   |   |   |   |   |   |   |   |   |   |   |
|                 | Bit No.        |   |   |   |   |   |   |   | Bit No.        |   |   |   |   |   |   |   | Bit No.   |   |   |   |   |   |   |   | Bit No.   |   |   |   |   |   |   |   |   |   |   |   |   |   |   |   |   |   |
|                 | 1              | 2 | 3 | 4 | 5 | 6 | 7 | 8 | 1              | 2 | 3 | 4 | 5 | 6 | 7 | 8 | 1         | 2 | 3 | 4 | 5 | 6 | 7 | 8 | 1         | 2 | 3 | 4 | 5 | 6 | 7 | 8 |   |   |   |   |   |   |   |   |   |   |
| #01             | 1              | 0 | 0 | 0 | 0 | 0 | 0 | 0 | 1              | 0 | 0 | 0 | 0 | 0 | 0 | 0 | 0         | 1 | 0 | 0 | 0 | 0 | 0 | 0 | 0         | 0 | 1 | 0 | 0 | 0 | 0 | 0 | 0 | 0 |   |   |   |   |   |   |   |   |
| #02             | 0              | 0 | 0 | 0 | 0 | 0 | 0 | 0 | 0              | 0 | 0 | 0 | 0 | 0 | 0 | 1 | 0         | 0 | 0 | 0 | 0 | 0 | 0 | 0 | 0         | 0 | 0 | 0 | 0 | 0 | 0 | 1 | 0 | 0 | 0 |   |   |   |   |   |   |   |
| #03             | 0              | 1 | 1 | 0 | 0 | 0 | 0 | 1 | 0              | 1 | 0 | 0 | 0 | 0 | 1 | 1 | 0         | 1 | 0 | 0 | 0 | 0 | 0 | 1 | 0         | 1 | 0 | 1 | 0 | 0 | 0 | 1 | 1 | 0 | 0 | 1 |   |   |   |   |   |   |
| #04             | 0              | 0 | 1 | 1 | 0 | 0 | 0 | 0 | 1              | 0 | 1 | 1 | 0 | 0 | 0 | 0 | 0         | 0 | 0 | 0 | 0 | 0 | 0 | 0 | 0         | 0 | 1 | 0 | 1 | 1 | 0 | 0 | 0 | 0 | 0 | 0 |   |   |   |   |   |   |
| #05             | 0              | 1 | 0 | 0 | 0 | 0 | 0 | 0 | 0              | 1 | 0 | 0 | 0 | 0 | 0 | 1 | 1         | 0 | 0 | 0 | 0 | 0 | 0 | 0 | 0         | 0 | 0 | 0 | 0 | 0 | 0 | 0 | 0 | 1 | 1 | 0 | 0 |   |   |   |   |   |
| #06             | 0              | 0 | 0 | 0 | 0 | 0 | 0 | 0 | 0              | 0 | 0 | 0 | 0 | 0 | 0 | 0 | 0         | 0 | 0 | 0 | 0 | 0 | 0 | 0 | 0         | 0 | 0 | 0 | 0 | 0 | 0 | 0 | 0 | 0 | 0 | 0 | 0 |   |   |   |   |   |
| #07             | 1              | 1 | 1 | 0 | 0 | 0 | 0 | 0 | 0              | 1 | 1 | 1 | 0 | 0 | 0 | 0 | 1         | 1 | 1 | 0 | 0 | 0 | 0 | 0 | 0         | 0 | 0 | 1 | 1 | 1 | 0 | 0 | 0 | 0 | 0 | 0 | 1 |   |   |   |   |   |
| #08             | 0              | 0 | 0 | 0 | 0 | 1 | 1 | 0 | 0              | 0 | 0 | 0 | 0 | 1 | 1 | 0 | 0         | 0 | 0 | 0 | 1 | 1 | 0 | 0 | 0         | 0 | 0 | 0 | 0 | 0 | 0 | 1 | 1 | 0 | 0 | 0 | 1 | 1 |   |   |   |   |
| #09             | 0              | 0 | 0 | 0 | 0 | 0 | 0 | 0 | 0              | 0 | 0 | 0 | 1 | 0 | 0 | 0 | 0         | 0 | 0 | 0 | 0 | 0 | 0 | 0 | 0         | 0 | 0 | 0 | 0 | 0 | 1 | 0 | 0 | 0 | 0 | 0 | 0 | 0 |   |   |   |   |
| #10             | 1              | 0 | 0 | 0 | 0 | 1 | 0 | 1 | 1              | 1 | 1 | 0 | 1 | 1 | 1 | 1 | 1         | 1 | 0 | 0 | 0 | 0 | 1 | 0 | 1         | 1 | 1 | 1 | 0 | 1 | 1 | 1 | 0 | 1 | 1 | 0 | 1 | 0 | 1 |   |   |   |
| #11             | 0              | 0 | 0 | 0 | 0 | 1 | 0 | 0 | 0              | 0 | 0 | 0 | 0 | 0 | 0 | 0 | 0         | 0 | 0 | 0 | 0 | 0 | 0 | 0 | 0         | 0 | 0 | 0 | 0 | 0 | 0 | 0 | 0 | 0 | 0 | 0 | 0 | 0 | 0 |   |   |   |
| #12             | 0              | 0 | 0 | 0 | 0 | 0 | 0 | 1 | 0              | 0 | 1 | 0 | 0 | 0 | 0 | 0 | 1         | 0 | 0 | 0 | 0 | 0 | 0 | 0 | 0         | 0 | 0 | 0 | 0 | 0 | 0 | 0 | 0 | 0 | 0 | 0 | 0 | 0 | 1 |   |   |   |
| #13             | 0              | 0 | 0 | 0 | 1 | 0 | 0 | 0 | 0              | 0 | 0 | 0 | 0 | 0 | 0 | 0 | 0         | 0 | 0 | 0 | 0 | 0 | 0 | 0 | 0         | 0 | 0 | 0 | 0 | 0 | 0 | 0 | 0 | 0 | 0 | 0 | 0 | 0 | 0 |   |   |   |
| #14             | 0              | 1 | 0 | 0 | 1 | 0 | 0 | 0 | 0              | 0 | 1 | 0 | 0 | 0 | 0 | 0 | 0         | 0 | 1 | 0 | 0 | 0 | 0 | 0 | 0         | 0 | 0 | 0 | 1 | 0 | 0 | 0 | 0 | 0 | 0 | 0 | 0 | 0 | 0 |   |   |   |
| #15             | 0              | 0 | 0 | 0 | 0 | 0 | 0 | 0 | 0              | 0 | 0 | 0 | 0 | 0 | 0 | 0 | 0         | 0 | 0 | 0 | 0 | 0 | 0 | 0 | 0         | 0 | 0 | 0 | 0 | 0 | 0 | 0 | 0 | 0 | 0 | 0 | 0 | 0 | 0 | 1 |   |   |
| #16             | 1              | 1 | 0 | 0 | 0 | 0 | 0 | 0 | 0              | 0 | 1 | 1 | 0 | 0 | 0 | 0 | 0         | 0 | 0 | 0 | 0 | 0 | 0 | 0 | 0         | 0 | 0 | 0 | 0 | 0 | 0 | 0 | 0 | 0 | 0 | 0 | 0 | 0 | 0 | 0 |   |   |
| #17             | 0              | 0 | 0 | 0 | 0 | 0 | 0 | 0 | 0              | 0 | 0 | 0 | 0 | 0 | 0 | 0 | 0         | 0 | 0 | 0 | 0 | 0 | 0 | 0 | 0         | 0 | 0 | 0 | 0 | 0 | 0 | 0 | 0 | 0 | 0 | 0 | 0 | 0 | 0 | 0 |   |   |
| #18             | 1              | 0 | 0 | 0 | 0 | 0 | 0 | 0 | 0              | 0 | 0 | 0 | 0 | 0 | 0 | 0 | 0         | 0 | 0 | 0 | 0 | 0 | 0 | 0 | 0         | 0 | 0 | 0 | 0 | 0 | 0 | 0 | 0 | 0 | 0 | 0 | 0 | 0 | 0 | 0 |   |   |
| #19             | 0              | 0 | 0 | 1 | 1 | 1 | 1 | 0 | 1              | 1 | 0 | 1 | 1 | 1 | 1 | 0 | 1         | 1 | 0 | 1 | 1 | 1 | 1 | 0 | 0         | 0 | 0 | 1 | 1 | 1 | 1 | 0 | 0 | 0 | 0 | 1 | 1 | 1 | 0 | 0 |   |   |
| #20             | 0              | 0 | 0 | 0 | 0 | 1 | 1 | 1 | 0              | 0 | 0 | 0 | 0 | 0 | 0 | 1 | 1         | 0 | 0 | 0 | 0 | 0 | 0 | 0 | 0         | 0 | 0 | 0 | 0 | 0 | 0 | 0 | 0 | 0 | 0 | 0 | 0 | 0 | 0 | 0 | 0 |   |
| #21             | 0              | 0 | 0 | 0 | 0 | 0 | 0 | 1 | 0              | 0 | 0 | 0 | 0 | 0 | 0 | 1 | 1         | 0 | 0 | 0 | 0 | 0 | 0 | 0 | 0         | 0 | 0 | 0 | 0 | 0 | 0 | 0 | 0 | 0 | 0 | 0 | 0 | 0 | 0 | 0 | 0 |   |
| #22             | 1              | 1 | 1 | 0 | 0 | 0 | 0 | 0 | 0              | 1 | 1 | 1 | 0 | 0 | 0 | 0 | 0         | 0 | 0 | 0 | 0 | 0 | 0 | 0 | 0         | 0 | 0 | 0 | 0 | 0 | 0 | 0 | 0 | 0 | 0 | 0 | 0 | 0 | 0 | 0 | 0 |   |
| #23             | 0              | 0 | 1 | 0 | 0 | 0 | 0 | 0 | 0              | 0 | 1 | 0 | 0 | 0 | 0 | 0 | 0         | 0 | 0 | 0 | 0 | 0 | 0 | 0 | 0         | 0 | 0 | 0 | 0 | 0 | 0 | 0 | 0 | 0 | 0 | 0 | 0 | 0 | 0 | 0 | 0 |   |
| #24             | 0              | 1 | 0 | 0 | 0 | 0 | 0 | 0 | 0              | 0 | 0 | 0 | 0 | 0 | 0 | 0 | 0         | 0 | 0 | 0 | 0 | 0 | 0 | 0 | 0         | 0 | 0 | 0 | 0 | 0 | 0 | 0 | 0 | 0 | 0 | 0 | 0 | 0 | 0 | 0 | 0 |   |
| #25             | 0              | 1 | 0 | 0 | 0 | 0 | 0 | 0 | 0              | 0 | 0 | 0 | 0 | 0 | 0 | 0 | 0         | 0 | 0 | 0 | 0 | 0 | 0 | 0 | 0         | 0 | 0 | 0 | 0 | 0 | 0 | 0 | 0 | 0 | 0 | 0 | 0 | 0 | 0 | 0 | 0 |   |
| #26             | 0              | 0 | 0 | 0 | 0 | 0 | 0 | 0 | 0              | 0 | 0 | 0 | 0 | 0 | 0 | 0 | 0         | 0 | 0 | 0 | 0 | 0 | 0 | 0 | 0         | 0 | 0 | 0 | 0 | 0 | 0 | 0 | 0 | 0 | 0 | 0 | 0 | 0 | 0 | 0 | 0 |   |
| #27             | 0              | 0 | 0 | 0 | 0 | 0 | 0 | 0 | 0              | 0 | 0 | 0 | 0 | 0 | 0 | 0 | 0         | 0 | 0 | 0 | 0 | 0 | 0 | 0 | 0         | 0 | 0 | 0 | 0 | 0 | 0 | 0 | 0 | 0 | 0 | 0 | 0 | 0 | 0 | 0 | 0 |   |
| #28             | 1              | 1 | 1 | 0 | 0 | 1 | 0 | 1 | 0              | 1 | 1 | 1 | 0 | 1 | 0 | 1 | 0         | 1 | 1 | 1 | 0 | 0 | 1 | 0 | 1         | 1 | 1 | 0 | 1 | 0 | 1 | 0 | 1 | 1 | 0 | 1 | 0 | 1 | 1 | 0 | 1 |   |
| #29             | 0              | 0 | 1 | 0 | 1 | 0 | 0 | 0 | 0              | 0 | 0 | 0 | 0 | 0 | 0 | 0 | 0         | 0 | 0 | 0 | 0 | 0 | 0 | 0 | 0         | 0 | 0 | 0 | 0 | 0 | 0 | 0 | 0 | 0 | 0 | 0 | 0 | 0 | 0 | 0 | 0 |   |
| #30             | 0              | 0 | 0 | 0 | 0 | 0 | 0 | 1 | 0              | 0 | 0 | 0 | 0 | 0 | 0 | 1 | 0         | 0 | 0 | 0 | 0 | 0 | 0 | 0 | 0         | 0 | 0 | 0 | 0 | 0 | 0 | 0 | 0 | 0 | 0 | 0 | 0 | 0 | 0 | 0 | 0 | 0 |
| #31             | 0              | 1 | 0 | 1 | 0 | 1 | 0 | 1 | 0              | 0 | 0 | 1 | 0 | 1 | 0 | 0 | 0         | 0 | 0 | 0 | 0 | 0 | 0 | 0 | 0         | 0 | 0 | 0 | 0 | 0 | 0 | 0 | 0 | 0 | 0 | 0 | 0 | 0 | 0 | 0 | 0 | 0 |
| #32             | 1              | 0 | 1 | 1 | 0 | 0 | 0 | 0 | 0              | 0 | 1 | 0 | 1 | 1 | 0 | 0 | 0         | 0 | 0 | 0 | 0 | 0 | 0 | 0 | 0         | 0 | 0 | 0 | 0 | 0 | 0 | 0 | 0 | 0 | 0 | 0 | 0 | 0 | 0 | 0 | 0 | 0 |
| #33             | 0              | 0 | 0 | 0 | 0 | 0 | 0 | 1 | 0              | 0 | 0 | 0 | 0 | 0 | 0 | 0 | 0         | 0 | 0 | 0 | 0 | 0 | 0 | 0 | 0         | 0 | 0 | 0 | 0 | 0 | 0 | 0 | 0 | 0 | 0 | 0 | 0 | 0 | 0 | 0 | 0 | 0 |
| #34             | 0              | 0 | 0 | 0 | 0 | 0 | 0 | 0 | 0              | 0 | 0 | 0 | 0 | 0 | 0 | 0 | 0         | 0 | 0 | 0 | 0 | 0 | 0 | 0 | 0         | 0 | 0 | 0 | 0 | 0 | 0 | 0 | 0 | 0 | 0 | 0 | 0 | 0 | 0 | 0 | 0 | 0 |
| #35             | 0              | 0 | 0 | 0 | 0 | 0 | 1 | 0 | 1              | 0 | 0 | 0 | 0 | 0 | 1 | 0 | 0         | 0 | 0 | 0 | 0 | 0 | 0 | 0 | 0         | 0 | 0 | 0 | 0 | 0 | 0 | 0 | 0 | 0 | 0 | 0 | 0 | 0 | 0 | 0 | 0 | 0 |
| #36             | 0              | 1 | 0 | 1 | 0 | 0 | 0 | 0 | 1              | 0 | 1 | 0 | 0 | 0 | 0 | 0 | 1         | 0 | 0 | 0 | 0 | 0 | 0 | 0 | 0         | 0 | 0 | 0 | 0 | 0 | 0 | 0 | 0 | 0 | 0 | 0 | 0 | 0 | 0 | 0 | 0 | 0 |
| #37             | 0              | 0 | 0 | 0 | 0 | 0 | 0 | 0 | 0              | 0 | 0 | 0 | 0 | 0 | 0 | 0 | 0         | 0 | 0 | 0 | 0 | 0 | 0 | 0 | 0         | 0 | 0 | 0 | 0 | 0 | 0 | 0 | 0 | 0 | 0 | 0 | 0 | 0 | 0 | 0 | 0 | 0 |

bizhub C25

ADJUSTMENT / SETTING

| Soft Switch No. | Marketing area |   |   |   |   |   |   |   |                |   |   |   |   |   |   |   |           |   |   |   |   |   |   |   |           |   |   |   |   |   |   |   |   |   |   |   |
|-----------------|----------------|---|---|---|---|---|---|---|----------------|---|---|---|---|---|---|---|-----------|---|---|---|---|---|---|---|-----------|---|---|---|---|---|---|---|---|---|---|---|
|                 | U.S.A          |   |   |   |   |   |   |   | United Kingdom |   |   |   |   |   |   |   | Argentina |   |   |   |   |   |   |   | Australia |   |   |   |   |   |   |   |   |   |   |   |
|                 | Bit No.        |   |   |   |   |   |   |   | Bit No.        |   |   |   |   |   |   |   | Bit No.   |   |   |   |   |   |   |   | Bit No.   |   |   |   |   |   |   |   |   |   |   |   |
|                 | 1              | 2 | 3 | 4 | 5 | 6 | 7 | 8 | 1              | 2 | 3 | 4 | 5 | 6 | 7 | 8 | 1         | 2 | 3 | 4 | 5 | 6 | 7 | 8 | 1         | 2 | 3 | 4 | 5 | 6 | 7 | 8 |   |   |   |   |
| #38             | 1              | 0 | 0 | 0 | 0 | 1 | 0 | 0 | 1              | 0 | 0 | 0 | 0 | 1 | 0 | 0 | 1         | 0 | 0 | 0 | 0 | 1 | 0 | 0 | 0         | 0 | 1 | 0 | 0 | 0 |   |   |   |   |   |   |
| #39             | 1              | 0 | 0 | 0 | 0 | 0 | 0 | 0 | 0              | 1 | 0 | 0 | 0 | 0 | 0 | 0 | 0         | 0 | 0 | 0 | 0 | 0 | 0 | 0 | 0         | 0 | 0 | 0 | 0 | 0 |   |   |   |   |   |   |
| #40             | 0              | 0 | 0 | 0 | 0 | 0 | 0 | 0 | 0              | 0 | 0 | 0 | 0 | 0 | 0 | 0 | 0         | 0 | 0 | 0 | 0 | 0 | 0 | 0 | 0         | 0 | 0 | 0 | 0 | 0 |   |   |   |   |   |   |
| #41             | 0              | 0 | 0 | 0 | 0 | 0 | 0 | 0 | 0              | 0 | 0 | 0 | 0 | 0 | 0 | 0 | 0         | 0 | 0 | 0 | 0 | 0 | 0 | 0 | 0         | 0 | 0 | 0 | 0 | 0 |   |   |   |   |   |   |
| #42             | 0              | 0 | 0 | 0 | 0 | 0 | 0 | 0 | 0              | 0 | 0 | 0 | 0 | 0 | 0 | 0 | 0         | 0 | 0 | 0 | 0 | 0 | 0 | 0 | 0         | 0 | 0 | 0 | 0 | 0 |   |   |   |   |   |   |
| #43             | 0              | 0 | 0 | 0 | 0 | 0 | 0 | 0 | 0              | 0 | 0 | 0 | 0 | 0 | 0 | 0 | 0         | 0 | 0 | 0 | 0 | 0 | 0 | 0 | 0         | 0 | 0 | 0 | 0 | 0 |   |   |   |   |   |   |
| #44             | 0              | 0 | 0 | 0 | 0 | 0 | 0 | 0 | 0              | 0 | 0 | 0 | 0 | 0 | 0 | 0 | 0         | 0 | 0 | 0 | 0 | 0 | 0 | 0 | 0         | 0 | 0 | 0 | 0 | 0 |   |   |   |   |   |   |
| #45             | 0              | 0 | 0 | 0 | 0 | 0 | 0 | 0 | 0              | 0 | 0 | 0 | 0 | 0 | 0 | 0 | 0         | 0 | 0 | 0 | 0 | 0 | 0 | 0 | 0         | 0 | 0 | 0 | 0 | 0 |   |   |   |   |   |   |
| #46             | 0              | 1 | 0 | 1 | 0 | 0 | 0 | 0 | 0              | 0 | 1 | 0 | 1 | 0 | 0 | 0 | 0         | 0 | 0 | 0 | 0 | 0 | 0 | 0 | 0         | 0 | 1 | 0 | 1 | 0 | 0 | 0 | 0 |   |   |   |
| #47             | 0              | 0 | 0 | 0 | 0 | 0 | 0 | 0 | 0              | 0 | 0 | 0 | 0 | 0 | 0 | 0 | 0         | 0 | 0 | 0 | 0 | 0 | 0 | 0 | 0         | 0 | 0 | 0 | 0 | 0 | 0 | 0 | 0 |   |   |   |
| #48             | 0              | 0 | 0 | 1 | 0 | 1 | 0 | 1 | 0              | 1 | 0 | 0 | 0 | 1 | 0 | 1 | 0         | 1 | 0 | 1 | 0 | 0 | 0 | 1 | 0         | 1 | 0 | 1 | 0 | 1 | 0 | 1 | 0 | 1 |   |   |
| #49             | 1              | 0 | 0 | 0 | 0 | 0 | 0 | 0 | 0              | 0 | 1 | 0 | 0 | 0 | 0 | 0 | 0         | 0 | 0 | 0 | 0 | 0 | 0 | 0 | 0         | 0 | 0 | 0 | 0 | 0 | 0 | 0 | 0 |   |   |   |
| #50             | 1              | 0 | 0 | 1 | 0 | 0 | 0 | 0 | 0              | 0 | 1 | 0 | 0 | 1 | 0 | 0 | 0         | 0 | 0 | 0 | 0 | 0 | 0 | 0 | 0         | 0 | 1 | 0 | 1 | 0 | 0 | 0 | 0 |   |   |   |
| #51             | 0              | 0 | 0 | 0 | 0 | 0 | 0 | 0 | 0              | 0 | 0 | 0 | 0 | 0 | 0 | 0 | 0         | 0 | 0 | 0 | 0 | 0 | 0 | 0 | 0         | 0 | 0 | 0 | 0 | 0 | 0 | 0 | 0 |   |   |   |
| #52             | 0              | 0 | 0 | 0 | 0 | 0 | 0 | 0 | 0              | 0 | 0 | 0 | 0 | 0 | 0 | 0 | 0         | 0 | 0 | 0 | 0 | 0 | 0 | 0 | 0         | 0 | 0 | 0 | 0 | 0 | 0 | 0 | 0 | 0 |   |   |
| #53             | 0              | 0 | 0 | 0 | 0 | 0 | 0 | 0 | 0              | 0 | 0 | 0 | 0 | 0 | 0 | 0 | 0         | 0 | 0 | 0 | 0 | 0 | 0 | 0 | 0         | 0 | 0 | 0 | 0 | 0 | 0 | 0 | 0 | 0 |   |   |
| #54             | 0              | 0 | 0 | 1 | 0 | 1 | 0 | 1 | 0              | 1 | 0 | 0 | 0 | 1 | 0 | 1 | 0         | 1 | 0 | 1 | 0 | 0 | 0 | 1 | 0         | 1 | 0 | 1 | 0 | 1 | 0 | 1 | 0 | 1 |   |   |
| #55             | 1              | 0 | 0 | 0 | 0 | 1 | 0 | 0 | 0              | 0 | 0 | 0 | 0 | 0 | 0 | 1 | 0         | 0 | 0 | 0 | 0 | 0 | 0 | 0 | 0         | 0 | 0 | 0 | 0 | 1 | 1 | 0 | 0 | 0 |   |   |
| #56             | 1              | 0 | 0 | 1 | 0 | 0 | 0 | 0 | 0              | 0 | 1 | 0 | 0 | 1 | 0 | 0 | 0         | 0 | 0 | 0 | 0 | 0 | 0 | 0 | 0         | 0 | 1 | 0 | 0 | 1 | 0 | 0 | 0 | 0 |   |   |
| #57             | 0              | 0 | 0 | 0 | 1 | 0 | 0 | 0 | 0              | 0 | 0 | 0 | 0 | 0 | 0 | 0 | 0         | 0 | 0 | 0 | 0 | 0 | 0 | 0 | 0         | 0 | 1 | 0 | 0 | 0 | 0 | 0 | 0 | 0 |   |   |
| #58             | 0              | 0 | 0 | 0 | 0 | 0 | 0 | 0 | 0              | 0 | 0 | 0 | 0 | 0 | 0 | 0 | 0         | 0 | 0 | 0 | 0 | 0 | 0 | 0 | 0         | 0 | 0 | 0 | 0 | 0 | 0 | 0 | 0 | 0 | 0 |   |
| #59             | 0              | 1 | 0 | 1 | 0 | 1 | 0 | 0 | 0              | 0 | 0 | 0 | 0 | 0 | 0 | 0 | 0         | 0 | 0 | 0 | 0 | 0 | 0 | 0 | 0         | 0 | 0 | 1 | 0 | 1 | 0 | 0 | 0 | 0 | 0 |   |
| #60             | 0              | 0 | 0 | 0 | 0 | 0 | 0 | 0 | 0              | 0 | 0 | 0 | 0 | 0 | 0 | 0 | 0         | 0 | 0 | 0 | 0 | 0 | 0 | 0 | 0         | 0 | 1 | 0 | 0 | 0 | 0 | 0 | 0 | 0 | 0 |   |
| #61             | 1              | 1 | 1 | 1 | 0 | 0 | 0 | 0 | 0              | 0 | 1 | 1 | 1 | 1 | 0 | 0 | 0         | 0 | 0 | 0 | 0 | 0 | 0 | 0 | 0         | 0 | 1 | 1 | 1 | 1 | 0 | 0 | 0 | 0 | 0 |   |
| #62             | 0              | 0 | 0 | 0 | 0 | 0 | 0 | 0 | 0              | 0 | 0 | 0 | 0 | 0 | 0 | 0 | 0         | 0 | 0 | 0 | 0 | 0 | 0 | 0 | 0         | 0 | 0 | 0 | 0 | 0 | 0 | 0 | 0 | 0 | 0 |   |
| #63             | 0              | 0 | 0 | 0 | 0 | 0 | 0 | 0 | 0              | 0 | 1 | 0 | 0 | 0 | 0 | 0 | 0         | 0 | 0 | 0 | 0 | 0 | 0 | 0 | 0         | 0 | 0 | 0 | 0 | 0 | 0 | 0 | 0 | 0 | 1 | 0 |
| #64             | 0              | 0 | 0 | 0 | 0 | 0 | 0 | 0 | 0              | 0 | 0 | 0 | 0 | 0 | 0 | 0 | 0         | 0 | 0 | 0 | 0 | 0 | 0 | 0 | 0         | 0 | 0 | 0 | 0 | 0 | 0 | 0 | 0 | 0 | 0 | 0 |



**B. Market area 2**

| Soft Switch No. | Marketing area |   |   |   |   |   |   |   |         |   |   |   |   |   |   |   |         |   |   |   |   |   |   |   |         |   |   |   |   |   |   |   |
|-----------------|----------------|---|---|---|---|---|---|---|---------|---|---|---|---|---|---|---|---------|---|---|---|---|---|---|---|---------|---|---|---|---|---|---|---|
|                 | Austria        |   |   |   |   |   |   |   | Belgium |   |   |   |   |   |   |   | Brazil  |   |   |   |   |   |   |   | Canada  |   |   |   |   |   |   |   |
|                 | Bit No.        |   |   |   |   |   |   |   | Bit No. |   |   |   |   |   |   |   | Bit No. |   |   |   |   |   |   |   | Bit No. |   |   |   |   |   |   |   |
|                 | 1              | 2 | 3 | 4 | 5 | 6 | 7 | 8 | 1       | 2 | 3 | 4 | 5 | 6 | 7 | 8 | 1       | 2 | 3 | 4 | 5 | 6 | 7 | 8 | 1       | 2 | 3 | 4 | 5 | 6 | 7 | 8 |
| #01             | 1              | 0 | 0 | 0 | 0 | 0 | 0 | 1 | 0       | 0 | 0 | 0 | 0 | 0 | 0 | 1 | 0       | 0 | 0 | 0 | 0 | 0 | 0 | 0 | 1       | 0 | 0 | 0 | 0 | 0 | 0 | 0 |
| #02             | 0              | 0 | 0 | 0 | 0 | 1 | 0 | 0 | 0       | 0 | 0 | 0 | 1 | 0 | 0 | 0 | 0       | 0 | 0 | 0 | 1 | 0 | 0 | 0 | 0       | 0 | 0 | 0 | 0 | 0 | 0 | 0 |
| #03             | 0              | 1 | 1 | 0 | 0 | 0 | 1 | 1 | 0       | 1 | 1 | 0 | 0 | 0 | 1 | 1 | 0       | 1 | 1 | 0 | 0 | 0 | 0 | 1 | 0       | 1 | 1 | 0 | 0 | 0 | 0 | 1 |
| #04             | 1              | 0 | 1 | 1 | 0 | 0 | 0 | 0 | 1       | 0 | 1 | 1 | 0 | 0 | 0 | 0 | 0       | 0 | 1 | 0 | 0 | 0 | 0 | 0 | 0       | 0 | 1 | 0 | 0 | 0 | 0 |   |
| #05             | 1              | 0 | 0 | 0 | 0 | 0 | 1 | 1 | 1       | 0 | 0 | 0 | 0 | 0 | 1 | 1 | 1       | 0 | 0 | 0 | 0 | 0 | 0 | 0 | 0       | 1 | 0 | 0 | 0 | 0 | 0 |   |
| #06             | 0              | 0 | 0 | 0 | 0 | 0 | 0 | 0 | 0       | 0 | 0 | 0 | 0 | 0 | 0 | 0 | 0       | 0 | 0 | 0 | 0 | 0 | 0 | 0 | 0       | 0 | 0 | 0 | 0 | 0 | 0 |   |
| #07             | 1              | 1 | 1 | 0 | 0 | 0 | 0 | 1 | 1       | 1 | 1 | 0 | 0 | 0 | 0 | 1 | 1       | 1 | 1 | 0 | 0 | 0 | 0 | 0 | 1       | 1 | 1 | 0 | 0 | 0 | 0 |   |
| #08             | 0              | 0 | 0 | 0 | 0 | 1 | 1 | 0 | 0       | 0 | 0 | 0 | 1 | 1 | 0 | 0 | 0       | 0 | 0 | 1 | 1 | 0 | 0 | 0 | 0       | 0 | 0 | 0 | 1 | 1 | 0 |   |
| #09             | 0              | 0 | 0 | 0 | 1 | 0 | 0 | 0 | 0       | 0 | 0 | 1 | 0 | 0 | 0 | 0 | 0       | 0 | 0 | 0 | 0 | 0 | 0 | 0 | 0       | 0 | 0 | 0 | 0 | 0 | 0 |   |
| #10             | 1              | 1 | 1 | 0 | 1 | 1 | 1 | 1 | 1       | 1 | 0 | 1 | 0 | 1 | 1 | 1 | 1       | 1 | 1 | 0 | 0 | 0 | 0 | 1 | 0       | 1 | 0 | 0 | 0 | 1 | 0 |   |
| #11             | 1              | 0 | 0 | 0 | 0 | 0 | 0 | 0 | 0       | 0 | 0 | 0 | 0 | 0 | 0 | 0 | 0       | 0 | 0 | 0 | 0 | 0 | 0 | 0 | 0       | 0 | 0 | 1 | 0 | 0 |   |   |
| #12             | 0              | 0 | 1 | 0 | 0 | 0 | 0 | 1 | 0       | 0 | 1 | 0 | 0 | 0 | 0 | 1 | 0       | 0 | 0 | 0 | 0 | 0 | 0 | 1 | 0       | 0 | 0 | 0 | 0 | 0 | 1 |   |
| #13             | 0              | 0 | 0 | 0 | 1 | 0 | 0 | 0 | 0       | 0 | 0 | 1 | 0 | 0 | 0 | 0 | 0       | 0 | 1 | 0 | 0 | 0 | 0 | 0 | 0       | 0 | 0 | 1 | 0 | 0 |   |   |
| #14             | 0              | 1 | 0 | 1 | 0 | 0 | 0 | 0 | 0       | 1 | 0 | 1 | 0 | 0 | 0 | 0 | 0       | 0 | 1 | 0 | 0 | 1 | 0 | 0 | 0       | 0 | 1 | 0 | 0 | 0 |   |   |
| #15             | 0              | 0 | 0 | 0 | 0 | 0 | 0 | 1 | 0       | 0 | 0 | 0 | 0 | 0 | 0 | 1 | 0       | 0 | 0 | 0 | 0 | 0 | 0 | 0 | 0       | 0 | 0 | 0 | 0 | 0 |   |   |
| #16             | 1              | 1 | 0 | 0 | 0 | 0 | 0 | 0 | 1       | 1 | 0 | 0 | 0 | 0 | 0 | 0 | 1       | 1 | 0 | 0 | 0 | 0 | 0 | 0 | 0       | 1 | 1 | 0 | 0 | 0 |   |   |
| #17             | 0              | 0 | 0 | 0 | 0 | 0 | 0 | 0 | 0       | 0 | 0 | 0 | 0 | 0 | 0 | 0 | 0       | 0 | 0 | 0 | 0 | 0 | 0 | 0 | 0       | 0 | 0 | 0 | 0 | 0 |   |   |
| #18             | 0              | 1 | 0 | 0 | 0 | 0 | 0 | 0 | 0       | 1 | 0 | 0 | 0 | 0 | 0 | 0 | 0       | 1 | 0 | 0 | 0 | 0 | 0 | 0 | 1       | 0 | 0 | 0 | 0 | 0 |   |   |
| #19             | 1              | 1 | 0 | 1 | 1 | 1 | 1 | 0 | 1       | 1 | 0 | 1 | 1 | 1 | 1 | 0 | 0       | 0 | 1 | 1 | 1 | 1 | 0 | 0 | 0       | 1 | 1 | 1 | 1 | 0 |   |   |
| #20             | 0              | 0 | 0 | 0 | 0 | 0 | 0 | 1 | 0       | 0 | 0 | 0 | 0 | 0 | 1 | 1 | 0       | 0 | 0 | 0 | 0 | 1 | 1 | 0 | 0       | 0 | 0 | 1 | 1 | 1 |   |   |
| #21             | 0              | 0 | 0 | 0 | 0 | 0 | 1 | 1 | 0       | 0 | 0 | 0 | 0 | 0 | 1 | 1 | 0       | 0 | 0 | 0 | 0 | 1 | 1 | 0 | 0       | 0 | 0 | 0 | 0 | 1 |   |   |
| #22             | 1              | 1 | 1 | 0 | 0 | 0 | 0 | 0 | 1       | 1 | 1 | 0 | 0 | 0 | 0 | 0 | 1       | 1 | 1 | 0 | 0 | 0 | 0 | 0 | 1       | 1 | 1 | 0 | 0 | 0 |   |   |
| #23             | 0              | 1 | 1 | 0 | 0 | 0 | 0 | 0 | 0       | 1 | 1 | 0 | 0 | 0 | 0 | 0 | 0       | 0 | 1 | 0 | 0 | 0 | 0 | 0 | 0       | 0 | 1 | 0 | 0 | 0 |   |   |
| #24             | 0              | 1 | 0 | 0 | 0 | 0 | 0 | 1 | 0       | 1 | 0 | 0 | 0 | 0 | 0 | 0 | 0       | 1 | 0 | 0 | 0 | 0 | 0 | 0 | 0       | 1 | 0 | 0 | 0 | 0 |   |   |
| #25             | 0              | 1 | 0 | 0 | 0 | 0 | 0 | 0 | 0       | 1 | 0 | 0 | 0 | 0 | 0 | 0 | 0       | 1 | 0 | 0 | 0 | 0 | 0 | 0 | 0       | 1 | 0 | 0 | 0 | 0 |   |   |
| #26             | 0              | 0 | 0 | 0 | 0 | 0 | 0 | 0 | 0       | 0 | 0 | 0 | 0 | 0 | 0 | 0 | 0       | 0 | 0 | 0 | 0 | 0 | 0 | 0 | 0       | 0 | 0 | 0 | 0 | 0 |   |   |
| #27             | 0              | 0 | 0 | 0 | 0 | 0 | 0 | 0 | 0       | 0 | 0 | 0 | 0 | 0 | 0 | 0 | 0       | 0 | 0 | 0 | 0 | 0 | 0 | 0 | 0       | 0 | 0 | 0 | 0 | 0 |   |   |
| #28             | 1              | 1 | 1 | 0 | 1 | 0 | 1 | 0 | 1       | 1 | 1 | 0 | 1 | 0 | 1 | 0 | 1       | 1 | 1 | 0 | 0 | 1 | 0 | 1 | 1       | 1 | 1 | 0 | 0 | 1 | 0 |   |
| #29             | 0              | 0 | 0 | 0 | 1 | 0 | 0 | 0 | 0       | 0 | 0 | 0 | 1 | 0 | 0 | 0 | 0       | 0 | 1 | 0 | 0 | 1 | 0 | 0 | 0       | 0 | 1 | 0 | 1 | 0 |   |   |
| #30             | 0              | 0 | 0 | 0 | 0 | 0 | 1 | 0 | 0       | 0 | 0 | 0 | 0 | 0 | 1 | 0 | 0       | 0 | 0 | 0 | 0 | 0 | 1 | 0 | 0       | 0 | 0 | 0 | 0 | 1 | 0 |   |
| #31             | 0              | 1 | 0 | 1 | 0 | 1 | 0 | 0 | 0       | 0 | 1 | 0 | 1 | 0 | 1 | 0 | 0       | 0 | 1 | 0 | 1 | 0 | 1 | 0 | 0       | 0 | 1 | 0 | 1 | 0 | 0 |   |
| #32             | 1              | 0 | 1 | 1 | 0 | 0 | 0 | 0 | 0       | 1 | 0 | 1 | 1 | 0 | 0 | 0 | 0       | 1 | 0 | 1 | 1 | 0 | 0 | 0 | 0       | 1 | 0 | 1 | 1 | 0 | 0 |   |
| #33             | 0              | 0 | 0 | 0 | 0 | 0 | 1 | 0 | 0       | 0 | 0 | 0 | 0 | 0 | 1 | 0 | 0       | 0 | 0 | 0 | 0 | 0 | 1 | 0 | 0       | 0 | 0 | 0 | 0 | 1 | 0 |   |
| #34             | 0              | 0 | 0 | 0 | 0 | 0 | 0 | 0 | 0       | 0 | 0 | 0 | 0 | 0 | 0 | 0 | 0       | 0 | 0 | 0 | 0 | 0 | 0 | 0 | 0       | 0 | 0 | 0 | 0 | 0 | 0 |   |
| #35             | 0              | 0 | 0 | 0 | 0 | 1 | 0 | 1 | 0       | 0 | 0 | 0 | 0 | 1 | 0 | 1 | 0       | 0 | 0 | 1 | 0 | 0 | 1 | 0 | 0       | 0 | 0 | 0 | 1 | 0 | 1 |   |
| #36             | 0              | 1 | 0 | 1 | 0 | 0 | 0 | 1 | 0       | 1 | 0 | 1 | 0 | 0 | 0 | 1 | 0       | 1 | 0 | 0 | 0 | 0 | 1 | 0 | 1       | 0 | 1 | 0 | 0 | 0 | 1 |   |
| #37             | 0              | 0 | 0 | 0 | 0 | 0 | 0 | 0 | 0       | 0 | 0 | 0 | 0 | 0 | 0 | 0 | 0       | 0 | 0 | 0 | 0 | 0 | 0 | 0 | 0       | 0 | 0 | 0 | 0 | 0 | 0 |   |
| #38             | 1              | 0 | 0 | 0 | 0 | 1 | 0 | 0 | 1       | 0 | 0 | 0 | 0 | 1 | 0 | 0 | 1       | 0 | 0 | 0 | 0 | 1 | 0 | 0 | 0       | 1 | 0 | 0 | 0 | 1 | 0 |   |

bizhub C25

ADJUSTMENT / SETTING

bizhub C25

| Soft Switch No. | Marketing area |   |   |   |   |   |   |   |         |   |   |   |   |   |   |   |         |   |   |   |   |   |   |   |         |   |   |   |   |   |   |   |   |
|-----------------|----------------|---|---|---|---|---|---|---|---------|---|---|---|---|---|---|---|---------|---|---|---|---|---|---|---|---------|---|---|---|---|---|---|---|---|
|                 | Austria        |   |   |   |   |   |   |   | Belgium |   |   |   |   |   |   |   | Brazil  |   |   |   |   |   |   |   | Canada  |   |   |   |   |   |   |   |   |
|                 | Bit No.        |   |   |   |   |   |   |   | Bit No. |   |   |   |   |   |   |   | Bit No. |   |   |   |   |   |   |   | Bit No. |   |   |   |   |   |   |   |   |
|                 | 1              | 2 | 3 | 4 | 5 | 6 | 7 | 8 | 1       | 2 | 3 | 4 | 5 | 6 | 7 | 8 | 1       | 2 | 3 | 4 | 5 | 6 | 7 | 8 | 1       | 2 | 3 | 4 | 5 | 6 | 7 | 8 |   |
| #39             | 1              | 0 | 0 | 0 | 0 | 0 | 0 | 0 | 1       | 0 | 0 | 0 | 0 | 0 | 0 | 0 | 1       | 0 | 0 | 0 | 0 | 0 | 0 | 0 | 0       | 1 | 0 | 0 | 0 | 0 | 0 | 0 | 0 |
| #40             | 0              | 0 | 0 | 0 | 0 | 0 | 0 | 0 | 0       | 0 | 0 | 0 | 0 | 0 | 0 | 0 | 0       | 0 | 0 | 0 | 0 | 0 | 0 | 0 | 0       | 0 | 0 | 0 | 0 | 0 | 0 | 0 | 0 |
| #41             | 0              | 0 | 0 | 0 | 0 | 0 | 0 | 0 | 0       | 0 | 0 | 0 | 0 | 0 | 0 | 0 | 0       | 0 | 0 | 0 | 0 | 0 | 0 | 0 | 0       | 0 | 0 | 0 | 0 | 0 | 0 | 0 | 0 |
| #42             | 0              | 0 | 0 | 0 | 0 | 0 | 0 | 0 | 0       | 0 | 0 | 0 | 0 | 0 | 0 | 0 | 0       | 0 | 0 | 0 | 0 | 0 | 0 | 0 | 0       | 0 | 0 | 0 | 0 | 0 | 0 | 0 | 0 |
| #43             | 0              | 0 | 0 | 0 | 0 | 0 | 0 | 0 | 0       | 0 | 0 | 0 | 0 | 0 | 0 | 0 | 0       | 0 | 0 | 0 | 0 | 0 | 0 | 0 | 0       | 0 | 0 | 0 | 0 | 0 | 0 | 0 | 0 |
| #44             | 0              | 0 | 0 | 0 | 0 | 0 | 0 | 0 | 0       | 0 | 0 | 0 | 0 | 0 | 0 | 0 | 0       | 0 | 0 | 0 | 0 | 0 | 0 | 0 | 0       | 0 | 0 | 0 | 0 | 0 | 0 | 0 | 0 |
| #45             | 0              | 0 | 0 | 0 | 0 | 0 | 0 | 0 | 0       | 0 | 0 | 0 | 0 | 0 | 0 | 0 | 0       | 0 | 0 | 0 | 0 | 0 | 0 | 0 | 0       | 0 | 0 | 0 | 0 | 0 | 0 | 0 | 0 |
| #46             | 0              | 1 | 0 | 1 | 0 | 0 | 0 | 0 | 0       | 1 | 0 | 1 | 0 | 0 | 0 | 0 | 0       | 1 | 0 | 1 | 0 | 0 | 0 | 0 | 0       | 0 | 1 | 0 | 1 | 0 | 0 | 0 | 0 |
| #47             | 0              | 0 | 0 | 0 | 0 | 0 | 0 | 0 | 0       | 0 | 0 | 0 | 0 | 0 | 0 | 0 | 0       | 0 | 0 | 0 | 0 | 0 | 0 | 0 | 0       | 0 | 0 | 0 | 0 | 0 | 0 | 0 | 0 |
| #48             | 0              | 0 | 0 | 1 | 0 | 1 | 0 | 1 | 0       | 0 | 0 | 1 | 0 | 1 | 0 | 1 | 0       | 0 | 0 | 1 | 0 | 1 | 0 | 1 | 0       | 0 | 0 | 0 | 1 | 0 | 1 | 0 | 1 |
| #49             | 1              | 0 | 0 | 0 | 0 | 0 | 0 | 0 | 1       | 0 | 0 | 0 | 0 | 0 | 0 | 0 | 1       | 0 | 0 | 0 | 0 | 0 | 0 | 0 | 1       | 0 | 0 | 0 | 0 | 0 | 0 | 0 |   |
| #50             | 1              | 0 | 0 | 0 | 0 | 0 | 0 | 0 | 1       | 0 | 0 | 1 | 0 | 0 | 0 | 0 | 1       | 0 | 0 | 1 | 0 | 0 | 0 | 0 | 1       | 0 | 0 | 1 | 0 | 0 | 0 | 0 |   |
| #51             | 0              | 0 | 0 | 0 | 0 | 0 | 0 | 0 | 0       | 0 | 0 | 0 | 0 | 0 | 0 | 0 | 0       | 0 | 0 | 0 | 0 | 0 | 0 | 0 | 0       | 0 | 0 | 0 | 0 | 0 | 0 | 0 | 0 |
| #52             | 0              | 0 | 0 | 0 | 0 | 0 | 0 | 0 | 0       | 0 | 0 | 0 | 0 | 0 | 0 | 0 | 0       | 0 | 0 | 0 | 0 | 0 | 0 | 0 | 0       | 0 | 0 | 0 | 0 | 0 | 0 | 0 | 0 |
| #53             | 0              | 0 | 0 | 0 | 0 | 0 | 0 | 0 | 0       | 0 | 0 | 0 | 0 | 0 | 0 | 0 | 0       | 0 | 0 | 0 | 0 | 0 | 0 | 0 | 0       | 0 | 0 | 0 | 0 | 0 | 0 | 0 | 0 |
| #54             | 0              | 0 | 0 | 1 | 0 | 1 | 0 | 1 | 0       | 0 | 0 | 1 | 0 | 1 | 0 | 1 | 0       | 0 | 0 | 1 | 0 | 1 | 0 | 1 | 0       | 0 | 0 | 0 | 1 | 0 | 1 | 0 | 1 |
| #55             | 0              | 0 | 0 | 0 | 0 | 0 | 1 | 0 | 0       | 0 | 0 | 0 | 0 | 0 | 1 | 0 | 0       | 0 | 0 | 0 | 0 | 0 | 0 | 0 | 1       | 0 | 0 | 0 | 0 | 1 | 0 | 0 |   |
| #56             | 1              | 0 | 0 | 1 | 0 | 0 | 0 | 0 | 1       | 0 | 0 | 1 | 0 | 0 | 0 | 0 | 1       | 0 | 0 | 1 | 0 | 0 | 0 | 0 | 1       | 0 | 0 | 1 | 0 | 0 | 0 | 0 |   |
| #57             | 0              | 0 | 0 | 0 | 0 | 0 | 0 | 0 | 0       | 0 | 0 | 0 | 0 | 0 | 0 | 0 | 0       | 0 | 0 | 0 | 0 | 0 | 0 | 0 | 0       | 0 | 0 | 0 | 0 | 0 | 0 | 0 | 0 |
| #58             | 0              | 0 | 0 | 0 | 0 | 0 | 0 | 0 | 0       | 0 | 0 | 0 | 0 | 0 | 0 | 0 | 0       | 0 | 0 | 0 | 0 | 0 | 0 | 0 | 0       | 0 | 0 | 0 | 0 | 0 | 0 | 0 | 0 |
| #59             | 0              | 1 | 0 | 0 | 0 | 0 | 0 | 0 | 0       | 1 | 0 | 0 | 0 | 0 | 0 | 0 | 0       | 1 | 1 | 0 | 0 | 1 | 0 | 0 | 0       | 0 | 1 | 0 | 1 | 0 | 1 | 0 | 0 |
| #60             | 0              | 0 | 0 | 0 | 0 | 0 | 0 | 0 | 0       | 0 | 0 | 0 | 0 | 0 | 0 | 0 | 0       | 0 | 0 | 0 | 0 | 0 | 0 | 0 | 0       | 0 | 0 | 0 | 0 | 0 | 0 | 0 | 0 |
| #61             | 1              | 1 | 1 | 1 | 0 | 0 | 0 | 0 | 1       | 1 | 1 | 1 | 0 | 0 | 0 | 0 | 1       | 1 | 1 | 1 | 0 | 0 | 0 | 0 | 1       | 1 | 1 | 1 | 0 | 0 | 0 | 0 | 0 |
| #62             | 0              | 0 | 0 | 0 | 0 | 0 | 0 | 0 | 0       | 0 | 0 | 0 | 0 | 0 | 0 | 0 | 0       | 0 | 0 | 0 | 0 | 0 | 0 | 0 | 0       | 0 | 0 | 0 | 0 | 0 | 0 | 0 | 0 |
| #63             | 0              | 0 | 0 | 0 | 0 | 0 | 0 | 1 | 0       | 0 | 0 | 0 | 0 | 0 | 0 | 1 | 0       | 0 | 0 | 0 | 0 | 0 | 0 | 1 | 0       | 0 | 0 | 0 | 0 | 0 | 0 | 1 | 0 |
| #64             | 0              | 0 | 0 | 0 | 0 | 0 | 0 | 0 | 0       | 0 | 0 | 0 | 0 | 0 | 0 | 0 | 0       | 0 | 0 | 0 | 0 | 0 | 0 | 0 | 0       | 0 | 0 | 0 | 0 | 0 | 0 | 0 | 0 |

ADJUSTMENT / SETTING

**C. Market area 3**

| Soft Switch No. | Marketing area |   |   |   |   |   |   |   |         |   |   |   |   |   |   |   |         |   |   |   |   |   |   |   |         |   |   |   |   |   |   |   |   |   |   |
|-----------------|----------------|---|---|---|---|---|---|---|---------|---|---|---|---|---|---|---|---------|---|---|---|---|---|---|---|---------|---|---|---|---|---|---|---|---|---|---|
|                 | China          |   |   |   |   |   |   |   | Czech   |   |   |   |   |   |   |   | Denmark |   |   |   |   |   |   |   | Europe  |   |   |   |   |   |   |   |   |   |   |
|                 | Bit No.        |   |   |   |   |   |   |   | Bit No. |   |   |   |   |   |   |   | Bit No. |   |   |   |   |   |   |   | Bit No. |   |   |   |   |   |   |   |   |   |   |
|                 | 1              | 2 | 3 | 4 | 5 | 6 | 7 | 8 | 1       | 2 | 3 | 4 | 5 | 6 | 7 | 8 | 1       | 2 | 3 | 4 | 5 | 6 | 7 | 8 | 1       | 2 | 3 | 4 | 5 | 6 | 7 | 8 |   |   |   |
| #01             | 1              | 0 | 0 | 0 | 0 | 0 | 0 | 1 | 0       | 0 | 0 | 0 | 0 | 0 | 0 | 1 | 0       | 0 | 0 | 0 | 0 | 0 | 0 | 1 | 0       | 0 | 0 | 0 | 0 | 0 | 0 |   |   |   |   |
| #02             | 0              | 0 | 0 | 0 | 0 | 1 | 0 | 0 | 0       | 0 | 0 | 0 | 1 | 0 | 0 | 0 | 0       | 0 | 0 | 0 | 1 | 0 | 0 | 0 | 0       | 0 | 0 | 0 | 1 | 0 | 0 |   |   |   |   |
| #03             | 0              | 1 | 1 | 0 | 0 | 0 | 0 | 1 | 0       | 1 | 1 | 0 | 0 | 0 | 0 | 1 | 1       | 0 | 1 | 1 | 0 | 0 | 0 | 1 | 1       | 0 | 1 | 1 | 0 | 0 | 1 | 1 |   |   |   |
| #04             | 0              | 0 | 1 | 1 | 0 | 0 | 0 | 0 | 1       | 0 | 1 | 1 | 0 | 0 | 0 | 0 | 1       | 0 | 1 | 1 | 0 | 0 | 0 | 0 | 1       | 0 | 1 | 1 | 0 | 0 | 0 | 0 |   |   |   |
| #05             | 1              | 1 | 0 | 0 | 0 | 0 | 1 | 1 | 1       | 0 | 0 | 0 | 0 | 0 | 1 | 1 | 1       | 0 | 0 | 0 | 0 | 0 | 1 | 1 | 1       | 0 | 0 | 0 | 0 | 1 | 1 |   |   |   |   |
| #06             | 0              | 0 | 0 | 0 | 0 | 0 | 0 | 0 | 0       | 0 | 0 | 0 | 0 | 0 | 0 | 0 | 0       | 0 | 0 | 0 | 0 | 0 | 0 | 0 | 0       | 0 | 0 | 0 | 0 | 0 | 0 | 0 |   |   |   |
| #07             | 1              | 1 | 1 | 0 | 0 | 0 | 0 | 0 | 1       | 1 | 1 | 0 | 0 | 0 | 0 | 0 | 1       | 1 | 1 | 0 | 0 | 0 | 0 | 0 | 1       | 1 | 1 | 0 | 0 | 0 | 0 | 1 |   |   |   |
| #08             | 0              | 0 | 0 | 0 | 0 | 1 | 1 | 0 | 0       | 0 | 0 | 0 | 1 | 1 | 0 | 0 | 0       | 0 | 0 | 1 | 1 | 0 | 0 | 0 | 0       | 0 | 0 | 0 | 1 | 1 | 0 | 0 |   |   |   |
| #09             | 0              | 0 | 0 | 0 | 1 | 0 | 0 | 0 | 0       | 0 | 0 | 1 | 0 | 0 | 0 | 0 | 0       | 0 | 0 | 1 | 0 | 0 | 0 | 0 | 0       | 0 | 0 | 1 | 0 | 0 | 0 | 0 |   |   |   |
| #10             | 1              | 1 | 1 | 0 | 0 | 1 | 0 | 1 | 1       | 1 | 0 | 1 | 1 | 1 | 1 | 1 | 1       | 1 | 0 | 1 | 1 | 1 | 1 | 1 | 1       | 1 | 1 | 1 | 1 | 1 | 1 | 1 |   |   |   |
| #11             | 0              | 0 | 0 | 0 | 0 | 0 | 0 | 0 | 1       | 0 | 0 | 0 | 0 | 0 | 0 | 0 | 1       | 0 | 0 | 0 | 0 | 0 | 0 | 0 | 0       | 1 | 0 | 0 | 0 | 0 | 0 | 0 |   |   |   |
| #12             | 0              | 0 | 0 | 0 | 1 | 0 | 0 | 1 | 0       | 0 | 1 | 0 | 0 | 0 | 0 | 1 | 0       | 0 | 1 | 0 | 0 | 0 | 0 | 1 | 0       | 0 | 1 | 0 | 0 | 0 | 0 | 1 |   |   |   |
| #13             | 0              | 0 | 0 | 0 | 1 | 0 | 0 | 0 | 0       | 0 | 0 | 1 | 0 | 0 | 0 | 0 | 0       | 0 | 1 | 0 | 0 | 0 | 0 | 0 | 0       | 0 | 0 | 1 | 0 | 0 | 0 | 0 |   |   |   |
| #14             | 0              | 1 | 0 | 0 | 1 | 0 | 0 | 0 | 0       | 1 | 0 | 1 | 0 | 0 | 0 | 0 | 0       | 1 | 0 | 1 | 0 | 0 | 0 | 0 | 0       | 0 | 1 | 0 | 1 | 0 | 0 | 0 |   |   |   |
| #15             | 0              | 0 | 0 | 0 | 0 | 0 | 0 | 0 | 0       | 0 | 0 | 0 | 0 | 0 | 0 | 1 | 0       | 0 | 0 | 0 | 0 | 0 | 0 | 1 | 0       | 0 | 0 | 0 | 0 | 0 | 0 | 0 |   |   |   |
| #16             | 1              | 1 | 0 | 0 | 0 | 0 | 0 | 0 | 1       | 1 | 0 | 0 | 0 | 0 | 0 | 0 | 1       | 1 | 0 | 0 | 0 | 0 | 0 | 0 | 1       | 1 | 0 | 0 | 0 | 0 | 0 | 0 |   |   |   |
| #17             | 0              | 0 | 0 | 0 | 0 | 0 | 0 | 0 | 0       | 0 | 0 | 0 | 0 | 0 | 0 | 0 | 0       | 0 | 0 | 0 | 0 | 0 | 0 | 0 | 0       | 0 | 0 | 0 | 0 | 0 | 0 | 0 |   |   |   |
| #18             | 0              | 1 | 0 | 0 | 0 | 0 | 0 | 0 | 0       | 0 | 1 | 0 | 0 | 0 | 0 | 0 | 0       | 1 | 0 | 0 | 0 | 0 | 0 | 0 | 0       | 0 | 1 | 0 | 0 | 0 | 0 | 0 |   |   |   |
| #19             | 0              | 0 | 0 | 1 | 1 | 1 | 1 | 0 | 1       | 1 | 0 | 1 | 1 | 1 | 1 | 0 | 1       | 1 | 0 | 1 | 1 | 1 | 1 | 0 | 1       | 1 | 0 | 1 | 1 | 1 | 1 | 0 |   |   |   |
| #20             | 0              | 0 | 0 | 0 | 0 | 1 | 1 | 0 | 0       | 0 | 0 | 0 | 1 | 1 | 1 | 0 | 0       | 0 | 0 | 0 | 0 | 1 | 1 | 0 | 0       | 0 | 0 | 0 | 0 | 1 | 1 | 0 |   |   |   |
| #21             | 0              | 0 | 0 | 0 | 0 | 0 | 0 | 1 | 0       | 0 | 0 | 0 | 0 | 0 | 1 | 1 | 0       | 0 | 0 | 0 | 0 | 1 | 1 | 0 | 0       | 0 | 0 | 0 | 0 | 1 | 1 | 0 |   |   |   |
| #22             | 1              | 1 | 1 | 0 | 0 | 0 | 0 | 0 | 1       | 1 | 1 | 0 | 0 | 0 | 0 | 0 | 1       | 1 | 1 | 0 | 0 | 0 | 0 | 0 | 1       | 1 | 1 | 0 | 0 | 0 | 0 | 0 |   |   |   |
| #23             | 0              | 0 | 1 | 0 | 0 | 0 | 0 | 0 | 0       | 1 | 1 | 0 | 0 | 0 | 0 | 0 | 0       | 1 | 1 | 0 | 0 | 0 | 0 | 0 | 0       | 0 | 1 | 1 | 0 | 0 | 0 | 0 |   |   |   |
| #24             | 1              | 0 | 1 | 0 | 0 | 0 | 0 | 0 | 0       | 1 | 0 | 0 | 0 | 0 | 0 | 0 | 0       | 1 | 0 | 0 | 0 | 0 | 0 | 0 | 0       | 0 | 1 | 0 | 0 | 0 | 0 | 0 |   |   |   |
| #25             | 0              | 1 | 0 | 0 | 0 | 0 | 0 | 0 | 0       | 0 | 1 | 0 | 0 | 0 | 0 | 0 | 0       | 1 | 0 | 0 | 0 | 0 | 0 | 0 | 0       | 0 | 1 | 0 | 0 | 0 | 0 | 0 |   |   |   |
| #26             | 0              | 0 | 0 | 0 | 0 | 0 | 0 | 0 | 0       | 0 | 0 | 0 | 0 | 0 | 0 | 0 | 0       | 0 | 0 | 0 | 0 | 0 | 0 | 0 | 0       | 0 | 0 | 0 | 0 | 0 | 0 | 0 |   |   |   |
| #27             | 0              | 0 | 0 | 0 | 0 | 0 | 0 | 0 | 0       | 0 | 0 | 0 | 0 | 0 | 0 | 0 | 0       | 0 | 0 | 0 | 0 | 0 | 0 | 0 | 0       | 0 | 0 | 0 | 0 | 0 | 0 | 0 |   |   |   |
| #28             | 1              | 1 | 1 | 0 | 0 | 1 | 0 | 1 | 0       | 1 | 0 | 1 | 0 | 1 | 0 | 1 | 0       | 1 | 1 | 0 | 1 | 0 | 1 | 0 | 1       | 0 | 1 | 1 | 1 | 0 | 1 | 0 | 1 |   |   |
| #29             | 0              | 0 | 1 | 0 | 1 | 0 | 0 | 0 | 0       | 0 | 0 | 1 | 0 | 0 | 0 | 0 | 0       | 1 | 0 | 0 | 0 | 0 | 1 | 0 | 0       | 0 | 0 | 0 | 0 | 1 | 0 | 0 | 0 |   |   |
| #30             | 0              | 0 | 0 | 0 | 0 | 0 | 1 | 0 | 0       | 0 | 0 | 0 | 0 | 0 | 1 | 0 | 0       | 0 | 0 | 0 | 0 | 0 | 1 | 0 | 0       | 0 | 0 | 0 | 0 | 0 | 1 | 0 |   |   |   |
| #31             | 0              | 1 | 0 | 1 | 1 | 0 | 1 | 0 | 1       | 0 | 1 | 0 | 1 | 0 | 1 | 0 | 1       | 0 | 1 | 0 | 1 | 0 | 1 | 0 | 1       | 0 | 1 | 0 | 1 | 0 | 1 | 0 | 1 |   |   |
| #32             | 1              | 0 | 1 | 1 | 0 | 0 | 0 | 0 | 0       | 1 | 0 | 1 | 1 | 0 | 0 | 0 | 0       | 1 | 0 | 1 | 1 | 0 | 0 | 0 | 0       | 1 | 0 | 1 | 1 | 0 | 0 | 0 | 0 |   |   |
| #33             | 0              | 0 | 0 | 0 | 0 | 0 | 1 | 0 | 0       | 0 | 0 | 0 | 0 | 0 | 1 | 0 | 0       | 0 | 0 | 0 | 0 | 0 | 1 | 0 | 0       | 0 | 0 | 0 | 0 | 0 | 0 | 0 | 0 |   |   |
| #34             | 0              | 0 | 0 | 0 | 0 | 0 | 0 | 0 | 0       | 0 | 0 | 0 | 0 | 0 | 0 | 0 | 0       | 0 | 0 | 0 | 0 | 0 | 0 | 0 | 0       | 0 | 0 | 0 | 0 | 0 | 0 | 0 | 0 |   |   |
| #35             | 0              | 0 | 0 | 0 | 0 | 1 | 0 | 1 | 0       | 0 | 0 | 0 | 0 | 1 | 0 | 1 | 0       | 0 | 0 | 0 | 1 | 0 | 1 | 0 | 0       | 0 | 0 | 0 | 0 | 1 | 0 | 1 | 0 | 1 |   |
| #36             | 0              | 1 | 0 | 1 | 0 | 0 | 0 | 1 | 0       | 1 | 0 | 1 | 0 | 0 | 0 | 1 | 0       | 1 | 0 | 0 | 0 | 0 | 1 | 0 | 1       | 0 | 0 | 0 | 0 | 1 | 0 | 1 | 0 | 0 | 1 |
| #37             | 0              | 0 | 0 | 0 | 0 | 0 | 0 | 0 | 0       | 0 | 0 | 0 | 0 | 0 | 0 | 0 | 0       | 0 | 0 | 0 | 0 | 0 | 0 | 0 | 0       | 0 | 0 | 0 | 0 | 0 | 0 | 0 | 0 | 0 | 0 |
| #38             | 1              | 0 | 0 | 0 | 0 | 1 | 0 | 0 | 1       | 0 | 0 | 0 | 0 | 1 | 0 | 0 | 1       | 0 | 0 | 0 | 0 | 1 | 0 | 0 | 0       | 0 | 1 | 0 | 0 | 0 | 0 | 1 | 0 | 0 | 0 |

bizhub C25

ADJUSTMENT / SETTING

bizhub C25

| Soft Switch No. | Marketing area |   |   |   |   |   |   |   |         |   |   |   |   |   |   |   |         |   |   |   |   |   |   |   |         |   |   |   |   |   |   |   |   |
|-----------------|----------------|---|---|---|---|---|---|---|---------|---|---|---|---|---|---|---|---------|---|---|---|---|---|---|---|---------|---|---|---|---|---|---|---|---|
|                 | China          |   |   |   |   |   |   |   | Czech   |   |   |   |   |   |   |   | Denmark |   |   |   |   |   |   |   | Europe  |   |   |   |   |   |   |   |   |
|                 | Bit No.        |   |   |   |   |   |   |   | Bit No. |   |   |   |   |   |   |   | Bit No. |   |   |   |   |   |   |   | Bit No. |   |   |   |   |   |   |   |   |
|                 | 1              | 2 | 3 | 4 | 5 | 6 | 7 | 8 | 1       | 2 | 3 | 4 | 5 | 6 | 7 | 8 | 1       | 2 | 3 | 4 | 5 | 6 | 7 | 8 | 1       | 2 | 3 | 4 | 5 | 6 | 7 | 8 |   |
| #39             | 1              | 0 | 0 | 0 | 0 | 0 | 0 | 0 | 1       | 0 | 0 | 0 | 0 | 0 | 0 | 0 | 1       | 0 | 0 | 0 | 0 | 0 | 0 | 0 | 0       | 1 | 0 | 0 | 0 | 0 | 0 | 0 | 0 |
| #40             | 0              | 0 | 0 | 0 | 0 | 0 | 0 | 0 | 0       | 0 | 0 | 0 | 0 | 0 | 0 | 0 | 0       | 0 | 0 | 0 | 0 | 0 | 0 | 0 | 0       | 0 | 0 | 0 | 0 | 0 | 0 | 0 | 0 |
| #41             | 0              | 0 | 0 | 0 | 0 | 0 | 0 | 0 | 0       | 0 | 0 | 0 | 0 | 0 | 0 | 0 | 0       | 0 | 0 | 0 | 0 | 0 | 0 | 0 | 0       | 0 | 0 | 0 | 0 | 0 | 0 | 0 | 0 |
| #42             | 0              | 0 | 0 | 0 | 0 | 0 | 0 | 0 | 0       | 0 | 0 | 0 | 0 | 0 | 0 | 0 | 0       | 0 | 0 | 0 | 0 | 0 | 0 | 0 | 0       | 0 | 0 | 0 | 0 | 0 | 0 | 0 | 0 |
| #43             | 0              | 0 | 0 | 0 | 0 | 0 | 0 | 0 | 0       | 0 | 0 | 0 | 0 | 0 | 0 | 0 | 0       | 0 | 0 | 0 | 0 | 0 | 0 | 0 | 0       | 0 | 0 | 0 | 0 | 0 | 0 | 0 | 0 |
| #44             | 0              | 0 | 0 | 0 | 0 | 0 | 0 | 0 | 0       | 0 | 0 | 0 | 0 | 0 | 0 | 0 | 0       | 0 | 0 | 0 | 0 | 0 | 0 | 0 | 0       | 0 | 0 | 0 | 0 | 0 | 0 | 0 | 0 |
| #45             | 0              | 0 | 0 | 0 | 0 | 0 | 0 | 0 | 0       | 0 | 0 | 0 | 0 | 0 | 0 | 0 | 0       | 0 | 0 | 0 | 0 | 0 | 0 | 0 | 0       | 0 | 0 | 0 | 0 | 0 | 0 | 0 | 0 |
| #46             | 0              | 1 | 0 | 1 | 0 | 0 | 0 | 0 | 0       | 1 | 0 | 1 | 0 | 0 | 0 | 0 | 0       | 1 | 0 | 1 | 0 | 0 | 0 | 0 | 0       | 0 | 1 | 0 | 1 | 0 | 0 | 0 | 0 |
| #47             | 0              | 0 | 0 | 0 | 0 | 0 | 0 | 0 | 0       | 0 | 0 | 0 | 0 | 0 | 0 | 0 | 0       | 0 | 0 | 0 | 0 | 0 | 0 | 0 | 0       | 0 | 0 | 0 | 0 | 0 | 0 | 0 | 0 |
| #48             | 0              | 0 | 0 | 1 | 0 | 1 | 0 | 1 | 0       | 0 | 0 | 1 | 0 | 1 | 0 | 1 | 0       | 0 | 0 | 1 | 0 | 1 | 0 | 1 | 0       | 0 | 0 | 0 | 1 | 0 | 1 | 0 | 1 |
| #49             | 1              | 0 | 0 | 0 | 0 | 0 | 0 | 0 | 0       | 1 | 0 | 0 | 0 | 0 | 0 | 0 | 0       | 1 | 0 | 0 | 0 | 0 | 0 | 0 | 0       | 1 | 0 | 0 | 0 | 0 | 0 | 0 |   |
| #50             | 1              | 0 | 0 | 1 | 0 | 0 | 0 | 0 | 0       | 1 | 0 | 0 | 1 | 0 | 0 | 0 | 0       | 1 | 0 | 0 | 1 | 0 | 0 | 0 | 0       | 1 | 0 | 0 | 1 | 0 | 0 | 0 |   |
| #51             | 0              | 0 | 0 | 0 | 0 | 0 | 0 | 0 | 0       | 0 | 0 | 0 | 0 | 0 | 0 | 0 | 0       | 0 | 0 | 0 | 0 | 0 | 0 | 0 | 0       | 0 | 0 | 0 | 0 | 0 | 0 | 0 |   |
| #52             | 0              | 0 | 0 | 0 | 0 | 0 | 0 | 0 | 0       | 0 | 0 | 0 | 0 | 0 | 0 | 0 | 0       | 0 | 0 | 0 | 0 | 0 | 0 | 0 | 0       | 0 | 0 | 0 | 0 | 0 | 0 | 0 | 0 |
| #53             | 0              | 0 | 0 | 0 | 0 | 0 | 0 | 0 | 0       | 0 | 0 | 0 | 0 | 0 | 0 | 0 | 0       | 0 | 0 | 0 | 0 | 0 | 0 | 0 | 0       | 0 | 0 | 0 | 0 | 0 | 0 | 0 | 0 |
| #54             | 0              | 0 | 0 | 1 | 0 | 1 | 0 | 1 | 0       | 0 | 0 | 1 | 0 | 1 | 0 | 1 | 0       | 0 | 0 | 1 | 0 | 1 | 0 | 1 | 0       | 0 | 0 | 0 | 1 | 0 | 1 | 0 | 1 |
| #55             | 1              | 0 | 0 | 0 | 0 | 0 | 0 | 0 | 0       | 0 | 0 | 0 | 0 | 0 | 1 | 0 | 0       | 0 | 0 | 0 | 0 | 0 | 1 | 0 | 0       | 0 | 0 | 0 | 0 | 0 | 1 | 0 |   |
| #56             | 1              | 0 | 0 | 1 | 0 | 0 | 0 | 0 | 0       | 1 | 0 | 0 | 1 | 0 | 0 | 0 | 0       | 1 | 0 | 0 | 1 | 0 | 0 | 0 | 0       | 1 | 0 | 0 | 1 | 0 | 0 | 0 |   |
| #57             | 0              | 0 | 0 | 0 | 1 | 0 | 0 | 0 | 0       | 0 | 0 | 0 | 0 | 0 | 0 | 0 | 0       | 0 | 0 | 0 | 0 | 0 | 0 | 0 | 0       | 0 | 0 | 0 | 0 | 0 | 0 | 0 |   |
| #58             | 0              | 0 | 0 | 0 | 0 | 0 | 0 | 0 | 0       | 0 | 0 | 0 | 0 | 0 | 0 | 0 | 0       | 0 | 0 | 0 | 0 | 0 | 0 | 0 | 0       | 0 | 0 | 0 | 0 | 0 | 0 | 0 | 0 |
| #59             | 0              | 0 | 0 | 0 | 1 | 0 | 0 | 0 | 0       | 0 | 1 | 0 | 0 | 0 | 0 | 0 | 0       | 0 | 1 | 0 | 0 | 0 | 0 | 0 | 0       | 0 | 1 | 0 | 0 | 0 | 0 | 0 | 0 |
| #60             | 0              | 0 | 0 | 0 | 0 | 0 | 0 | 0 | 0       | 0 | 0 | 0 | 0 | 0 | 0 | 0 | 0       | 0 | 0 | 0 | 0 | 0 | 0 | 0 | 0       | 0 | 0 | 0 | 0 | 0 | 0 | 0 | 0 |
| #61             | 1              | 1 | 1 | 1 | 0 | 0 | 0 | 0 | 0       | 1 | 1 | 1 | 1 | 0 | 0 | 0 | 0       | 1 | 1 | 1 | 1 | 0 | 0 | 0 | 0       | 1 | 1 | 1 | 1 | 0 | 0 | 0 | 0 |
| #62             | 0              | 0 | 0 | 0 | 0 | 0 | 0 | 0 | 0       | 0 | 0 | 0 | 0 | 0 | 0 | 0 | 0       | 0 | 0 | 0 | 0 | 0 | 0 | 0 | 0       | 0 | 0 | 0 | 0 | 0 | 0 | 0 | 0 |
| #63             | 0              | 0 | 0 | 0 | 0 | 0 | 0 | 0 | 1       | 0 | 0 | 0 | 0 | 0 | 0 | 1 | 0       | 0 | 0 | 0 | 0 | 0 | 0 | 1 | 0       | 0 | 0 | 0 | 0 | 0 | 0 | 1 |   |
| #64             | 0              | 0 | 0 | 0 | 0 | 0 | 0 | 0 | 0       | 0 | 0 | 0 | 0 | 0 | 0 | 0 | 0       | 0 | 0 | 0 | 0 | 0 | 0 | 0 | 0       | 0 | 0 | 0 | 0 | 0 | 0 | 0 | 0 |

ADJUSTMENT / SETTING

**D. Market area 4**

| Soft Switch No. | Marketing area |   |   |   |   |   |   |   |         |   |   |   |   |   |   |   |         |   |   |   |   |   |   |   |         |   |   |   |   |   |   |   |
|-----------------|----------------|---|---|---|---|---|---|---|---------|---|---|---|---|---|---|---|---------|---|---|---|---|---|---|---|---------|---|---|---|---|---|---|---|
|                 | Finland        |   |   |   |   |   |   |   | France  |   |   |   |   |   |   |   | Germany |   |   |   |   |   |   |   | Greece  |   |   |   |   |   |   |   |
|                 | Bit No.        |   |   |   |   |   |   |   | Bit No. |   |   |   |   |   |   |   | Bit No. |   |   |   |   |   |   |   | Bit No. |   |   |   |   |   |   |   |
|                 | 1              | 2 | 3 | 4 | 5 | 6 | 7 | 8 | 1       | 2 | 3 | 4 | 5 | 6 | 7 | 8 | 1       | 2 | 3 | 4 | 5 | 6 | 7 | 8 | 1       | 2 | 3 | 4 | 5 | 6 | 7 | 8 |
| #01             | 1              | 0 | 0 | 0 | 0 | 0 | 0 | 1 | 0       | 0 | 0 | 0 | 0 | 0 | 0 | 1 | 0       | 0 | 0 | 0 | 0 | 0 | 0 | 1 | 0       | 0 | 0 | 0 | 0 | 0 | 0 |   |
| #02             | 0              | 0 | 0 | 0 | 0 | 1 | 0 | 0 | 0       | 0 | 0 | 0 | 1 | 0 | 0 | 0 | 0       | 0 | 0 | 1 | 0 | 0 | 0 | 0 | 0       | 0 | 0 | 0 | 1 | 0 | 0 |   |
| #03             | 0              | 1 | 1 | 0 | 0 | 0 | 1 | 1 | 0       | 1 | 1 | 0 | 0 | 0 | 1 | 1 | 0       | 1 | 1 | 0 | 0 | 0 | 1 | 1 | 0       | 1 | 1 | 0 | 0 | 0 | 1 | 1 |
| #04             | 1              | 0 | 1 | 1 | 0 | 0 | 0 | 0 | 1       | 0 | 1 | 1 | 0 | 0 | 0 | 0 | 1       | 0 | 1 | 1 | 0 | 0 | 0 | 0 | 1       | 0 | 1 | 1 | 0 | 0 | 0 |   |
| #05             | 1              | 0 | 0 | 0 | 0 | 0 | 1 | 1 | 1       | 0 | 0 | 0 | 0 | 0 | 1 | 1 | 1       | 0 | 0 | 0 | 0 | 0 | 1 | 1 | 1       | 0 | 0 | 0 | 0 | 1 | 1 |   |
| #06             | 0              | 0 | 0 | 0 | 0 | 0 | 0 | 0 | 0       | 0 | 0 | 0 | 0 | 0 | 0 | 0 | 0       | 0 | 0 | 0 | 0 | 0 | 0 | 0 | 0       | 0 | 0 | 0 | 0 | 0 | 0 |   |
| #07             | 1              | 1 | 1 | 0 | 0 | 0 | 0 | 1 | 1       | 1 | 1 | 0 | 0 | 0 | 0 | 1 | 1       | 1 | 1 | 0 | 0 | 0 | 0 | 1 | 1       | 1 | 1 | 0 | 0 | 0 | 0 |   |
| #08             | 0              | 0 | 0 | 0 | 0 | 1 | 1 | 0 | 0       | 0 | 0 | 0 | 1 | 1 | 0 | 0 | 0       | 0 | 0 | 1 | 1 | 0 | 0 | 0 | 0       | 0 | 0 | 1 | 1 | 0 | 0 |   |
| #09             | 0              | 0 | 0 | 0 | 1 | 0 | 0 | 0 | 0       | 0 | 0 | 1 | 0 | 0 | 0 | 0 | 0       | 0 | 1 | 0 | 0 | 0 | 0 | 0 | 0       | 0 | 0 | 1 | 0 | 0 | 0 |   |
| #10             | 1              | 1 | 1 | 0 | 1 | 1 | 1 | 1 | 1       | 1 | 0 | 1 | 1 | 1 | 1 | 1 | 1       | 1 | 1 | 1 | 1 | 1 | 1 | 1 | 1       | 1 | 1 | 1 | 1 | 1 | 1 |   |
| #11             | 1              | 0 | 0 | 0 | 0 | 0 | 0 | 0 | 1       | 0 | 0 | 0 | 0 | 0 | 0 | 0 | 1       | 0 | 0 | 0 | 0 | 0 | 0 | 0 | 0       | 0 | 0 | 0 | 0 | 0 | 0 |   |
| #12             | 0              | 0 | 1 | 0 | 0 | 0 | 0 | 1 | 0       | 0 | 1 | 0 | 0 | 0 | 0 | 1 | 0       | 0 | 1 | 0 | 0 | 0 | 0 | 1 | 0       | 0 | 1 | 0 | 0 | 0 | 0 |   |
| #13             | 0              | 0 | 0 | 0 | 1 | 0 | 0 | 0 | 0       | 0 | 0 | 1 | 0 | 0 | 0 | 0 | 0       | 1 | 0 | 0 | 0 | 0 | 0 | 0 | 0       | 1 | 0 | 0 | 0 | 0 |   |   |
| #14             | 0              | 1 | 0 | 1 | 0 | 0 | 0 | 0 | 0       | 1 | 0 | 1 | 0 | 0 | 0 | 0 | 0       | 1 | 0 | 1 | 0 | 1 | 0 | 0 | 0       | 0 | 1 | 0 | 1 | 0 | 0 |   |
| #15             | 0              | 0 | 0 | 0 | 0 | 0 | 0 | 1 | 0       | 0 | 0 | 0 | 0 | 0 | 0 | 1 | 0       | 0 | 0 | 0 | 0 | 0 | 0 | 1 | 0       | 0 | 0 | 0 | 0 | 0 | 1 |   |
| #16             | 1              | 1 | 0 | 0 | 0 | 0 | 0 | 0 | 1       | 1 | 0 | 0 | 0 | 0 | 0 | 0 | 1       | 1 | 0 | 0 | 0 | 0 | 0 | 0 | 1       | 1 | 0 | 0 | 0 | 0 | 0 |   |
| #17             | 0              | 0 | 0 | 0 | 0 | 0 | 0 | 0 | 0       | 0 | 0 | 0 | 0 | 0 | 0 | 0 | 0       | 0 | 0 | 0 | 0 | 0 | 0 | 0 | 0       | 0 | 0 | 0 | 0 | 0 | 0 |   |
| #18             | 0              | 1 | 0 | 0 | 0 | 0 | 0 | 0 | 0       | 1 | 0 | 0 | 0 | 0 | 0 | 0 | 0       | 1 | 0 | 0 | 0 | 0 | 0 | 0 | 0       | 1 | 0 | 0 | 0 | 0 | 0 |   |
| #19             | 1              | 1 | 0 | 1 | 1 | 1 | 1 | 0 | 1       | 1 | 0 | 1 | 1 | 1 | 1 | 0 | 1       | 1 | 0 | 1 | 1 | 1 | 1 | 0 | 1       | 1 | 0 | 1 | 1 | 1 | 0 |   |
| #20             | 0              | 0 | 0 | 0 | 0 | 1 | 1 | 1 | 0       | 0 | 0 | 0 | 0 | 0 | 1 | 1 | 0       | 0 | 0 | 0 | 0 | 1 | 1 | 0 | 0       | 0 | 0 | 0 | 0 | 1 | 1 |   |
| #21             | 0              | 0 | 0 | 0 | 0 | 0 | 1 | 1 | 0       | 0 | 0 | 0 | 0 | 0 | 1 | 1 | 0       | 0 | 0 | 0 | 0 | 1 | 1 | 0 | 0       | 0 | 0 | 0 | 0 | 1 | 1 |   |
| #22             | 1              | 1 | 1 | 0 | 0 | 0 | 0 | 0 | 1       | 1 | 1 | 0 | 0 | 0 | 0 | 0 | 1       | 1 | 1 | 0 | 0 | 0 | 0 | 0 | 1       | 1 | 1 | 0 | 0 | 0 | 0 |   |
| #23             | 0              | 1 | 1 | 0 | 0 | 0 | 0 | 0 | 0       | 1 | 1 | 0 | 0 | 0 | 0 | 0 | 0       | 1 | 1 | 0 | 0 | 0 | 0 | 0 | 0       | 1 | 1 | 0 | 0 | 0 | 0 |   |
| #24             | 0              | 1 | 0 | 0 | 0 | 0 | 0 | 0 | 0       | 0 | 1 | 0 | 0 | 0 | 0 | 0 | 0       | 1 | 0 | 0 | 0 | 0 | 0 | 0 | 0       | 1 | 0 | 0 | 0 | 0 | 0 |   |
| #25             | 0              | 1 | 0 | 0 | 0 | 1 | 0 | 0 | 0       | 0 | 0 | 0 | 0 | 0 | 0 | 0 | 0       | 1 | 0 | 0 | 0 | 0 | 0 | 0 | 0       | 1 | 0 | 0 | 0 | 0 | 0 |   |
| #26             | 0              | 0 | 0 | 0 | 0 | 0 | 0 | 0 | 0       | 0 | 0 | 0 | 0 | 0 | 0 | 0 | 0       | 0 | 0 | 0 | 0 | 0 | 0 | 0 | 0       | 0 | 0 | 0 | 0 | 0 | 0 |   |
| #27             | 0              | 0 | 0 | 0 | 0 | 0 | 0 | 0 | 0       | 0 | 0 | 0 | 0 | 0 | 0 | 0 | 0       | 0 | 0 | 0 | 0 | 0 | 0 | 0 | 0       | 0 | 0 | 0 | 0 | 0 | 0 |   |
| #28             | 1              | 1 | 1 | 0 | 1 | 0 | 1 | 0 | 1       | 1 | 1 | 0 | 1 | 0 | 1 | 0 | 1       | 1 | 1 | 0 | 1 | 0 | 1 | 0 | 1       | 1 | 1 | 0 | 1 | 0 | 1 | 0 |
| #29             | 0              | 0 | 0 | 0 | 1 | 0 | 0 | 0 | 0       | 0 | 0 | 0 | 1 | 0 | 0 | 0 | 0       | 0 | 1 | 0 | 0 | 0 | 0 | 0 | 0       | 0 | 0 | 0 | 1 | 0 | 0 | 0 |
| #30             | 0              | 0 | 0 | 0 | 0 | 0 | 1 | 0 | 0       | 0 | 0 | 0 | 0 | 0 | 1 | 0 | 0       | 0 | 0 | 0 | 0 | 0 | 1 | 0 | 0       | 0 | 0 | 0 | 0 | 0 | 1 | 0 |
| #31             | 0              | 1 | 0 | 1 | 0 | 1 | 0 | 0 | 0       | 0 | 1 | 0 | 1 | 0 | 1 | 0 | 0       | 0 | 0 | 1 | 0 | 1 | 0 | 1 | 0       | 0 | 0 | 1 | 0 | 1 | 0 | 0 |
| #32             | 1              | 0 | 1 | 1 | 0 | 0 | 0 | 0 | 0       | 1 | 0 | 1 | 1 | 0 | 0 | 0 | 0       | 1 | 0 | 1 | 1 | 0 | 0 | 0 | 0       | 1 | 0 | 1 | 1 | 0 | 0 | 0 |
| #33             | 0              | 0 | 0 | 0 | 0 | 0 | 1 | 0 | 0       | 0 | 0 | 0 | 0 | 0 | 1 | 0 | 0       | 0 | 0 | 0 | 0 | 0 | 1 | 0 | 0       | 0 | 0 | 0 | 0 | 0 | 0 | 0 |
| #34             | 0              | 0 | 0 | 0 | 0 | 0 | 0 | 0 | 0       | 0 | 0 | 0 | 0 | 0 | 0 | 0 | 0       | 0 | 0 | 0 | 0 | 0 | 0 | 0 | 0       | 0 | 0 | 0 | 0 | 0 | 0 | 0 |
| #35             | 0              | 0 | 0 | 0 | 0 | 1 | 0 | 1 | 0       | 0 | 0 | 0 | 0 | 1 | 0 | 1 | 0       | 0 | 0 | 0 | 1 | 0 | 1 | 0 | 0       | 0 | 0 | 0 | 0 | 1 | 0 | 1 |
| #36             | 0              | 1 | 0 | 1 | 0 | 0 | 0 | 1 | 0       | 1 | 0 | 1 | 0 | 0 | 0 | 1 | 0       | 1 | 0 | 0 | 0 | 0 | 1 | 0 | 1       | 0 | 1 | 0 | 0 | 0 | 0 | 1 |
| #37             | 0              | 0 | 0 | 0 | 0 | 0 | 0 | 0 | 0       | 0 | 0 | 0 | 0 | 0 | 0 | 0 | 0       | 0 | 0 | 0 | 0 | 0 | 0 | 0 | 0       | 0 | 0 | 0 | 0 | 0 | 0 | 0 |
| #38             | 1              | 0 | 0 | 0 | 0 | 1 | 0 | 0 | 1       | 0 | 0 | 0 | 0 | 1 | 0 | 0 | 1       | 0 | 0 | 0 | 0 | 1 | 0 | 0 | 0       | 0 | 1 | 0 | 0 | 0 | 0 | 0 |

bizhub C25

ADJUSTMENT / SETTING

| Soft Switch No. | Marketing area |   |   |   |   |   |   |   |         |   |   |   |   |   |   |   |         |   |   |   |   |   |   |   |         |   |   |   |   |   |   |   |
|-----------------|----------------|---|---|---|---|---|---|---|---------|---|---|---|---|---|---|---|---------|---|---|---|---|---|---|---|---------|---|---|---|---|---|---|---|
|                 | Finland        |   |   |   |   |   |   |   | France  |   |   |   |   |   |   |   | Germany |   |   |   |   |   |   |   | Greece  |   |   |   |   |   |   |   |
|                 | Bit No.        |   |   |   |   |   |   |   | Bit No. |   |   |   |   |   |   |   | Bit No. |   |   |   |   |   |   |   | Bit No. |   |   |   |   |   |   |   |
|                 | 1              | 2 | 3 | 4 | 5 | 6 | 7 | 8 | 1       | 2 | 3 | 4 | 5 | 6 | 7 | 8 | 1       | 2 | 3 | 4 | 5 | 6 | 7 | 8 | 1       | 2 | 3 | 4 | 5 | 6 | 7 | 8 |
| #39             | 1              | 0 | 0 | 0 | 0 | 0 | 0 | 0 | 1       | 0 | 0 | 0 | 0 | 0 | 0 | 0 | 1       | 0 | 0 | 0 | 0 | 0 | 0 | 0 | 1       | 0 | 0 | 0 | 0 | 0 | 0 | 0 |
| #40             | 0              | 0 | 0 | 0 | 0 | 0 | 0 | 0 | 0       | 0 | 0 | 0 | 0 | 0 | 0 | 0 | 0       | 0 | 0 | 0 | 0 | 0 | 0 | 0 | 0       | 0 | 0 | 0 | 0 | 0 | 0 | 0 |
| #41             | 0              | 0 | 0 | 0 | 0 | 0 | 0 | 0 | 0       | 0 | 0 | 0 | 0 | 0 | 0 | 0 | 0       | 0 | 0 | 0 | 0 | 0 | 0 | 0 | 0       | 0 | 0 | 0 | 0 | 0 | 0 | 0 |
| #42             | 0              | 0 | 0 | 0 | 0 | 0 | 0 | 0 | 0       | 0 | 0 | 0 | 0 | 0 | 0 | 0 | 0       | 0 | 0 | 0 | 0 | 0 | 0 | 0 | 0       | 0 | 0 | 0 | 0 | 0 | 0 | 0 |
| #43             | 0              | 0 | 0 | 0 | 0 | 0 | 0 | 0 | 0       | 0 | 0 | 0 | 0 | 0 | 0 | 0 | 0       | 0 | 0 | 0 | 0 | 0 | 0 | 0 | 0       | 0 | 0 | 0 | 0 | 0 | 0 | 0 |
| #44             | 0              | 0 | 0 | 0 | 0 | 0 | 0 | 0 | 0       | 0 | 0 | 0 | 0 | 0 | 0 | 0 | 0       | 0 | 0 | 0 | 0 | 0 | 0 | 0 | 0       | 0 | 0 | 0 | 0 | 0 | 0 | 0 |
| #45             | 0              | 0 | 0 | 0 | 0 | 0 | 0 | 0 | 0       | 0 | 0 | 0 | 0 | 0 | 0 | 0 | 0       | 0 | 0 | 0 | 0 | 0 | 0 | 0 | 0       | 0 | 0 | 0 | 0 | 0 | 0 | 0 |
| #46             | 0              | 1 | 0 | 1 | 0 | 0 | 0 | 0 | 0       | 1 | 0 | 1 | 0 | 0 | 0 | 0 | 0       | 1 | 0 | 1 | 0 | 0 | 0 | 0 | 0       | 1 | 0 | 1 | 0 | 0 | 0 | 0 |
| #47             | 0              | 0 | 0 | 0 | 0 | 0 | 0 | 0 | 0       | 0 | 0 | 0 | 0 | 0 | 0 | 0 | 0       | 0 | 0 | 0 | 0 | 0 | 0 | 0 | 0       | 0 | 0 | 0 | 0 | 0 | 0 | 0 |
| #48             | 0              | 0 | 0 | 1 | 0 | 1 | 0 | 1 | 0       | 0 | 0 | 1 | 0 | 1 | 0 | 1 | 0       | 0 | 0 | 1 | 0 | 1 | 0 | 1 | 0       | 0 | 0 | 1 | 0 | 1 | 0 | 1 |
| #49             | 1              | 0 | 0 | 0 | 0 | 0 | 0 | 0 | 1       | 0 | 0 | 0 | 0 | 0 | 0 | 0 | 1       | 0 | 0 | 0 | 0 | 0 | 0 | 1 | 0       | 0 | 0 | 0 | 0 | 0 | 0 |   |
| #50             | 1              | 0 | 0 | 1 | 0 | 0 | 0 | 0 | 1       | 0 | 0 | 1 | 0 | 0 | 0 | 0 | 1       | 0 | 0 | 1 | 0 | 0 | 0 | 1 | 0       | 0 | 1 | 0 | 0 | 0 | 0 |   |
| #51             | 0              | 0 | 0 | 0 | 0 | 0 | 0 | 0 | 0       | 0 | 0 | 0 | 0 | 0 | 0 | 0 | 0       | 0 | 0 | 0 | 0 | 0 | 0 | 0 | 0       | 0 | 0 | 0 | 0 | 0 | 0 |   |
| #52             | 0              | 0 | 0 | 0 | 0 | 0 | 0 | 0 | 0       | 0 | 0 | 0 | 0 | 0 | 0 | 0 | 0       | 0 | 0 | 0 | 0 | 0 | 0 | 0 | 0       | 0 | 0 | 0 | 0 | 0 | 0 |   |
| #53             | 0              | 0 | 0 | 0 | 0 | 0 | 0 | 0 | 0       | 0 | 0 | 0 | 0 | 0 | 0 | 0 | 0       | 0 | 0 | 0 | 0 | 0 | 0 | 0 | 0       | 0 | 0 | 0 | 0 | 0 | 0 |   |
| #54             | 0              | 0 | 0 | 1 | 0 | 1 | 0 | 1 | 0       | 0 | 0 | 1 | 0 | 1 | 0 | 1 | 0       | 0 | 0 | 1 | 0 | 1 | 0 | 1 | 0       | 0 | 0 | 1 | 0 | 1 | 0 | 1 |
| #55             | 0              | 0 | 0 | 0 | 0 | 0 | 1 | 0 | 0       | 0 | 0 | 0 | 0 | 0 | 1 | 0 | 0       | 0 | 0 | 0 | 0 | 0 | 1 | 0 | 0       | 0 | 0 | 0 | 0 | 1 | 0 |   |
| #56             | 1              | 0 | 0 | 1 | 0 | 0 | 0 | 0 | 1       | 0 | 0 | 1 | 0 | 0 | 0 | 0 | 1       | 0 | 0 | 1 | 0 | 0 | 0 | 0 | 1       | 0 | 0 | 1 | 0 | 0 | 0 |   |
| #57             | 0              | 0 | 0 | 0 | 0 | 0 | 0 | 0 | 0       | 0 | 0 | 0 | 0 | 0 | 0 | 0 | 0       | 0 | 0 | 0 | 0 | 0 | 0 | 0 | 0       | 0 | 0 | 0 | 0 | 0 | 0 |   |
| #58             | 0              | 0 | 0 | 0 | 0 | 0 | 0 | 0 | 0       | 0 | 0 | 0 | 0 | 0 | 0 | 0 | 0       | 0 | 0 | 0 | 0 | 0 | 0 | 0 | 0       | 0 | 0 | 0 | 0 | 0 | 0 |   |
| #59             | 0              | 0 | 1 | 0 | 0 | 0 | 0 | 0 | 0       | 1 | 0 | 0 | 0 | 0 | 0 | 0 | 0       | 1 | 0 | 0 | 0 | 0 | 0 | 0 | 0       | 0 | 0 | 1 | 0 | 0 | 0 |   |
| #60             | 0              | 0 | 0 | 0 | 0 | 0 | 0 | 0 | 0       | 0 | 0 | 0 | 0 | 0 | 0 | 0 | 0       | 0 | 0 | 0 | 0 | 0 | 0 | 0 | 0       | 0 | 0 | 0 | 0 | 0 | 0 |   |
| #61             | 1              | 1 | 1 | 1 | 0 | 0 | 0 | 0 | 1       | 1 | 1 | 1 | 0 | 0 | 0 | 0 | 1       | 1 | 1 | 1 | 0 | 0 | 0 | 0 | 1       | 1 | 1 | 1 | 0 | 0 | 0 |   |
| #62             | 0              | 0 | 0 | 0 | 0 | 0 | 0 | 0 | 0       | 0 | 0 | 0 | 0 | 0 | 0 | 0 | 0       | 0 | 0 | 0 | 0 | 0 | 0 | 0 | 0       | 0 | 0 | 0 | 0 | 0 | 0 |   |
| #63             | 0              | 0 | 0 | 0 | 0 | 0 | 0 | 1 | 0       | 0 | 0 | 0 | 0 | 0 | 1 | 0 | 0       | 0 | 0 | 0 | 0 | 0 | 1 | 0 | 0       | 0 | 0 | 0 | 0 | 1 | 0 |   |
| #64             | 0              | 0 | 0 | 0 | 0 | 0 | 0 | 0 | 0       | 0 | 0 | 0 | 0 | 0 | 0 | 0 | 0       | 0 | 0 | 0 | 0 | 0 | 0 | 0 | 0       | 0 | 0 | 0 | 0 | 0 | 0 |   |

bizhub C25

ADJUSTMENT / SETTING

**E. Market area 5**

| Soft Switch No. | Marketing area |   |   |   |   |   |   |   |         |   |   |   |   |   |   |   |         |   |   |   |   |   |   |   |         |   |   |   |   |   |   |   |   |   |   |   |   |   |   |
|-----------------|----------------|---|---|---|---|---|---|---|---------|---|---|---|---|---|---|---|---------|---|---|---|---|---|---|---|---------|---|---|---|---|---|---|---|---|---|---|---|---|---|---|
|                 | Hong Kong      |   |   |   |   |   |   |   | Hungary |   |   |   |   |   |   |   | Ireland |   |   |   |   |   |   |   | Israel  |   |   |   |   |   |   |   |   |   |   |   |   |   |   |
|                 | Bit No.        |   |   |   |   |   |   |   | Bit No. |   |   |   |   |   |   |   | Bit No. |   |   |   |   |   |   |   | Bit No. |   |   |   |   |   |   |   |   |   |   |   |   |   |   |
|                 | 1              | 2 | 3 | 4 | 5 | 6 | 7 | 8 | 1       | 2 | 3 | 4 | 5 | 6 | 7 | 8 | 1       | 2 | 3 | 4 | 5 | 6 | 7 | 8 | 1       | 2 | 3 | 4 | 5 | 6 | 7 | 8 |   |   |   |   |   |   |   |
| #01             | 1              | 0 | 0 | 0 | 0 | 0 | 0 | 1 | 0       | 0 | 0 | 0 | 0 | 0 | 0 | 1 | 0       | 0 | 0 | 0 | 0 | 0 | 0 | 1 | 0       | 0 | 0 | 0 | 0 | 0 | 0 |   |   |   |   |   |   |   |   |
| #02             | 0              | 0 | 0 | 0 | 0 | 1 | 0 | 0 | 0       | 0 | 0 | 0 | 1 | 0 | 0 | 0 | 0       | 0 | 0 | 1 | 0 | 0 | 0 | 0 | 0       | 0 | 0 | 0 | 1 | 0 | 0 |   |   |   |   |   |   |   |   |
| #03             | 0              | 1 | 1 | 0 | 0 | 0 | 0 | 1 | 0       | 1 | 1 | 0 | 0 | 0 | 1 | 1 | 0       | 1 | 1 | 0 | 0 | 0 | 1 | 1 | 0       | 1 | 1 | 0 | 0 | 0 | 0 | 1 |   |   |   |   |   |   |   |
| #04             | 0              | 0 | 1 | 1 | 0 | 0 | 0 | 0 | 1       | 0 | 1 | 1 | 0 | 0 | 0 | 0 | 1       | 0 | 1 | 1 | 0 | 0 | 0 | 0 | 1       | 0 | 1 | 1 | 0 | 0 | 0 | 0 |   |   |   |   |   |   |   |
| #05             | 0              | 1 | 0 | 0 | 0 | 0 | 0 | 0 | 1       | 0 | 0 | 0 | 0 | 0 | 1 | 1 | 1       | 0 | 0 | 0 | 0 | 1 | 1 | 1 | 0       | 0 | 0 | 0 | 0 | 0 | 0 | 0 |   |   |   |   |   |   |   |
| #06             | 0              | 0 | 0 | 0 | 0 | 0 | 0 | 0 | 0       | 0 | 0 | 0 | 0 | 0 | 0 | 0 | 0       | 0 | 0 | 0 | 0 | 0 | 0 | 0 | 0       | 0 | 0 | 0 | 0 | 0 | 0 | 0 |   |   |   |   |   |   |   |
| #07             | 1              | 1 | 1 | 0 | 0 | 0 | 0 | 0 | 1       | 1 | 1 | 0 | 0 | 0 | 0 | 1 | 1       | 1 | 0 | 0 | 0 | 0 | 1 | 1 | 1       | 0 | 0 | 0 | 0 | 0 | 0 | 0 |   |   |   |   |   |   |   |
| #08             | 0              | 0 | 0 | 0 | 0 | 1 | 1 | 0 | 0       | 0 | 0 | 0 | 1 | 1 | 0 | 0 | 0       | 0 | 0 | 1 | 1 | 0 | 0 | 0 | 0       | 0 | 0 | 0 | 1 | 1 | 0 | 0 |   |   |   |   |   |   |   |
| #09             | 0              | 0 | 0 | 0 | 0 | 0 | 0 | 0 | 0       | 0 | 0 | 1 | 0 | 0 | 0 | 0 | 0       | 0 | 0 | 1 | 0 | 0 | 0 | 0 | 0       | 0 | 0 | 0 | 0 | 0 | 0 | 0 |   |   |   |   |   |   |   |
| #10             | 1              | 0 | 0 | 0 | 0 | 1 | 0 | 1 | 1       | 1 | 0 | 1 | 0 | 1 | 1 | 1 | 1       | 1 | 1 | 1 | 0 | 1 | 1 | 1 | 1       | 1 | 1 | 0 | 0 | 0 | 1 | 0 | 1 |   |   |   |   |   |   |
| #11             | 0              | 0 | 0 | 0 | 0 | 0 | 0 | 0 | 0       | 0 | 0 | 0 | 0 | 0 | 0 | 0 | 0       | 0 | 0 | 0 | 0 | 0 | 0 | 0 | 0       | 0 | 0 | 0 | 0 | 0 | 0 | 0 | 0 |   |   |   |   |   |   |
| #12             | 0              | 0 | 0 | 0 | 0 | 0 | 0 | 1 | 0       | 0 | 1 | 0 | 0 | 0 | 0 | 1 | 0       | 0 | 1 | 0 | 0 | 0 | 0 | 0 | 1       | 0 | 0 | 0 | 0 | 0 | 0 | 0 | 1 |   |   |   |   |   |   |
| #13             | 0              | 0 | 0 | 0 | 1 | 0 | 0 | 0 | 0       | 0 | 0 | 0 | 1 | 0 | 0 | 0 | 0       | 0 | 0 | 0 | 0 | 0 | 0 | 0 | 0       | 0 | 0 | 0 | 1 | 0 | 0 | 0 | 0 |   |   |   |   |   |   |
| #14             | 0              | 1 | 0 | 0 | 1 | 0 | 0 | 0 | 0       | 0 | 1 | 0 | 1 | 0 | 0 | 0 | 0       | 0 | 0 | 0 | 0 | 0 | 0 | 0 | 0       | 0 | 0 | 1 | 0 | 0 | 0 | 0 | 0 |   |   |   |   |   |   |
| #15             | 0              | 0 | 0 | 0 | 0 | 0 | 0 | 0 | 0       | 0 | 0 | 0 | 0 | 0 | 0 | 0 | 0       | 0 | 0 | 0 | 0 | 0 | 0 | 0 | 0       | 0 | 0 | 0 | 0 | 0 | 0 | 0 | 0 |   |   |   |   |   |   |
| #16             | 1              | 1 | 0 | 0 | 0 | 0 | 0 | 0 | 0       | 1 | 1 | 0 | 0 | 0 | 0 | 0 | 0       | 0 | 0 | 0 | 0 | 0 | 0 | 0 | 0       | 0 | 0 | 1 | 1 | 0 | 0 | 0 | 0 | 0 |   |   |   |   |   |
| #17             | 0              | 0 | 0 | 0 | 0 | 0 | 0 | 0 | 0       | 0 | 0 | 0 | 0 | 0 | 0 | 0 | 0       | 0 | 0 | 0 | 0 | 0 | 0 | 0 | 0       | 0 | 0 | 0 | 0 | 0 | 0 | 0 | 0 | 0 |   |   |   |   |   |
| #18             | 0              | 1 | 0 | 0 | 0 | 0 | 0 | 0 | 0       | 0 | 1 | 0 | 0 | 0 | 0 | 0 | 0       | 0 | 0 | 0 | 0 | 0 | 0 | 0 | 0       | 0 | 0 | 0 | 1 | 0 | 0 | 0 | 0 | 0 |   |   |   |   |   |
| #19             | 0              | 0 | 0 | 1 | 1 | 1 | 1 | 0 | 1       | 1 | 0 | 1 | 1 | 1 | 1 | 0 | 1       | 1 | 0 | 1 | 1 | 1 | 1 | 0 | 0       | 0 | 0 | 1 | 1 | 1 | 1 | 0 | 0 | 0 |   |   |   |   |   |
| #20             | 0              | 0 | 0 | 0 | 0 | 1 | 1 | 0 | 0       | 0 | 0 | 0 | 0 | 0 | 1 | 1 | 0       | 0 | 0 | 0 | 0 | 1 | 1 | 0 | 0       | 0 | 0 | 0 | 0 | 0 | 0 | 0 | 0 | 0 | 0 |   |   |   |   |
| #21             | 0              | 0 | 0 | 0 | 0 | 0 | 1 | 1 | 0       | 0 | 0 | 0 | 0 | 0 | 1 | 1 | 0       | 0 | 0 | 0 | 0 | 1 | 1 | 0 | 0       | 0 | 0 | 0 | 0 | 0 | 0 | 0 | 0 | 0 | 0 |   |   |   |   |
| #22             | 1              | 1 | 1 | 0 | 0 | 0 | 0 | 0 | 1       | 1 | 1 | 0 | 0 | 0 | 0 | 0 | 0       | 1 | 1 | 1 | 0 | 0 | 0 | 0 | 0       | 0 | 0 | 1 | 1 | 1 | 0 | 0 | 0 | 0 | 0 |   |   |   |   |
| #23             | 0              | 0 | 1 | 0 | 0 | 0 | 0 | 0 | 0       | 1 | 1 | 0 | 0 | 0 | 0 | 0 | 0       | 0 | 0 | 0 | 0 | 0 | 0 | 0 | 0       | 0 | 0 | 0 | 1 | 1 | 0 | 0 | 0 | 0 | 0 | 0 |   |   |   |
| #24             | 0              | 1 | 0 | 0 | 0 | 0 | 0 | 0 | 0       | 0 | 1 | 0 | 0 | 0 | 0 | 0 | 0       | 0 | 0 | 0 | 0 | 0 | 0 | 0 | 0       | 0 | 0 | 0 | 1 | 0 | 0 | 0 | 0 | 0 | 0 | 0 |   |   |   |
| #25             | 0              | 1 | 0 | 0 | 0 | 0 | 0 | 0 | 0       | 0 | 0 | 0 | 0 | 0 | 0 | 0 | 0       | 0 | 0 | 0 | 0 | 0 | 0 | 0 | 0       | 0 | 0 | 0 | 0 | 0 | 0 | 0 | 0 | 0 | 0 | 0 |   |   |   |
| #26             | 0              | 0 | 0 | 0 | 0 | 0 | 0 | 0 | 0       | 0 | 0 | 0 | 0 | 0 | 0 | 0 | 0       | 0 | 0 | 0 | 0 | 0 | 0 | 0 | 0       | 0 | 0 | 0 | 0 | 0 | 0 | 0 | 0 | 0 | 0 | 0 | 0 |   |   |
| #27             | 0              | 0 | 0 | 0 | 0 | 0 | 0 | 0 | 0       | 0 | 0 | 0 | 0 | 0 | 0 | 0 | 0       | 0 | 0 | 0 | 0 | 0 | 0 | 0 | 0       | 0 | 0 | 0 | 0 | 0 | 0 | 0 | 0 | 0 | 0 | 0 | 0 |   |   |
| #28             | 1              | 1 | 1 | 0 | 0 | 1 | 0 | 1 | 0       | 1 | 1 | 0 | 1 | 0 | 1 | 0 | 1       | 0 | 1 | 0 | 1 | 0 | 1 | 0 | 1       | 0 | 1 | 1 | 1 | 0 | 0 | 1 | 0 | 0 | 1 | 0 | 1 |   |   |
| #29             | 0              | 0 | 1 | 0 | 1 | 0 | 0 | 0 | 0       | 0 | 0 | 0 | 1 | 0 | 0 | 0 | 0       | 0 | 0 | 0 | 0 | 0 | 0 | 0 | 0       | 0 | 0 | 0 | 0 | 0 | 0 | 0 | 0 | 0 | 0 | 0 | 0 | 0 |   |
| #30             | 0              | 0 | 0 | 0 | 0 | 0 | 0 | 1 | 0       | 0 | 0 | 0 | 0 | 0 | 0 | 0 | 0       | 0 | 0 | 0 | 0 | 0 | 0 | 0 | 0       | 0 | 0 | 0 | 0 | 0 | 0 | 0 | 0 | 0 | 0 | 0 | 0 | 0 |   |
| #31             | 0              | 1 | 0 | 1 | 0 | 1 | 0 | 0 | 0       | 0 | 0 | 1 | 0 | 1 | 0 | 1 | 0       | 0 | 0 | 0 | 0 | 0 | 0 | 0 | 0       | 0 | 0 | 0 | 0 | 1 | 0 | 0 | 0 | 0 | 0 | 0 | 0 | 0 |   |
| #32             | 1              | 0 | 1 | 1 | 0 | 0 | 0 | 0 | 0       | 1 | 0 | 1 | 1 | 0 | 0 | 0 | 0       | 0 | 0 | 0 | 0 | 0 | 0 | 0 | 0       | 0 | 0 | 0 | 0 | 0 | 0 | 0 | 0 | 0 | 0 | 0 | 0 | 0 |   |
| #33             | 0              | 0 | 0 | 0 | 0 | 0 | 0 | 1 | 0       | 0 | 0 | 0 | 0 | 0 | 0 | 0 | 0       | 0 | 0 | 0 | 0 | 0 | 0 | 0 | 0       | 0 | 0 | 0 | 0 | 0 | 0 | 0 | 0 | 0 | 0 | 0 | 0 | 0 |   |
| #34             | 0              | 0 | 0 | 0 | 0 | 0 | 0 | 0 | 0       | 0 | 0 | 0 | 0 | 0 | 0 | 0 | 0       | 0 | 0 | 0 | 0 | 0 | 0 | 0 | 0       | 0 | 0 | 0 | 0 | 0 | 0 | 0 | 0 | 0 | 0 | 0 | 0 | 0 | 0 |
| #35             | 0              | 0 | 0 | 0 | 1 | 0 | 0 | 0 | 0       | 0 | 0 | 0 | 0 | 1 | 0 | 0 | 0       | 0 | 0 | 0 | 0 | 0 | 0 | 0 | 0       | 0 | 0 | 0 | 0 | 0 | 0 | 0 | 0 | 0 | 0 | 0 | 0 | 0 | 0 |
| #36             | 0              | 1 | 0 | 1 | 0 | 0 | 0 | 0 | 0       | 0 | 1 | 0 | 1 | 0 | 0 | 0 | 0       | 0 | 0 | 0 | 0 | 0 | 0 | 0 | 0       | 0 | 0 | 0 | 0 | 0 | 0 | 0 | 0 | 0 | 0 | 0 | 0 | 0 | 0 |
| #37             | 0              | 0 | 0 | 0 | 0 | 0 | 0 | 0 | 0       | 0 | 0 | 0 | 0 | 0 | 0 | 0 | 0       | 0 | 0 | 0 | 0 | 0 | 0 | 0 | 0       | 0 | 0 | 0 | 0 | 0 | 0 | 0 | 0 | 0 | 0 | 0 | 0 | 0 | 0 |
| #38             | 1              | 0 | 0 | 0 | 0 | 1 | 0 | 0 | 0       | 0 | 0 | 1 | 0 | 0 | 0 | 0 | 0       | 0 | 0 | 0 | 0 | 0 | 0 | 0 | 0       | 0 | 0 | 0 | 0 | 0 | 0 | 0 | 0 | 0 | 0 | 0 | 0 | 0 | 0 |

bizhub C25

ADJUSTMENT / SETTING

| Soft Switch No. | Marketing area |   |   |   |   |   |   |   |         |   |   |   |   |   |   |   |         |   |   |   |   |   |   |   |         |   |   |   |   |   |   |   |
|-----------------|----------------|---|---|---|---|---|---|---|---------|---|---|---|---|---|---|---|---------|---|---|---|---|---|---|---|---------|---|---|---|---|---|---|---|
|                 | Hong Kong      |   |   |   |   |   |   |   | Hungary |   |   |   |   |   |   |   | Ireland |   |   |   |   |   |   |   | Israel  |   |   |   |   |   |   |   |
|                 | Bit No.        |   |   |   |   |   |   |   | Bit No. |   |   |   |   |   |   |   | Bit No. |   |   |   |   |   |   |   | Bit No. |   |   |   |   |   |   |   |
|                 | 1              | 2 | 3 | 4 | 5 | 6 | 7 | 8 | 1       | 2 | 3 | 4 | 5 | 6 | 7 | 8 | 1       | 2 | 3 | 4 | 5 | 6 | 7 | 8 | 1       | 2 | 3 | 4 | 5 | 6 | 7 | 8 |
| #39             | 1              | 0 | 0 | 0 | 0 | 0 | 0 | 1 | 0       | 0 | 0 | 0 | 0 | 0 | 0 | 1 | 0       | 0 | 0 | 0 | 0 | 0 | 0 | 1 | 0       | 0 | 0 | 0 | 0 | 0 | 0 |   |
| #40             | 0              | 0 | 0 | 0 | 0 | 0 | 0 | 0 | 0       | 0 | 0 | 0 | 0 | 0 | 0 | 0 | 0       | 0 | 0 | 0 | 0 | 0 | 0 | 0 | 0       | 0 | 0 | 0 | 0 | 0 | 0 |   |
| #41             | 0              | 0 | 0 | 0 | 0 | 0 | 0 | 0 | 0       | 0 | 0 | 0 | 0 | 0 | 0 | 0 | 0       | 0 | 0 | 0 | 0 | 0 | 0 | 0 | 0       | 0 | 0 | 0 | 0 | 0 | 0 |   |
| #42             | 0              | 0 | 0 | 0 | 0 | 0 | 0 | 0 | 0       | 0 | 0 | 0 | 0 | 0 | 0 | 0 | 0       | 0 | 0 | 0 | 0 | 0 | 0 | 0 | 0       | 0 | 0 | 0 | 0 | 0 | 0 |   |
| #43             | 0              | 0 | 0 | 0 | 0 | 0 | 0 | 0 | 0       | 0 | 0 | 0 | 0 | 0 | 0 | 0 | 0       | 0 | 0 | 0 | 0 | 0 | 0 | 0 | 0       | 0 | 0 | 0 | 0 | 0 | 0 |   |
| #44             | 0              | 0 | 0 | 0 | 0 | 0 | 0 | 0 | 0       | 0 | 0 | 0 | 0 | 0 | 0 | 0 | 0       | 0 | 0 | 0 | 0 | 0 | 0 | 0 | 0       | 0 | 0 | 0 | 0 | 0 | 0 |   |
| #45             | 0              | 0 | 0 | 0 | 0 | 0 | 0 | 0 | 0       | 0 | 0 | 0 | 0 | 0 | 0 | 0 | 0       | 0 | 0 | 0 | 0 | 0 | 0 | 0 | 0       | 0 | 0 | 0 | 0 | 0 | 0 |   |
| #46             | 0              | 1 | 0 | 1 | 0 | 0 | 0 | 0 | 1       | 0 | 1 | 0 | 0 | 0 | 0 | 0 | 1       | 0 | 1 | 0 | 0 | 0 | 0 | 0 | 1       | 0 | 1 | 0 | 0 | 0 | 0 |   |
| #47             | 0              | 0 | 0 | 0 | 0 | 0 | 0 | 0 | 0       | 0 | 0 | 0 | 0 | 0 | 0 | 0 | 0       | 0 | 0 | 0 | 0 | 0 | 0 | 0 | 0       | 0 | 0 | 0 | 0 | 0 | 0 |   |
| #48             | 0              | 0 | 0 | 1 | 0 | 1 | 0 | 1 | 0       | 0 | 0 | 1 | 0 | 1 | 0 | 1 | 0       | 0 | 0 | 1 | 0 | 1 | 0 | 1 | 0       | 0 | 0 | 1 | 0 | 1 | 0 |   |
| #49             | 1              | 0 | 0 | 0 | 0 | 0 | 0 | 0 | 1       | 0 | 0 | 0 | 0 | 0 | 0 | 0 | 1       | 0 | 0 | 0 | 0 | 0 | 0 | 1 | 0       | 0 | 0 | 0 | 0 | 0 | 0 |   |
| #50             | 1              | 0 | 0 | 1 | 0 | 0 | 0 | 0 | 1       | 0 | 0 | 1 | 0 | 0 | 0 | 0 | 1       | 0 | 0 | 1 | 0 | 0 | 0 | 1 | 0       | 0 | 1 | 0 | 0 | 0 | 0 |   |
| #51             | 0              | 0 | 0 | 0 | 0 | 0 | 0 | 0 | 0       | 0 | 0 | 0 | 0 | 0 | 0 | 0 | 0       | 0 | 0 | 0 | 0 | 0 | 0 | 0 | 0       | 0 | 0 | 0 | 0 | 0 | 0 |   |
| #52             | 0              | 0 | 0 | 0 | 0 | 0 | 0 | 0 | 0       | 0 | 0 | 0 | 0 | 0 | 0 | 0 | 0       | 0 | 0 | 0 | 0 | 0 | 0 | 0 | 0       | 0 | 0 | 0 | 0 | 0 | 0 |   |
| #53             | 0              | 0 | 0 | 0 | 0 | 0 | 0 | 0 | 0       | 0 | 0 | 0 | 0 | 0 | 0 | 0 | 0       | 0 | 0 | 0 | 0 | 0 | 0 | 0 | 0       | 0 | 0 | 0 | 0 | 0 | 0 |   |
| #54             | 0              | 0 | 0 | 1 | 0 | 1 | 0 | 0 | 0       | 0 | 1 | 0 | 1 | 0 | 1 | 0 | 0       | 0 | 1 | 0 | 1 | 0 | 1 | 0 | 0       | 0 | 1 | 0 | 1 | 0 | 1 |   |
| #55             | 1              | 0 | 0 | 0 | 0 | 1 | 0 | 0 | 0       | 0 | 0 | 0 | 0 | 0 | 0 | 0 | 0       | 0 | 0 | 0 | 0 | 1 | 0 | 0 | 0       | 0 | 0 | 0 | 0 | 1 | 0 |   |
| #56             | 1              | 0 | 0 | 1 | 0 | 0 | 0 | 0 | 1       | 0 | 0 | 1 | 0 | 0 | 0 | 0 | 1       | 0 | 0 | 1 | 0 | 0 | 0 | 0 | 1       | 0 | 0 | 1 | 0 | 0 | 0 |   |
| #57             | 0              | 0 | 0 | 0 | 0 | 0 | 0 | 0 | 0       | 0 | 0 | 0 | 0 | 0 | 0 | 0 | 0       | 0 | 0 | 0 | 0 | 0 | 0 | 0 | 0       | 0 | 0 | 0 | 0 | 0 | 0 |   |
| #58             | 0              | 0 | 0 | 0 | 0 | 0 | 0 | 0 | 0       | 0 | 0 | 0 | 0 | 0 | 0 | 0 | 0       | 0 | 0 | 0 | 0 | 0 | 0 | 0 | 0       | 0 | 0 | 0 | 0 | 0 | 0 |   |
| #59             | 0              | 0 | 0 | 0 | 1 | 0 | 0 | 0 | 0       | 1 | 0 | 0 | 0 | 0 | 0 | 0 | 0       | 0 | 0 | 0 | 0 | 0 | 0 | 0 | 0       | 0 | 0 | 1 | 0 | 0 | 0 |   |
| #60             | 0              | 0 | 0 | 0 | 0 | 0 | 0 | 0 | 0       | 0 | 0 | 0 | 0 | 0 | 0 | 0 | 0       | 0 | 0 | 0 | 0 | 0 | 0 | 0 | 0       | 0 | 0 | 0 | 0 | 0 | 0 |   |
| #61             | 1              | 1 | 1 | 1 | 0 | 0 | 0 | 0 | 1       | 1 | 1 | 1 | 0 | 0 | 0 | 0 | 1       | 1 | 1 | 1 | 0 | 0 | 0 | 0 | 1       | 1 | 1 | 1 | 0 | 0 | 0 |   |
| #62             | 0              | 0 | 0 | 0 | 0 | 0 | 0 | 0 | 0       | 0 | 0 | 0 | 0 | 0 | 0 | 0 | 0       | 0 | 0 | 0 | 0 | 0 | 0 | 0 | 0       | 0 | 0 | 0 | 0 | 0 | 0 |   |
| #63             | 0              | 0 | 0 | 0 | 0 | 0 | 0 | 1 | 0       | 0 | 0 | 0 | 0 | 0 | 1 | 0 | 0       | 0 | 0 | 0 | 0 | 0 | 1 | 0 | 0       | 0 | 0 | 0 | 0 | 0 | 1 |   |
| #64             | 0              | 0 | 0 | 0 | 0 | 0 | 0 | 0 | 0       | 0 | 0 | 0 | 0 | 0 | 0 | 0 | 0       | 0 | 0 | 0 | 0 | 0 | 0 | 0 | 0       | 0 | 0 | 0 | 0 | 0 | 0 |   |



**F. Market area 6**

| Soft Switch No. | Marketing area |   |   |   |   |   |   |   |         |   |   |   |   |   |   |   |          |   |   |   |   |   |   |   |         |   |   |   |   |   |   |   |   |   |   |   |   |   |   |   |
|-----------------|----------------|---|---|---|---|---|---|---|---------|---|---|---|---|---|---|---|----------|---|---|---|---|---|---|---|---------|---|---|---|---|---|---|---|---|---|---|---|---|---|---|---|
|                 | Italy          |   |   |   |   |   |   |   | Korea   |   |   |   |   |   |   |   | Malaysia |   |   |   |   |   |   |   | Mexico  |   |   |   |   |   |   |   |   |   |   |   |   |   |   |   |
|                 | Bit No.        |   |   |   |   |   |   |   | Bit No. |   |   |   |   |   |   |   | Bit No.  |   |   |   |   |   |   |   | Bit No. |   |   |   |   |   |   |   |   |   |   |   |   |   |   |   |
|                 | 1              | 2 | 3 | 4 | 5 | 6 | 7 | 8 | 1       | 2 | 3 | 4 | 5 | 6 | 7 | 8 | 1        | 2 | 3 | 4 | 5 | 6 | 7 | 8 | 1       | 2 | 3 | 4 | 5 | 6 | 7 | 8 |   |   |   |   |   |   |   |   |
| #01             | 1              | 0 | 0 | 0 | 0 | 0 | 0 | 0 | 1       | 0 | 0 | 0 | 0 | 0 | 0 | 0 | 0        | 1 | 0 | 0 | 0 | 0 | 0 | 0 | 0       | 0 | 1 | 0 | 0 | 0 | 0 | 0 | 0 | 0 | 0 |   |   |   |   |   |
| #02             | 0              | 0 | 0 | 0 | 0 | 1 | 0 | 0 | 0       | 0 | 0 | 0 | 0 | 0 | 0 | 0 | 0        | 0 | 0 | 0 | 0 | 1 | 0 | 0 | 0       | 0 | 0 | 0 | 0 | 0 | 0 | 1 | 0 | 0 | 0 | 0 |   |   |   |   |
| #03             | 0              | 1 | 1 | 0 | 0 | 0 | 1 | 1 | 0       | 1 | 1 | 0 | 0 | 0 | 0 | 1 | 0        | 1 | 1 | 0 | 0 | 0 | 0 | 1 | 0       | 1 | 1 | 0 | 0 | 0 | 0 | 0 | 1 | 0 | 0 | 0 | 1 |   |   |   |
| #04             | 1              | 0 | 1 | 1 | 0 | 0 | 0 | 0 | 0       | 0 | 1 | 1 | 0 | 0 | 0 | 0 | 0        | 0 | 0 | 1 | 0 | 0 | 0 | 0 | 0       | 0 | 0 | 0 | 1 | 0 | 0 | 0 | 0 | 0 | 0 | 0 | 0 |   |   |   |
| #05             | 1              | 0 | 0 | 0 | 0 | 0 | 1 | 1 | 1       | 0 | 0 | 0 | 0 | 0 | 0 | 0 | 0        | 0 | 0 | 0 | 1 | 0 | 0 | 0 | 0       | 0 | 0 | 1 | 0 | 0 | 0 | 0 | 0 | 0 | 0 | 0 | 0 |   |   |   |
| #06             | 0              | 0 | 0 | 0 | 0 | 0 | 0 | 0 | 0       | 0 | 0 | 0 | 0 | 0 | 0 | 0 | 0        | 0 | 0 | 0 | 0 | 0 | 0 | 0 | 0       | 0 | 0 | 0 | 0 | 0 | 0 | 0 | 0 | 0 | 0 | 0 | 0 |   |   |   |
| #07             | 1              | 1 | 1 | 0 | 0 | 0 | 0 | 1 | 1       | 1 | 1 | 0 | 0 | 0 | 0 | 0 | 0        | 1 | 1 | 1 | 0 | 0 | 0 | 0 | 0       | 0 | 1 | 1 | 1 | 0 | 0 | 0 | 0 | 0 | 0 | 0 | 0 |   |   |   |
| #08             | 0              | 0 | 0 | 0 | 0 | 1 | 1 | 0 | 0       | 0 | 0 | 0 | 1 | 1 | 0 | 0 | 0        | 0 | 0 | 0 | 0 | 1 | 1 | 0 | 0       | 0 | 0 | 0 | 0 | 0 | 1 | 1 | 0 | 0 | 0 | 0 | 1 | 1 |   |   |
| #09             | 0              | 0 | 0 | 0 | 1 | 0 | 0 | 0 | 0       | 0 | 0 | 0 | 0 | 0 | 0 | 0 | 0        | 0 | 0 | 0 | 0 | 0 | 0 | 0 | 0       | 0 | 0 | 0 | 0 | 0 | 0 | 0 | 0 | 0 | 0 | 0 | 0 | 0 |   |   |
| #10             | 1              | 1 | 1 | 0 | 1 | 1 | 1 | 1 | 1       | 0 | 0 | 0 | 0 | 1 | 0 | 1 | 1        | 0 | 0 | 0 | 0 | 1 | 0 | 1 | 1       | 0 | 0 | 0 | 0 | 1 | 0 | 0 | 0 | 0 | 1 | 0 | 0 | 1 | 0 |   |
| #11             | 1              | 0 | 0 | 0 | 0 | 0 | 0 | 0 | 0       | 0 | 0 | 0 | 0 | 0 | 0 | 0 | 0        | 0 | 0 | 0 | 0 | 0 | 0 | 0 | 0       | 0 | 0 | 0 | 0 | 0 | 0 | 0 | 0 | 0 | 0 | 0 | 0 | 0 |   |   |
| #12             | 0              | 0 | 1 | 0 | 0 | 0 | 0 | 1 | 0       | 0 | 0 | 0 | 0 | 0 | 0 | 1 | 0        | 0 | 0 | 0 | 0 | 0 | 0 | 0 | 0       | 1 | 0 | 0 | 0 | 0 | 0 | 0 | 0 | 0 | 0 | 0 | 0 | 1 |   |   |
| #13             | 0              | 0 | 0 | 0 | 1 | 0 | 0 | 0 | 0       | 0 | 0 | 1 | 0 | 0 | 0 | 0 | 0        | 0 | 0 | 0 | 1 | 0 | 0 | 0 | 0       | 0 | 0 | 0 | 0 | 1 | 0 | 0 | 0 | 0 | 0 | 0 | 0 | 0 |   |   |
| #14             | 0              | 1 | 0 | 1 | 0 | 0 | 0 | 0 | 0       | 1 | 0 | 0 | 1 | 0 | 0 | 0 | 0        | 0 | 1 | 0 | 0 | 1 | 0 | 0 | 0       | 0 | 0 | 1 | 0 | 0 | 1 | 0 | 0 | 0 | 0 | 0 | 0 | 0 |   |   |
| #15             | 0              | 0 | 0 | 0 | 0 | 0 | 0 | 1 | 0       | 0 | 0 | 0 | 0 | 0 | 0 | 0 | 0        | 0 | 0 | 0 | 0 | 0 | 0 | 0 | 0       | 0 | 0 | 0 | 0 | 0 | 0 | 0 | 0 | 0 | 0 | 0 | 0 | 0 |   |   |
| #16             | 1              | 1 | 0 | 0 | 0 | 0 | 0 | 0 | 1       | 1 | 0 | 0 | 0 | 0 | 0 | 0 | 0        | 1 | 1 | 0 | 0 | 0 | 0 | 0 | 0       | 0 | 1 | 1 | 0 | 0 | 0 | 0 | 0 | 0 | 0 | 0 | 0 | 0 |   |   |
| #17             | 0              | 0 | 0 | 0 | 0 | 0 | 0 | 0 | 0       | 0 | 0 | 0 | 0 | 0 | 0 | 0 | 0        | 0 | 0 | 0 | 0 | 0 | 0 | 0 | 0       | 0 | 0 | 0 | 0 | 0 | 0 | 0 | 0 | 0 | 0 | 0 | 0 | 0 |   |   |
| #18             | 0              | 1 | 0 | 0 | 0 | 0 | 0 | 0 | 0       | 1 | 0 | 0 | 0 | 0 | 0 | 0 | 0        | 0 | 1 | 0 | 0 | 0 | 0 | 0 | 0       | 0 | 0 | 1 | 0 | 0 | 0 | 0 | 0 | 0 | 0 | 0 | 0 | 0 |   |   |
| #19             | 1              | 1 | 0 | 1 | 1 | 1 | 1 | 1 | 0       | 0 | 0 | 1 | 1 | 1 | 1 | 0 | 1        | 0 | 0 | 1 | 1 | 1 | 1 | 0 | 0       | 0 | 0 | 1 | 1 | 1 | 1 | 0 | 0 | 0 | 1 | 1 | 1 | 0 |   |   |
| #20             | 0              | 0 | 0 | 0 | 0 | 0 | 1 | 1 | 0       | 0 | 0 | 0 | 0 | 1 | 1 | 0 | 0        | 0 | 0 | 0 | 1 | 1 | 0 | 0 | 0       | 0 | 0 | 0 | 0 | 0 | 0 | 0 | 1 | 1 | 0 | 0 | 0 | 0 | 1 |   |
| #21             | 0              | 0 | 0 | 0 | 0 | 0 | 1 | 1 | 0       | 0 | 0 | 0 | 0 | 0 | 1 | 0 | 0        | 0 | 0 | 0 | 0 | 1 | 1 | 0 | 0       | 0 | 0 | 0 | 0 | 0 | 0 | 1 | 1 | 0 | 0 | 0 | 0 | 0 | 1 |   |
| #22             | 1              | 1 | 1 | 0 | 0 | 0 | 0 | 0 | 1       | 1 | 1 | 0 | 0 | 0 | 0 | 0 | 1        | 1 | 1 | 0 | 0 | 0 | 0 | 0 | 0       | 1 | 1 | 1 | 0 | 0 | 0 | 0 | 0 | 0 | 0 | 0 | 0 | 0 | 0 |   |
| #23             | 0              | 1 | 1 | 0 | 0 | 0 | 0 | 0 | 0       | 0 | 1 | 0 | 0 | 0 | 0 | 0 | 1        | 0 | 1 | 0 | 0 | 0 | 0 | 0 | 0       | 0 | 0 | 0 | 1 | 0 | 0 | 0 | 0 | 0 | 0 | 0 | 0 | 0 | 0 |   |
| #24             | 0              | 1 | 0 | 0 | 0 | 0 | 0 | 0 | 0       | 0 | 1 | 0 | 0 | 0 | 0 | 0 | 0        | 1 | 0 | 0 | 0 | 0 | 0 | 0 | 0       | 0 | 0 | 0 | 1 | 0 | 0 | 0 | 0 | 0 | 0 | 0 | 0 | 0 | 0 |   |
| #25             | 0              | 1 | 0 | 0 | 0 | 0 | 0 | 0 | 0       | 0 | 1 | 0 | 0 | 0 | 0 | 0 | 0        | 1 | 0 | 0 | 0 | 0 | 0 | 0 | 0       | 0 | 0 | 0 | 1 | 0 | 0 | 0 | 0 | 0 | 0 | 0 | 0 | 0 | 0 |   |
| #26             | 0              | 0 | 0 | 0 | 0 | 0 | 0 | 0 | 0       | 0 | 0 | 0 | 0 | 0 | 0 | 0 | 0        | 0 | 0 | 0 | 0 | 0 | 0 | 0 | 0       | 0 | 0 | 0 | 0 | 0 | 0 | 0 | 0 | 0 | 0 | 0 | 0 | 0 | 0 |   |
| #27             | 0              | 0 | 0 | 0 | 0 | 0 | 0 | 0 | 0       | 0 | 0 | 0 | 0 | 0 | 0 | 0 | 0        | 0 | 0 | 0 | 0 | 0 | 0 | 0 | 0       | 0 | 0 | 0 | 0 | 0 | 0 | 0 | 0 | 0 | 0 | 0 | 0 | 0 | 0 |   |
| #28             | 1              | 1 | 1 | 0 | 1 | 0 | 1 | 0 | 1       | 1 | 1 | 0 | 0 | 1 | 0 | 1 | 1        | 1 | 1 | 0 | 0 | 1 | 0 | 1 | 1       | 1 | 1 | 0 | 0 | 1 | 0 | 1 | 0 | 0 | 1 | 0 | 1 | 0 | 1 |   |
| #29             | 0              | 0 | 0 | 0 | 1 | 0 | 0 | 0 | 0       | 0 | 0 | 1 | 0 | 0 | 0 | 0 | 0        | 0 | 1 | 0 | 1 | 0 | 1 | 0 | 0       | 0 | 0 | 0 | 0 | 1 | 0 | 0 | 0 | 0 | 0 | 0 | 0 | 0 | 0 |   |
| #30             | 0              | 0 | 0 | 0 | 0 | 0 | 1 | 0 | 0       | 0 | 0 | 0 | 0 | 0 | 1 | 0 | 0        | 0 | 0 | 0 | 0 | 0 | 1 | 0 | 0       | 0 | 0 | 0 | 0 | 0 | 0 | 0 | 0 | 0 | 0 | 0 | 0 | 0 | 0 |   |
| #31             | 0              | 1 | 0 | 1 | 0 | 1 | 0 | 0 | 0       | 0 | 1 | 0 | 1 | 0 | 1 | 0 | 0        | 0 | 1 | 0 | 1 | 0 | 1 | 0 | 0       | 0 | 0 | 1 | 0 | 1 | 0 | 1 | 0 | 0 | 0 | 0 | 0 | 0 | 0 |   |
| #32             | 1              | 0 | 1 | 1 | 0 | 0 | 0 | 0 | 0       | 1 | 0 | 1 | 1 | 0 | 0 | 0 | 0        | 1 | 0 | 1 | 1 | 0 | 0 | 0 | 0       | 0 | 1 | 0 | 1 | 1 | 0 | 0 | 0 | 0 | 0 | 0 | 0 | 0 | 0 |   |
| #33             | 0              | 0 | 0 | 0 | 0 | 0 | 1 | 0 | 0       | 0 | 0 | 0 | 0 | 0 | 1 | 0 | 0        | 0 | 0 | 0 | 0 | 0 | 0 | 1 | 0       | 0 | 0 | 0 | 0 | 0 | 0 | 0 | 0 | 0 | 0 | 0 | 0 | 0 | 0 | 0 |
| #34             | 0              | 0 | 0 | 0 | 0 | 0 | 0 | 0 | 0       | 0 | 0 | 0 | 0 | 0 | 0 | 0 | 0        | 0 | 0 | 0 | 0 | 0 | 0 | 0 | 0       | 0 | 0 | 0 | 0 | 0 | 0 | 0 | 0 | 0 | 0 | 0 | 0 | 0 | 0 | 0 |
| #35             | 0              | 0 | 0 | 0 | 0 | 1 | 0 | 1 | 0       | 0 | 0 | 0 | 1 | 0 | 0 | 0 | 1        | 0 | 0 | 0 | 0 | 1 | 0 | 0 | 0       | 1 | 0 | 0 | 0 | 0 | 1 | 0 | 0 | 0 | 0 | 0 | 0 | 0 | 0 | 1 |
| #36             | 0              | 1 | 0 | 1 | 0 | 0 | 0 | 1 | 0       | 1 | 0 | 1 | 0 | 0 | 0 | 1 | 0        | 1 | 0 | 0 | 0 | 0 | 1 | 0 | 1       | 0 | 0 | 0 | 0 | 1 | 0 | 1 | 0 | 0 | 0 | 0 | 0 | 0 | 0 | 1 |
| #37             | 0              | 0 | 0 | 0 | 0 | 0 | 0 | 0 | 0       | 0 | 0 | 0 | 0 | 0 | 0 | 0 | 0        | 0 | 0 | 0 | 0 | 0 | 0 | 0 | 0       | 0 | 0 | 0 | 0 | 0 | 0 | 0 | 0 | 0 | 0 | 0 | 0 | 0 | 0 | 0 |
| #38             | 1              | 0 | 0 | 0 | 0 | 1 | 0 | 0 | 1       | 0 | 0 | 0 | 0 | 1 | 0 | 0 | 1        | 0 | 0 | 0 | 0 | 1 | 0 | 0 | 0       | 0 | 1 | 0 | 0 | 0 | 0 | 0 | 0 | 0 | 0 | 0 | 0 | 0 | 0 |   |

bizhub C25

ADJUSTMENT / SETTING

| Soft Switch No. | Marketing area |   |   |   |   |   |   |   |         |   |   |   |   |   |   |   |          |   |   |   |   |   |   |   |         |   |   |   |   |   |   |   |   |   |   |
|-----------------|----------------|---|---|---|---|---|---|---|---------|---|---|---|---|---|---|---|----------|---|---|---|---|---|---|---|---------|---|---|---|---|---|---|---|---|---|---|
|                 | Italy          |   |   |   |   |   |   |   | Korea   |   |   |   |   |   |   |   | Malaysia |   |   |   |   |   |   |   | Mexico  |   |   |   |   |   |   |   |   |   |   |
|                 | Bit No.        |   |   |   |   |   |   |   | Bit No. |   |   |   |   |   |   |   | Bit No.  |   |   |   |   |   |   |   | Bit No. |   |   |   |   |   |   |   |   |   |   |
|                 | 1              | 2 | 3 | 4 | 5 | 6 | 7 | 8 | 1       | 2 | 3 | 4 | 5 | 6 | 7 | 8 | 1        | 2 | 3 | 4 | 5 | 6 | 7 | 8 | 1       | 2 | 3 | 4 | 5 | 6 | 7 | 8 |   |   |   |
| #39             | 1              | 0 | 0 | 0 | 0 | 0 | 0 | 0 | 1       | 0 | 0 | 0 | 0 | 0 | 0 | 0 | 0        | 1 | 0 | 0 | 0 | 0 | 0 | 0 | 0       | 0 | 1 | 0 | 0 | 0 | 0 | 0 | 0 | 0 |   |
| #40             | 0              | 0 | 0 | 0 | 0 | 0 | 0 | 0 | 0       | 0 | 0 | 0 | 0 | 0 | 0 | 0 | 0        | 0 | 0 | 0 | 0 | 0 | 0 | 0 | 0       | 0 | 0 | 0 | 0 | 0 | 0 | 0 | 0 | 0 |   |
| #41             | 0              | 0 | 0 | 0 | 0 | 0 | 0 | 0 | 0       | 0 | 0 | 0 | 0 | 0 | 0 | 0 | 0        | 0 | 0 | 0 | 0 | 0 | 0 | 0 | 0       | 0 | 0 | 0 | 0 | 0 | 0 | 0 | 0 | 0 |   |
| #42             | 0              | 0 | 0 | 0 | 0 | 0 | 0 | 0 | 0       | 0 | 0 | 0 | 0 | 0 | 0 | 0 | 0        | 0 | 0 | 0 | 0 | 0 | 0 | 0 | 0       | 0 | 0 | 0 | 0 | 0 | 0 | 0 | 0 | 0 |   |
| #43             | 0              | 0 | 0 | 0 | 0 | 0 | 0 | 0 | 0       | 0 | 0 | 0 | 0 | 0 | 0 | 0 | 0        | 0 | 0 | 0 | 0 | 0 | 0 | 0 | 0       | 0 | 0 | 0 | 0 | 0 | 0 | 0 | 0 | 0 |   |
| #44             | 0              | 0 | 0 | 0 | 0 | 0 | 0 | 0 | 0       | 0 | 0 | 0 | 0 | 0 | 0 | 0 | 0        | 0 | 0 | 0 | 0 | 0 | 0 | 0 | 0       | 0 | 0 | 0 | 0 | 0 | 0 | 0 | 0 | 0 |   |
| #45             | 0              | 0 | 0 | 0 | 0 | 0 | 0 | 0 | 0       | 0 | 0 | 0 | 0 | 0 | 0 | 0 | 0        | 0 | 0 | 0 | 0 | 0 | 0 | 0 | 0       | 0 | 0 | 0 | 0 | 0 | 0 | 0 | 0 | 0 |   |
| #46             | 0              | 1 | 0 | 1 | 0 | 0 | 0 | 0 | 0       | 1 | 0 | 1 | 0 | 0 | 0 | 0 | 0        | 0 | 1 | 0 | 1 | 0 | 0 | 0 | 0       | 0 | 0 | 1 | 0 | 1 | 0 | 0 | 0 | 0 |   |
| #47             | 0              | 0 | 0 | 0 | 0 | 0 | 0 | 0 | 0       | 0 | 0 | 0 | 0 | 0 | 0 | 0 | 0        | 0 | 0 | 0 | 0 | 0 | 0 | 0 | 0       | 0 | 0 | 0 | 0 | 0 | 0 | 0 | 0 | 0 |   |
| #48             | 0              | 0 | 0 | 1 | 0 | 1 | 0 | 1 | 0       | 0 | 0 | 1 | 0 | 1 | 0 | 1 | 0        | 0 | 0 | 1 | 0 | 1 | 0 | 1 | 0       | 0 | 0 | 0 | 0 | 1 | 0 | 1 | 0 | 1 |   |
| #49             | 1              | 0 | 0 | 0 | 0 | 0 | 0 | 0 | 0       | 1 | 0 | 0 | 0 | 0 | 0 | 0 | 0        | 0 | 1 | 0 | 0 | 0 | 0 | 0 | 0       | 0 | 1 | 0 | 0 | 0 | 0 | 0 | 0 | 0 |   |
| #50             | 1              | 0 | 0 | 1 | 0 | 0 | 0 | 0 | 0       | 1 | 0 | 0 | 1 | 0 | 0 | 0 | 0        | 0 | 1 | 0 | 0 | 1 | 0 | 0 | 0       | 0 | 1 | 0 | 0 | 1 | 0 | 0 | 0 | 0 |   |
| #51             | 0              | 0 | 0 | 0 | 0 | 0 | 0 | 0 | 0       | 0 | 0 | 0 | 0 | 0 | 0 | 0 | 0        | 0 | 0 | 0 | 0 | 0 | 0 | 0 | 0       | 0 | 0 | 0 | 0 | 0 | 0 | 0 | 0 | 0 |   |
| #52             | 0              | 0 | 0 | 0 | 0 | 0 | 0 | 0 | 0       | 0 | 0 | 0 | 0 | 0 | 0 | 0 | 0        | 0 | 0 | 0 | 0 | 0 | 0 | 0 | 0       | 0 | 0 | 0 | 0 | 0 | 0 | 0 | 0 | 0 |   |
| #53             | 0              | 0 | 0 | 0 | 0 | 0 | 0 | 0 | 0       | 0 | 0 | 0 | 0 | 0 | 0 | 0 | 0        | 0 | 0 | 0 | 0 | 0 | 0 | 0 | 0       | 0 | 0 | 0 | 0 | 0 | 0 | 0 | 0 | 0 |   |
| #54             | 0              | 0 | 0 | 1 | 0 | 1 | 0 | 1 | 0       | 0 | 0 | 1 | 0 | 1 | 0 | 1 | 0        | 0 | 0 | 0 | 1 | 0 | 1 | 0 | 0       | 0 | 0 | 0 | 0 | 1 | 0 | 1 | 0 | 1 |   |
| #55             | 0              | 0 | 0 | 0 | 0 | 0 | 1 | 0 | 0       | 1 | 0 | 0 | 0 | 0 | 0 | 0 | 0        | 0 | 1 | 0 | 0 | 0 | 0 | 0 | 0       | 0 | 1 | 0 | 0 | 0 | 0 | 1 | 0 | 0 |   |
| #56             | 1              | 0 | 0 | 1 | 0 | 0 | 0 | 0 | 0       | 1 | 0 | 0 | 1 | 0 | 0 | 0 | 0        | 0 | 1 | 0 | 0 | 1 | 0 | 0 | 0       | 0 | 1 | 0 | 0 | 1 | 0 | 0 | 0 | 0 |   |
| #57             | 0              | 0 | 0 | 0 | 0 | 0 | 0 | 0 | 0       | 0 | 0 | 0 | 0 | 0 | 0 | 0 | 0        | 0 | 0 | 0 | 0 | 0 | 0 | 0 | 0       | 0 | 0 | 0 | 0 | 0 | 0 | 0 | 0 | 0 |   |
| #58             | 0              | 0 | 0 | 0 | 0 | 0 | 0 | 0 | 0       | 0 | 0 | 0 | 0 | 0 | 0 | 0 | 0        | 0 | 0 | 0 | 0 | 0 | 0 | 0 | 0       | 0 | 0 | 0 | 0 | 0 | 0 | 0 | 0 | 0 |   |
| #59             | 0              | 1 | 0 | 0 | 0 | 0 | 0 | 0 | 0       | 0 | 1 | 0 | 0 | 1 | 0 | 0 | 0        | 0 | 0 | 0 | 0 | 1 | 0 | 0 | 0       | 0 | 0 | 0 | 1 | 1 | 0 | 1 | 0 | 0 |   |
| #60             | 0              | 0 | 0 | 0 | 0 | 0 | 0 | 0 | 0       | 0 | 0 | 0 | 0 | 0 | 0 | 0 | 0        | 0 | 0 | 0 | 0 | 0 | 0 | 0 | 0       | 0 | 0 | 0 | 0 | 0 | 0 | 0 | 0 | 0 |   |
| #61             | 1              | 1 | 1 | 1 | 0 | 0 | 0 | 0 | 0       | 1 | 1 | 1 | 1 | 0 | 0 | 0 | 0        | 0 | 1 | 1 | 1 | 1 | 0 | 0 | 0       | 0 | 0 | 1 | 1 | 1 | 1 | 0 | 0 | 0 | 0 |
| #62             | 0              | 0 | 0 | 0 | 0 | 0 | 0 | 0 | 0       | 0 | 0 | 0 | 0 | 0 | 0 | 0 | 0        | 0 | 0 | 0 | 0 | 0 | 0 | 0 | 0       | 0 | 0 | 0 | 0 | 0 | 0 | 0 | 0 | 0 |   |
| #63             | 0              | 0 | 0 | 0 | 0 | 0 | 0 | 1 | 0       | 0 | 0 | 0 | 0 | 0 | 0 | 1 | 0        | 0 | 0 | 0 | 0 | 0 | 0 | 0 | 1       | 0 | 0 | 0 | 0 | 0 | 0 | 0 | 1 | 0 | 0 |
| #64             | 0              | 0 | 0 | 0 | 0 | 0 | 0 | 0 | 0       | 0 | 0 | 0 | 0 | 0 | 0 | 0 | 0        | 0 | 0 | 0 | 0 | 0 | 0 | 0 | 0       | 0 | 0 | 0 | 0 | 0 | 0 | 0 | 0 | 0 |   |

**G. Market area 7**

| Soft Switch No. | Marketing area |   |   |   |   |   |   |   |             |   |   |   |   |   |   |   |         |   |   |   |   |   |   |   |             |   |   |   |   |   |   |   |   |   |
|-----------------|----------------|---|---|---|---|---|---|---|-------------|---|---|---|---|---|---|---|---------|---|---|---|---|---|---|---|-------------|---|---|---|---|---|---|---|---|---|
|                 | Netherlands    |   |   |   |   |   |   |   | New Zealand |   |   |   |   |   |   |   | Norway  |   |   |   |   |   |   |   | Philippines |   |   |   |   |   |   |   |   |   |
|                 | Bit No.        |   |   |   |   |   |   |   | Bit No.     |   |   |   |   |   |   |   | Bit No. |   |   |   |   |   |   |   | Bit No.     |   |   |   |   |   |   |   |   |   |
|                 | 1              | 2 | 3 | 4 | 5 | 6 | 7 | 8 | 1           | 2 | 3 | 4 | 5 | 6 | 7 | 8 | 1       | 2 | 3 | 4 | 5 | 6 | 7 | 8 | 1           | 2 | 3 | 4 | 5 | 6 | 7 | 8 |   |   |
| #01             | 1              | 0 | 0 | 0 | 0 | 0 | 0 | 1 | 0           | 0 | 0 | 0 | 0 | 0 | 0 | 1 | 0       | 0 | 0 | 0 | 0 | 0 | 0 | 0 | 1           | 0 | 0 | 0 | 0 | 0 | 0 | 0 |   |   |
| #02             | 0              | 0 | 0 | 0 | 0 | 1 | 0 | 0 | 0           | 0 | 0 | 1 | 0 | 0 | 0 | 0 | 0       | 0 | 0 | 1 | 0 | 0 | 0 | 0 | 0           | 0 | 0 | 0 | 1 | 0 | 0 | 0 |   |   |
| #03             | 0              | 1 | 1 | 0 | 0 | 0 | 1 | 1 | 0           | 1 | 1 | 0 | 0 | 0 | 1 | 1 | 0       | 1 | 1 | 0 | 0 | 0 | 1 | 1 | 0           | 1 | 1 | 0 | 0 | 0 | 0 | 1 |   |   |
| #04             | 1              | 0 | 1 | 1 | 0 | 0 | 0 | 0 | 0           | 0 | 1 | 1 | 0 | 0 | 0 | 0 | 1       | 0 | 1 | 1 | 0 | 0 | 0 | 0 | 0           | 0 | 1 | 1 | 0 | 0 | 0 | 0 |   |   |
| #05             | 1              | 0 | 0 | 0 | 0 | 0 | 1 | 1 | 0           | 1 | 0 | 0 | 0 | 1 | 1 | 1 | 0       | 0 | 0 | 0 | 1 | 1 | 1 | 0 | 0           | 0 | 0 | 0 | 0 | 0 | 0 | 0 |   |   |
| #06             | 0              | 0 | 0 | 0 | 0 | 0 | 0 | 0 | 0           | 0 | 0 | 0 | 0 | 0 | 0 | 0 | 0       | 0 | 0 | 0 | 0 | 0 | 0 | 0 | 0           | 0 | 0 | 0 | 0 | 0 | 0 | 0 |   |   |
| #07             | 1              | 1 | 1 | 0 | 0 | 0 | 0 | 1 | 1           | 1 | 0 | 0 | 0 | 0 | 0 | 1 | 1       | 1 | 0 | 0 | 0 | 0 | 0 | 1 | 1           | 1 | 1 | 0 | 0 | 0 | 0 | 0 |   |   |
| #08             | 0              | 0 | 0 | 0 | 0 | 1 | 1 | 0 | 0           | 0 | 0 | 1 | 1 | 0 | 0 | 0 | 0       | 0 | 0 | 1 | 1 | 0 | 0 | 0 | 0           | 0 | 0 | 1 | 1 | 0 | 0 | 0 |   |   |
| #09             | 0              | 0 | 0 | 0 | 1 | 0 | 0 | 0 | 0           | 0 | 0 | 1 | 0 | 0 | 0 | 0 | 0       | 0 | 0 | 1 | 0 | 0 | 0 | 0 | 0           | 0 | 0 | 0 | 0 | 0 | 0 | 0 |   |   |
| #10             | 1              | 1 | 1 | 0 | 1 | 1 | 1 | 1 | 1           | 1 | 0 | 0 | 1 | 1 | 1 | 1 | 1       | 1 | 1 | 1 | 1 | 1 | 1 | 1 | 1           | 1 | 0 | 0 | 0 | 0 | 1 | 0 | 1 |   |
| #11             | 1              | 0 | 0 | 0 | 0 | 0 | 0 | 0 | 0           | 0 | 0 | 1 | 0 | 0 | 0 | 0 | 0       | 0 | 0 | 0 | 0 | 0 | 0 | 0 | 0           | 0 | 0 | 0 | 0 | 0 | 0 | 0 |   |   |
| #12             | 0              | 0 | 1 | 0 | 0 | 0 | 0 | 1 | 0           | 0 | 0 | 1 | 0 | 0 | 0 | 1 | 0       | 0 | 1 | 0 | 0 | 0 | 0 | 0 | 1           | 0 | 0 | 0 | 0 | 0 | 0 | 1 |   |   |
| #13             | 0              | 0 | 0 | 0 | 1 | 0 | 0 | 0 | 0           | 0 | 0 | 1 | 0 | 0 | 0 | 0 | 0       | 0 | 1 | 0 | 0 | 0 | 0 | 0 | 0           | 0 | 0 | 0 | 1 | 0 | 0 | 0 |   |   |
| #14             | 0              | 1 | 0 | 1 | 0 | 0 | 0 | 0 | 0           | 1 | 0 | 1 | 0 | 0 | 0 | 0 | 0       | 0 | 1 | 0 | 0 | 0 | 0 | 0 | 0           | 0 | 1 | 0 | 0 | 1 | 0 | 0 |   |   |
| #15             | 0              | 0 | 0 | 0 | 0 | 0 | 0 | 1 | 0           | 0 | 0 | 0 | 0 | 0 | 0 | 1 | 0       | 0 | 0 | 0 | 0 | 0 | 0 | 1 | 0           | 0 | 0 | 0 | 0 | 0 | 0 | 0 |   |   |
| #16             | 1              | 1 | 0 | 0 | 0 | 0 | 0 | 0 | 1           | 1 | 0 | 0 | 0 | 0 | 0 | 0 | 1       | 1 | 0 | 0 | 0 | 0 | 0 | 0 | 0           | 1 | 1 | 0 | 0 | 0 | 0 | 0 |   |   |
| #17             | 0              | 0 | 0 | 0 | 0 | 0 | 0 | 0 | 0           | 0 | 0 | 0 | 0 | 0 | 0 | 0 | 0       | 0 | 0 | 0 | 0 | 0 | 0 | 0 | 0           | 0 | 0 | 0 | 0 | 0 | 0 | 0 |   |   |
| #18             | 0              | 1 | 0 | 0 | 0 | 0 | 0 | 0 | 0           | 1 | 0 | 0 | 0 | 0 | 0 | 0 | 0       | 1 | 0 | 0 | 0 | 0 | 0 | 0 | 0           | 0 | 1 | 0 | 0 | 0 | 0 | 0 |   |   |
| #19             | 1              | 1 | 0 | 1 | 1 | 1 | 1 | 0 | 0           | 0 | 1 | 1 | 1 | 1 | 0 | 1 | 1       | 0 | 1 | 1 | 1 | 1 | 0 | 0 | 0           | 0 | 1 | 1 | 1 | 1 | 0 | 0 |   |   |
| #20             | 0              | 0 | 0 | 0 | 0 | 0 | 1 | 1 | 0           | 0 | 0 | 0 | 1 | 1 | 0 | 0 | 0       | 0 | 0 | 1 | 1 | 0 | 0 | 0 | 0           | 0 | 0 | 0 | 0 | 1 | 1 | 0 |   |   |
| #21             | 0              | 0 | 0 | 0 | 0 | 0 | 1 | 1 | 0           | 0 | 0 | 0 | 0 | 1 | 1 | 0 | 0       | 0 | 0 | 0 | 1 | 1 | 0 | 0 | 0           | 0 | 0 | 0 | 0 | 1 | 1 | 0 |   |   |
| #22             | 1              | 1 | 1 | 0 | 0 | 0 | 0 | 0 | 1           | 1 | 1 | 0 | 0 | 0 | 0 | 0 | 1       | 1 | 1 | 0 | 0 | 0 | 0 | 0 | 0           | 1 | 1 | 1 | 0 | 0 | 0 | 0 |   |   |
| #23             | 0              | 1 | 1 | 0 | 0 | 0 | 0 | 0 | 0           | 0 | 1 | 0 | 0 | 0 | 0 | 0 | 0       | 1 | 0 | 0 | 0 | 0 | 0 | 0 | 0           | 0 | 0 | 1 | 0 | 0 | 0 | 0 |   |   |
| #24             | 0              | 1 | 0 | 0 | 0 | 0 | 0 | 0 | 0           | 1 | 0 | 0 | 0 | 0 | 0 | 0 | 0       | 0 | 0 | 0 | 0 | 0 | 0 | 0 | 0           | 0 | 1 | 0 | 0 | 0 | 0 | 0 |   |   |
| #25             | 0              | 1 | 0 | 0 | 0 | 0 | 0 | 0 | 0           | 1 | 0 | 0 | 1 | 1 | 0 | 0 | 0       | 0 | 0 | 0 | 0 | 0 | 0 | 0 | 0           | 0 | 0 | 1 | 0 | 0 | 0 | 0 |   |   |
| #26             | 0              | 0 | 0 | 0 | 0 | 0 | 0 | 0 | 0           | 0 | 0 | 0 | 0 | 0 | 0 | 0 | 0       | 0 | 0 | 0 | 0 | 0 | 0 | 0 | 0           | 0 | 0 | 0 | 0 | 0 | 0 | 0 |   |   |
| #27             | 0              | 0 | 0 | 0 | 0 | 0 | 0 | 0 | 0           | 0 | 0 | 0 | 0 | 0 | 0 | 0 | 0       | 0 | 0 | 0 | 0 | 0 | 0 | 0 | 0           | 0 | 0 | 0 | 0 | 0 | 0 | 0 |   |   |
| #28             | 1              | 1 | 1 | 0 | 1 | 0 | 1 | 0 | 1           | 1 | 1 | 0 | 0 | 1 | 0 | 1 | 1       | 1 | 0 | 1 | 0 | 1 | 0 | 1 | 0           | 1 | 1 | 1 | 0 | 0 | 1 | 0 | 1 |   |
| #29             | 0              | 0 | 0 | 0 | 1 | 0 | 0 | 0 | 0           | 0 | 1 | 0 | 0 | 0 | 0 | 0 | 0       | 0 | 1 | 0 | 0 | 0 | 0 | 0 | 0           | 0 | 0 | 1 | 0 | 0 | 0 | 0 |   |   |
| #30             | 0              | 0 | 0 | 0 | 0 | 0 | 1 | 0 | 0           | 0 | 0 | 0 | 0 | 0 | 1 | 0 | 0       | 0 | 0 | 0 | 0 | 0 | 1 | 0 | 0           | 0 | 0 | 0 | 0 | 0 | 0 | 1 | 0 |   |
| #31             | 0              | 1 | 0 | 1 | 0 | 1 | 0 | 0 | 0           | 0 | 1 | 0 | 0 | 0 | 0 | 0 | 0       | 1 | 0 | 1 | 0 | 1 | 0 | 0 | 0           | 0 | 0 | 1 | 0 | 1 | 0 | 1 | 0 |   |
| #32             | 1              | 0 | 1 | 1 | 0 | 0 | 0 | 0 | 0           | 1 | 0 | 1 | 1 | 0 | 0 | 0 | 0       | 1 | 0 | 1 | 1 | 0 | 0 | 0 | 0           | 0 | 1 | 0 | 1 | 1 | 0 | 0 | 0 |   |
| #33             | 0              | 0 | 0 | 0 | 0 | 0 | 1 | 0 | 0           | 0 | 0 | 0 | 0 | 0 | 1 | 0 | 0       | 0 | 0 | 0 | 0 | 0 | 0 | 1 | 0           | 0 | 0 | 0 | 0 | 0 | 0 | 0 | 0 |   |
| #34             | 0              | 0 | 0 | 0 | 0 | 0 | 0 | 0 | 0           | 0 | 0 | 0 | 0 | 0 | 0 | 0 | 0       | 0 | 0 | 0 | 0 | 0 | 0 | 0 | 0           | 0 | 0 | 0 | 0 | 0 | 0 | 0 | 0 |   |
| #35             | 0              | 0 | 0 | 0 | 0 | 1 | 0 | 1 | 0           | 0 | 0 | 0 | 0 | 1 | 0 | 1 | 0       | 0 | 0 | 0 | 1 | 0 | 1 | 0 | 0           | 0 | 0 | 0 | 1 | 0 | 0 | 0 | 1 |   |
| #36             | 0              | 1 | 0 | 1 | 0 | 0 | 0 | 1 | 0           | 1 | 0 | 1 | 0 | 0 | 0 | 1 | 0       | 1 | 0 | 0 | 0 | 0 | 1 | 0 | 1           | 0 | 0 | 0 | 0 | 1 | 0 | 0 | 0 | 1 |
| #37             | 0              | 0 | 0 | 0 | 0 | 0 | 0 | 0 | 0           | 0 | 0 | 0 | 0 | 0 | 0 | 0 | 0       | 0 | 0 | 0 | 0 | 0 | 0 | 0 | 0           | 0 | 0 | 0 | 0 | 0 | 0 | 0 | 0 | 0 |
| #38             | 1              | 0 | 0 | 0 | 0 | 1 | 0 | 0 | 1           | 0 | 0 | 0 | 0 | 1 | 0 | 0 | 0       | 0 | 1 | 0 | 0 | 0 | 0 | 1 | 0           | 0 | 0 | 0 | 1 | 0 | 0 | 0 | 0 | 0 |

bizhub C25

ADJUSTMENT / SETTING

| Soft Switch No. | Marketing area |   |   |   |   |   |   |   |             |   |   |   |   |   |   |   |         |   |   |   |   |   |   |   |             |   |   |   |   |   |   |   |
|-----------------|----------------|---|---|---|---|---|---|---|-------------|---|---|---|---|---|---|---|---------|---|---|---|---|---|---|---|-------------|---|---|---|---|---|---|---|
|                 | Netherlands    |   |   |   |   |   |   |   | New Zealand |   |   |   |   |   |   |   | Norway  |   |   |   |   |   |   |   | Philippines |   |   |   |   |   |   |   |
|                 | Bit No.        |   |   |   |   |   |   |   | Bit No.     |   |   |   |   |   |   |   | Bit No. |   |   |   |   |   |   |   | Bit No.     |   |   |   |   |   |   |   |
|                 | 1              | 2 | 3 | 4 | 5 | 6 | 7 | 8 | 1           | 2 | 3 | 4 | 5 | 6 | 7 | 8 | 1       | 2 | 3 | 4 | 5 | 6 | 7 | 8 | 1           | 2 | 3 | 4 | 5 | 6 | 7 | 8 |
| #39             | 1              | 0 | 0 | 0 | 0 | 0 | 0 | 1 | 0           | 0 | 0 | 0 | 0 | 0 | 0 | 1 | 0       | 0 | 0 | 0 | 0 | 0 | 0 | 1 | 0           | 0 | 0 | 0 | 0 | 0 | 0 |   |
| #40             | 0              | 0 | 0 | 0 | 0 | 0 | 0 | 0 | 0           | 0 | 0 | 0 | 0 | 0 | 0 | 0 | 0       | 0 | 0 | 0 | 0 | 0 | 0 | 0 | 0           | 0 | 0 | 0 | 0 | 0 | 0 |   |
| #41             | 0              | 0 | 0 | 0 | 0 | 0 | 0 | 0 | 0           | 0 | 0 | 0 | 0 | 0 | 0 | 0 | 0       | 0 | 0 | 0 | 0 | 0 | 0 | 0 | 0           | 0 | 0 | 0 | 0 | 0 | 0 |   |
| #42             | 0              | 0 | 0 | 0 | 0 | 0 | 0 | 0 | 0           | 0 | 0 | 0 | 0 | 0 | 0 | 0 | 0       | 0 | 0 | 0 | 0 | 0 | 0 | 0 | 0           | 0 | 0 | 0 | 0 | 0 | 0 |   |
| #43             | 0              | 0 | 0 | 0 | 0 | 0 | 0 | 0 | 0           | 0 | 0 | 0 | 0 | 0 | 0 | 0 | 0       | 0 | 0 | 0 | 0 | 0 | 0 | 0 | 0           | 0 | 0 | 0 | 0 | 0 | 0 |   |
| #44             | 0              | 0 | 0 | 0 | 0 | 0 | 0 | 0 | 0           | 0 | 0 | 0 | 0 | 0 | 0 | 0 | 0       | 0 | 0 | 0 | 0 | 0 | 0 | 0 | 0           | 0 | 0 | 0 | 0 | 0 | 0 |   |
| #45             | 0              | 0 | 0 | 0 | 0 | 0 | 0 | 0 | 0           | 0 | 0 | 0 | 0 | 0 | 0 | 0 | 0       | 0 | 0 | 0 | 0 | 0 | 0 | 0 | 0           | 0 | 0 | 0 | 0 | 0 | 0 |   |
| #46             | 0              | 1 | 0 | 1 | 0 | 0 | 0 | 0 | 1           | 0 | 1 | 0 | 0 | 0 | 0 | 0 | 1       | 0 | 1 | 0 | 0 | 0 | 0 | 0 | 1           | 0 | 1 | 0 | 0 | 0 | 0 |   |
| #47             | 0              | 0 | 0 | 0 | 0 | 0 | 0 | 0 | 0           | 0 | 0 | 0 | 0 | 0 | 0 | 0 | 0       | 0 | 0 | 0 | 0 | 0 | 0 | 0 | 0           | 0 | 0 | 0 | 0 | 0 | 0 |   |
| #48             | 0              | 0 | 0 | 1 | 0 | 1 | 0 | 1 | 0           | 0 | 1 | 0 | 1 | 0 | 1 | 0 | 0       | 0 | 1 | 0 | 1 | 0 | 1 | 0 | 0           | 0 | 1 | 0 | 1 | 0 | 1 |   |
| #49             | 1              | 0 | 0 | 0 | 0 | 0 | 0 | 0 | 0           | 1 | 1 | 0 | 0 | 0 | 0 | 0 | 1       | 0 | 0 | 0 | 0 | 0 | 0 | 1 | 0           | 0 | 0 | 0 | 0 | 0 | 0 |   |
| #50             | 1              | 0 | 0 | 1 | 0 | 0 | 0 | 0 | 0           | 0 | 1 | 0 | 1 | 0 | 0 | 0 | 1       | 0 | 0 | 1 | 0 | 0 | 0 | 1 | 0           | 0 | 1 | 0 | 0 | 0 | 0 |   |
| #51             | 0              | 0 | 0 | 0 | 0 | 0 | 0 | 0 | 0           | 0 | 0 | 0 | 0 | 0 | 0 | 0 | 0       | 0 | 0 | 0 | 0 | 0 | 0 | 0 | 0           | 0 | 0 | 0 | 0 | 0 | 0 |   |
| #52             | 0              | 0 | 0 | 0 | 0 | 0 | 0 | 0 | 0           | 0 | 0 | 0 | 0 | 0 | 0 | 0 | 0       | 0 | 0 | 0 | 0 | 0 | 0 | 0 | 0           | 0 | 0 | 0 | 0 | 0 | 0 |   |
| #53             | 0              | 0 | 0 | 0 | 0 | 0 | 0 | 0 | 0           | 0 | 0 | 0 | 0 | 0 | 0 | 0 | 0       | 0 | 0 | 0 | 0 | 0 | 0 | 0 | 0           | 0 | 0 | 0 | 0 | 0 | 0 |   |
| #54             | 0              | 0 | 0 | 1 | 0 | 1 | 0 | 1 | 0           | 0 | 1 | 0 | 1 | 0 | 1 | 0 | 0       | 0 | 1 | 0 | 1 | 0 | 1 | 0 | 0           | 0 | 1 | 0 | 1 | 0 | 1 |   |
| #55             | 0              | 0 | 0 | 0 | 0 | 0 | 1 | 0 | 1           | 0 | 0 | 0 | 0 | 0 | 1 | 0 | 0       | 0 | 0 | 0 | 0 | 1 | 0 | 1 | 0           | 0 | 0 | 0 | 1 | 1 | 0 |   |
| #56             | 1              | 0 | 0 | 1 | 0 | 0 | 0 | 0 | 0           | 1 | 0 | 0 | 1 | 0 | 0 | 0 | 1       | 0 | 0 | 1 | 0 | 0 | 0 | 0 | 1           | 0 | 0 | 1 | 0 | 0 | 0 |   |
| #57             | 0              | 0 | 0 | 0 | 0 | 0 | 0 | 0 | 0           | 0 | 0 | 0 | 0 | 0 | 0 | 0 | 0       | 0 | 0 | 0 | 0 | 0 | 0 | 0 | 0           | 0 | 0 | 0 | 0 | 0 | 0 |   |
| #58             | 0              | 0 | 0 | 0 | 0 | 0 | 0 | 0 | 0           | 0 | 0 | 0 | 0 | 0 | 0 | 0 | 0       | 0 | 0 | 0 | 0 | 0 | 0 | 0 | 0           | 0 | 0 | 0 | 0 | 0 | 0 |   |
| #59             | 0              | 1 | 0 | 0 | 0 | 0 | 0 | 0 | 0           | 0 | 0 | 1 | 1 | 0 | 0 | 0 | 0       | 1 | 0 | 0 | 0 | 0 | 0 | 0 | 0           | 0 | 0 | 1 | 0 | 0 | 0 |   |
| #60             | 0              | 0 | 0 | 0 | 0 | 0 | 0 | 0 | 0           | 0 | 0 | 0 | 0 | 0 | 0 | 0 | 0       | 0 | 0 | 0 | 0 | 0 | 0 | 0 | 0           | 0 | 0 | 0 | 0 | 0 | 0 |   |
| #61             | 1              | 1 | 1 | 1 | 0 | 0 | 0 | 0 | 1           | 0 | 0 | 1 | 0 | 0 | 0 | 0 | 1       | 1 | 1 | 1 | 0 | 0 | 0 | 0 | 1           | 1 | 1 | 1 | 0 | 0 | 0 | 0 |
| #62             | 0              | 0 | 0 | 0 | 0 | 0 | 0 | 0 | 0           | 0 | 0 | 0 | 0 | 0 | 0 | 0 | 0       | 0 | 0 | 0 | 0 | 0 | 0 | 0 | 0           | 0 | 0 | 0 | 0 | 0 | 0 |   |
| #63             | 0              | 0 | 0 | 0 | 0 | 0 | 0 | 1 | 0           | 0 | 0 | 0 | 0 | 0 | 0 | 1 | 0       | 0 | 0 | 0 | 0 | 0 | 0 | 1 | 0           | 0 | 0 | 0 | 0 | 0 | 1 |   |
| #64             | 0              | 0 | 0 | 0 | 0 | 0 | 0 | 0 | 0           | 0 | 0 | 0 | 0 | 0 | 0 | 0 | 0       | 0 | 0 | 0 | 0 | 0 | 0 | 0 | 0           | 0 | 0 | 0 | 0 | 0 | 0 |   |

**H. Market area 8**

| Soft Switch No. | Marketing area |   |   |   |   |   |   |   |          |   |   |   |   |   |   |   |         |   |   |   |   |   |   |   |              |   |   |   |   |   |   |   |   |   |   |   |   |   |   |   |
|-----------------|----------------|---|---|---|---|---|---|---|----------|---|---|---|---|---|---|---|---------|---|---|---|---|---|---|---|--------------|---|---|---|---|---|---|---|---|---|---|---|---|---|---|---|
|                 | Poland         |   |   |   |   |   |   |   | Portugal |   |   |   |   |   |   |   | Russia  |   |   |   |   |   |   |   | Saudi Arabia |   |   |   |   |   |   |   |   |   |   |   |   |   |   |   |
|                 | Bit No.        |   |   |   |   |   |   |   | Bit No.  |   |   |   |   |   |   |   | Bit No. |   |   |   |   |   |   |   | Bit No.      |   |   |   |   |   |   |   |   |   |   |   |   |   |   |   |
|                 | 1              | 2 | 3 | 4 | 5 | 6 | 7 | 8 | 1        | 2 | 3 | 4 | 5 | 6 | 7 | 8 | 1       | 2 | 3 | 4 | 5 | 6 | 7 | 8 | 1            | 2 | 3 | 4 | 5 | 6 | 7 | 8 |   |   |   |   |   |   |   |   |
| #01             | 1              | 0 | 0 | 0 | 0 | 0 | 0 | 1 | 0        | 0 | 0 | 0 | 0 | 0 | 0 | 1 | 0       | 0 | 0 | 0 | 0 | 0 | 0 | 0 | 1            | 0 | 0 | 0 | 0 | 0 | 0 | 0 |   |   |   |   |   |   |   |   |
| #02             | 0              | 0 | 0 | 0 | 0 | 1 | 0 | 0 | 0        | 0 | 0 | 0 | 1 | 0 | 0 | 0 | 0       | 0 | 0 | 0 | 1 | 0 | 0 | 0 | 0            | 0 | 0 | 0 | 0 | 1 | 0 | 0 |   |   |   |   |   |   |   |   |
| #03             | 0              | 1 | 1 | 0 | 0 | 0 | 1 | 1 | 0        | 1 | 1 | 0 | 0 | 0 | 1 | 1 | 0       | 1 | 1 | 0 | 0 | 0 | 0 | 1 | 0            | 1 | 1 | 0 | 0 | 0 | 1 | 1 |   |   |   |   |   |   |   |   |
| #04             | 1              | 0 | 1 | 1 | 0 | 0 | 0 | 0 | 1        | 0 | 1 | 1 | 0 | 0 | 0 | 0 | 1       | 0 | 1 | 1 | 0 | 0 | 0 | 0 | 1            | 0 | 1 | 1 | 0 | 0 | 0 | 0 |   |   |   |   |   |   |   |   |
| #05             | 1              | 0 | 0 | 0 | 0 | 0 | 1 | 1 | 1        | 0 | 0 | 0 | 0 | 0 | 1 | 1 | 1       | 0 | 0 | 0 | 0 | 0 | 0 | 0 | 1            | 1 | 0 | 0 | 0 | 0 | 1 | 1 |   |   |   |   |   |   |   |   |
| #06             | 0              | 0 | 0 | 0 | 0 | 0 | 0 | 0 | 0        | 0 | 0 | 0 | 0 | 0 | 0 | 0 | 0       | 0 | 0 | 0 | 0 | 0 | 0 | 0 | 0            | 0 | 0 | 0 | 0 | 0 | 0 | 0 |   |   |   |   |   |   |   |   |
| #07             | 1              | 1 | 1 | 0 | 0 | 0 | 0 | 1 | 1        | 1 | 1 | 0 | 0 | 0 | 0 | 1 | 1       | 1 | 1 | 0 | 0 | 0 | 0 | 0 | 1            | 1 | 1 | 0 | 0 | 0 | 0 | 1 |   |   |   |   |   |   |   |   |
| #08             | 0              | 0 | 0 | 0 | 1 | 1 | 1 | 0 | 0        | 0 | 0 | 0 | 1 | 1 | 0 | 0 | 0       | 0 | 0 | 1 | 1 | 0 | 0 | 0 | 0            | 0 | 0 | 0 | 1 | 1 | 0 | 0 |   |   |   |   |   |   |   |   |
| #09             | 0              | 0 | 0 | 0 | 1 | 0 | 0 | 0 | 0        | 0 | 0 | 1 | 0 | 0 | 0 | 0 | 0       | 0 | 0 | 0 | 0 | 0 | 0 | 0 | 0            | 0 | 0 | 1 | 0 | 0 | 0 | 0 |   |   |   |   |   |   |   |   |
| #10             | 1              | 1 | 1 | 0 | 1 | 1 | 1 | 1 | 1        | 1 | 0 | 1 | 0 | 1 | 1 | 1 | 1       | 1 | 1 | 0 | 0 | 0 | 1 | 1 | 0            | 1 | 1 | 1 | 1 | 1 | 1 | 1 |   |   |   |   |   |   |   |   |
| #11             | 1              | 0 | 0 | 0 | 0 | 0 | 0 | 0 | 1        | 0 | 0 | 0 | 0 | 0 | 0 | 0 | 0       | 0 | 0 | 0 | 0 | 0 | 0 | 0 | 0            | 0 | 0 | 0 | 0 | 0 | 0 | 0 |   |   |   |   |   |   |   |   |
| #12             | 0              | 0 | 1 | 0 | 0 | 0 | 0 | 1 | 0        | 0 | 1 | 0 | 0 | 0 | 0 | 0 | 1       | 0 | 0 | 0 | 0 | 0 | 0 | 1 | 0            | 0 | 1 | 0 | 0 | 0 | 0 | 1 |   |   |   |   |   |   |   |   |
| #13             | 0              | 0 | 0 | 0 | 1 | 0 | 0 | 0 | 0        | 0 | 0 | 1 | 0 | 0 | 0 | 0 | 0       | 0 | 0 | 1 | 0 | 0 | 0 | 0 | 0            | 0 | 0 | 1 | 0 | 0 | 0 | 0 |   |   |   |   |   |   |   |   |
| #14             | 0              | 1 | 0 | 1 | 0 | 0 | 0 | 0 | 0        | 1 | 0 | 1 | 0 | 0 | 0 | 0 | 0       | 0 | 1 | 0 | 0 | 0 | 0 | 0 | 0            | 0 | 0 | 1 | 0 | 0 | 0 | 0 |   |   |   |   |   |   |   |   |
| #15             | 0              | 0 | 0 | 0 | 0 | 0 | 0 | 1 | 0        | 0 | 0 | 0 | 0 | 0 | 0 | 1 | 0       | 0 | 0 | 0 | 0 | 0 | 0 | 0 | 0            | 0 | 0 | 0 | 0 | 0 | 0 | 1 |   |   |   |   |   |   |   |   |
| #16             | 1              | 1 | 0 | 0 | 0 | 0 | 0 | 0 | 1        | 1 | 0 | 0 | 0 | 0 | 0 | 0 | 1       | 1 | 0 | 0 | 0 | 0 | 0 | 0 | 0            | 0 | 1 | 1 | 0 | 0 | 0 | 0 |   |   |   |   |   |   |   |   |
| #17             | 0              | 0 | 0 | 0 | 0 | 0 | 0 | 0 | 0        | 0 | 0 | 0 | 0 | 0 | 0 | 0 | 0       | 0 | 0 | 0 | 0 | 0 | 0 | 0 | 0            | 0 | 0 | 0 | 0 | 0 | 0 | 0 |   |   |   |   |   |   |   |   |
| #18             | 0              | 1 | 0 | 0 | 0 | 0 | 0 | 0 | 0        | 1 | 0 | 0 | 0 | 0 | 0 | 0 | 0       | 1 | 0 | 0 | 0 | 0 | 0 | 0 | 0            | 0 | 0 | 1 | 0 | 0 | 0 | 0 |   |   |   |   |   |   |   |   |
| #19             | 1              | 1 | 0 | 1 | 1 | 1 | 1 | 0 | 1        | 1 | 0 | 1 | 1 | 1 | 1 | 0 | 1       | 1 | 1 | 1 | 1 | 1 | 0 | 1 | 1            | 0 | 1 | 1 | 1 | 1 | 1 | 0 |   |   |   |   |   |   |   |   |
| #20             | 0              | 0 | 0 | 0 | 0 | 0 | 1 | 1 | 0        | 0 | 0 | 0 | 0 | 0 | 1 | 1 | 0       | 0 | 0 | 0 | 1 | 1 | 0 | 0 | 0            | 0 | 0 | 0 | 0 | 0 | 1 | 1 |   |   |   |   |   |   |   |   |
| #21             | 0              | 0 | 0 | 0 | 0 | 0 | 1 | 1 | 0        | 0 | 0 | 0 | 0 | 0 | 1 | 1 | 0       | 0 | 0 | 0 | 0 | 0 | 1 | 0 | 0            | 0 | 0 | 0 | 0 | 0 | 1 | 1 |   |   |   |   |   |   |   |   |
| #22             | 1              | 1 | 1 | 0 | 0 | 0 | 0 | 0 | 1        | 1 | 1 | 0 | 0 | 0 | 0 | 0 | 1       | 1 | 1 | 0 | 0 | 0 | 0 | 0 | 1            | 1 | 1 | 0 | 0 | 0 | 0 | 0 |   |   |   |   |   |   |   |   |
| #23             | 0              | 1 | 1 | 0 | 0 | 0 | 0 | 0 | 0        | 1 | 1 | 0 | 0 | 0 | 0 | 0 | 0       | 1 | 0 | 1 | 0 | 0 | 0 | 0 | 0            | 0 | 0 | 1 | 1 | 0 | 0 | 0 | 0 |   |   |   |   |   |   |   |
| #24             | 0              | 1 | 0 | 0 | 0 | 0 | 0 | 0 | 0        | 0 | 1 | 0 | 0 | 0 | 0 | 0 | 0       | 0 | 1 | 0 | 0 | 0 | 0 | 0 | 0            | 0 | 0 | 1 | 0 | 0 | 0 | 0 | 0 |   |   |   |   |   |   |   |
| #25             | 0              | 1 | 0 | 0 | 0 | 0 | 0 | 0 | 0        | 0 | 1 | 0 | 0 | 0 | 0 | 0 | 0       | 0 | 1 | 0 | 0 | 0 | 0 | 0 | 0            | 0 | 0 | 1 | 0 | 0 | 0 | 0 | 0 |   |   |   |   |   |   |   |
| #26             | 0              | 0 | 0 | 0 | 0 | 0 | 0 | 0 | 0        | 0 | 0 | 0 | 0 | 0 | 0 | 0 | 0       | 0 | 0 | 0 | 0 | 0 | 0 | 0 | 0            | 0 | 0 | 0 | 0 | 0 | 0 | 0 | 0 |   |   |   |   |   |   |   |
| #27             | 0              | 0 | 0 | 0 | 0 | 0 | 0 | 0 | 0        | 0 | 0 | 0 | 0 | 0 | 0 | 0 | 0       | 0 | 0 | 0 | 0 | 0 | 0 | 0 | 0            | 0 | 0 | 0 | 0 | 0 | 0 | 0 | 0 |   |   |   |   |   |   |   |
| #28             | 1              | 1 | 1 | 0 | 1 | 0 | 1 | 0 | 1        | 1 | 1 | 0 | 1 | 0 | 1 | 0 | 1       | 1 | 1 | 0 | 0 | 1 | 0 | 1 | 1            | 1 | 0 | 1 | 0 | 1 | 0 | 1 | 0 |   |   |   |   |   |   |   |
| #29             | 0              | 0 | 0 | 0 | 1 | 0 | 0 | 0 | 0        | 0 | 0 | 0 | 1 | 0 | 0 | 0 | 0       | 0 | 0 | 1 | 0 | 0 | 0 | 0 | 0            | 0 | 0 | 0 | 0 | 1 | 0 | 0 | 0 | 0 |   |   |   |   |   |   |
| #30             | 0              | 0 | 0 | 0 | 0 | 0 | 1 | 0 | 0        | 0 | 0 | 0 | 0 | 0 | 1 | 0 | 0       | 0 | 0 | 0 | 0 | 0 | 1 | 0 | 0            | 0 | 0 | 0 | 0 | 0 | 0 | 0 | 0 | 0 |   |   |   |   |   |   |
| #31             | 0              | 1 | 0 | 1 | 0 | 1 | 0 | 0 | 0        | 0 | 1 | 0 | 1 | 0 | 1 | 0 | 0       | 0 | 1 | 0 | 1 | 0 | 1 | 0 | 0            | 0 | 0 | 1 | 0 | 1 | 0 | 1 | 0 | 0 | 0 |   |   |   |   |   |
| #32             | 1              | 0 | 1 | 1 | 0 | 0 | 0 | 0 | 0        | 1 | 0 | 1 | 1 | 0 | 0 | 0 | 0       | 1 | 0 | 1 | 1 | 0 | 0 | 0 | 0            | 0 | 1 | 0 | 1 | 1 | 0 | 0 | 0 | 0 | 0 |   |   |   |   |   |
| #33             | 0              | 0 | 0 | 0 | 0 | 0 | 1 | 0 | 0        | 0 | 0 | 0 | 0 | 0 | 1 | 0 | 0       | 0 | 0 | 0 | 0 | 0 | 1 | 0 | 0            | 0 | 0 | 0 | 0 | 0 | 0 | 0 | 0 | 0 | 0 | 0 |   |   |   |   |
| #34             | 0              | 0 | 0 | 0 | 0 | 0 | 0 | 0 | 0        | 0 | 0 | 0 | 0 | 0 | 0 | 0 | 0       | 0 | 0 | 0 | 0 | 0 | 0 | 0 | 0            | 0 | 0 | 0 | 0 | 0 | 0 | 0 | 0 | 0 | 0 | 0 | 0 |   |   |   |
| #35             | 0              | 0 | 0 | 0 | 0 | 1 | 0 | 1 | 0        | 0 | 0 | 0 | 0 | 1 | 0 | 0 | 1       | 0 | 0 | 0 | 0 | 1 | 0 | 0 | 0            | 1 | 0 | 0 | 0 | 0 | 0 | 1 | 0 | 0 | 0 | 0 | 0 | 0 |   |   |
| #36             | 0              | 1 | 0 | 1 | 0 | 0 | 0 | 1 | 0        | 1 | 0 | 1 | 0 | 0 | 0 | 1 | 0       | 1 | 0 | 0 | 0 | 0 | 1 | 0 | 1            | 0 | 0 | 0 | 0 | 0 | 0 | 0 | 0 | 0 | 0 | 0 | 0 | 0 | 0 |   |
| #37             | 0              | 0 | 0 | 0 | 0 | 0 | 0 | 0 | 0        | 0 | 0 | 0 | 0 | 0 | 0 | 0 | 0       | 0 | 0 | 0 | 0 | 0 | 0 | 0 | 0            | 0 | 0 | 0 | 0 | 0 | 0 | 0 | 0 | 0 | 0 | 0 | 0 | 0 | 0 |   |
| #38             | 1              | 0 | 0 | 0 | 0 | 1 | 0 | 0 | 1        | 0 | 0 | 0 | 0 | 1 | 0 | 0 | 1       | 0 | 0 | 0 | 0 | 1 | 0 | 0 | 0            | 0 | 1 | 0 | 0 | 0 | 0 | 1 | 0 | 0 | 0 | 0 | 0 | 0 | 0 | 0 |

bizhub C25

ADJUSTMENT / SETTING

| Soft Switch No. | Marketing area |   |   |   |   |   |   |   |          |   |   |   |   |   |   |   |         |   |   |   |   |   |   |   |              |   |   |   |   |   |   |   |   |
|-----------------|----------------|---|---|---|---|---|---|---|----------|---|---|---|---|---|---|---|---------|---|---|---|---|---|---|---|--------------|---|---|---|---|---|---|---|---|
|                 | Poland         |   |   |   |   |   |   |   | Portugal |   |   |   |   |   |   |   | Russia  |   |   |   |   |   |   |   | Saudi Arabia |   |   |   |   |   |   |   |   |
|                 | Bit No.        |   |   |   |   |   |   |   | Bit No.  |   |   |   |   |   |   |   | Bit No. |   |   |   |   |   |   |   | Bit No.      |   |   |   |   |   |   |   |   |
|                 | 1              | 2 | 3 | 4 | 5 | 6 | 7 | 8 | 1        | 2 | 3 | 4 | 5 | 6 | 7 | 8 | 1       | 2 | 3 | 4 | 5 | 6 | 7 | 8 | 1            | 2 | 3 | 4 | 5 | 6 | 7 | 8 |   |
| #39             | 1              | 0 | 0 | 0 | 0 | 0 | 0 | 0 | 1        | 0 | 0 | 0 | 0 | 0 | 0 | 0 | 1       | 0 | 0 | 0 | 0 | 0 | 0 | 0 | 0            | 1 | 0 | 0 | 0 | 0 | 0 | 0 | 0 |
| #40             | 0              | 0 | 0 | 0 | 0 | 0 | 0 | 0 | 0        | 0 | 0 | 0 | 0 | 0 | 0 | 0 | 0       | 0 | 0 | 0 | 0 | 0 | 0 | 0 | 0            | 0 | 0 | 0 | 0 | 0 | 0 | 0 | 0 |
| #41             | 0              | 0 | 0 | 0 | 0 | 0 | 0 | 0 | 0        | 0 | 0 | 0 | 0 | 0 | 0 | 0 | 0       | 0 | 0 | 0 | 0 | 0 | 0 | 0 | 0            | 0 | 0 | 0 | 0 | 0 | 0 | 0 | 0 |
| #42             | 0              | 0 | 0 | 0 | 0 | 0 | 0 | 0 | 0        | 0 | 0 | 0 | 0 | 0 | 0 | 0 | 0       | 0 | 0 | 0 | 0 | 0 | 0 | 0 | 0            | 0 | 0 | 0 | 0 | 0 | 0 | 0 | 0 |
| #43             | 0              | 0 | 0 | 0 | 0 | 0 | 0 | 0 | 0        | 0 | 0 | 0 | 0 | 0 | 0 | 0 | 0       | 0 | 0 | 0 | 0 | 0 | 0 | 0 | 0            | 0 | 0 | 0 | 0 | 0 | 0 | 0 | 0 |
| #44             | 0              | 0 | 0 | 0 | 0 | 0 | 0 | 0 | 0        | 0 | 0 | 0 | 0 | 0 | 0 | 0 | 0       | 0 | 0 | 0 | 0 | 0 | 0 | 0 | 0            | 0 | 0 | 0 | 0 | 0 | 0 | 0 | 0 |
| #45             | 0              | 0 | 0 | 0 | 0 | 0 | 0 | 0 | 0        | 0 | 0 | 0 | 0 | 0 | 0 | 0 | 0       | 0 | 0 | 0 | 0 | 0 | 0 | 0 | 0            | 0 | 0 | 0 | 0 | 0 | 0 | 0 | 0 |
| #46             | 0              | 1 | 0 | 1 | 0 | 0 | 0 | 0 | 0        | 1 | 0 | 1 | 0 | 0 | 0 | 0 | 0       | 1 | 0 | 1 | 0 | 0 | 0 | 0 | 0            | 0 | 1 | 0 | 1 | 0 | 0 | 0 | 0 |
| #47             | 0              | 0 | 0 | 0 | 0 | 0 | 0 | 0 | 0        | 0 | 0 | 0 | 0 | 0 | 0 | 0 | 0       | 0 | 0 | 0 | 0 | 0 | 0 | 0 | 0            | 0 | 0 | 0 | 0 | 0 | 0 | 0 | 0 |
| #48             | 0              | 0 | 0 | 1 | 0 | 1 | 0 | 1 | 0        | 0 | 0 | 1 | 0 | 1 | 0 | 1 | 0       | 0 | 0 | 1 | 0 | 1 | 0 | 1 | 0            | 0 | 0 | 0 | 1 | 0 | 1 | 0 | 1 |
| #49             | 1              | 0 | 0 | 0 | 0 | 0 | 0 | 0 | 0        | 1 | 0 | 0 | 0 | 0 | 0 | 0 | 0       | 1 | 0 | 0 | 0 | 0 | 0 | 0 | 0            | 1 | 0 | 0 | 0 | 0 | 0 | 0 |   |
| #50             | 1              | 0 | 0 | 1 | 0 | 0 | 0 | 0 | 0        | 1 | 0 | 0 | 1 | 0 | 0 | 0 | 0       | 1 | 0 | 0 | 1 | 0 | 0 | 0 | 0            | 1 | 0 | 0 | 1 | 0 | 0 | 0 |   |
| #51             | 0              | 0 | 0 | 0 | 0 | 0 | 0 | 0 | 0        | 0 | 0 | 0 | 0 | 0 | 0 | 0 | 0       | 0 | 0 | 0 | 0 | 0 | 0 | 0 | 0            | 0 | 0 | 0 | 0 | 0 | 0 | 0 |   |
| #52             | 0              | 0 | 0 | 0 | 0 | 0 | 0 | 0 | 0        | 0 | 0 | 0 | 0 | 0 | 0 | 0 | 0       | 0 | 0 | 0 | 0 | 0 | 0 | 0 | 0            | 0 | 0 | 0 | 0 | 0 | 0 | 0 | 0 |
| #53             | 0              | 0 | 0 | 0 | 0 | 0 | 0 | 0 | 0        | 0 | 0 | 0 | 0 | 0 | 0 | 0 | 0       | 0 | 0 | 0 | 0 | 0 | 0 | 0 | 0            | 0 | 0 | 0 | 0 | 0 | 0 | 0 | 0 |
| #54             | 0              | 0 | 0 | 1 | 0 | 1 | 0 | 1 | 0        | 0 | 0 | 1 | 0 | 1 | 0 | 1 | 0       | 0 | 0 | 1 | 0 | 1 | 0 | 1 | 0            | 0 | 0 | 0 | 1 | 0 | 1 | 0 | 1 |
| #55             | 0              | 0 | 0 | 0 | 0 | 1 | 0 | 0 | 0        | 0 | 0 | 0 | 0 | 0 | 1 | 0 | 0       | 0 | 0 | 0 | 0 | 0 | 0 | 0 | 0            | 0 | 0 | 0 | 0 | 1 | 0 | 0 |   |
| #56             | 1              | 0 | 0 | 1 | 0 | 0 | 0 | 0 | 0        | 1 | 0 | 0 | 1 | 0 | 0 | 0 | 0       | 1 | 0 | 0 | 1 | 0 | 0 | 0 | 0            | 1 | 0 | 0 | 1 | 0 | 0 | 0 |   |
| #57             | 0              | 0 | 0 | 0 | 0 | 0 | 0 | 0 | 0        | 0 | 0 | 0 | 0 | 0 | 0 | 0 | 0       | 0 | 0 | 0 | 0 | 0 | 0 | 0 | 0            | 0 | 0 | 0 | 0 | 0 | 0 | 0 |   |
| #58             | 0              | 0 | 0 | 0 | 0 | 0 | 0 | 0 | 0        | 0 | 0 | 0 | 0 | 0 | 0 | 0 | 0       | 0 | 0 | 0 | 0 | 0 | 0 | 0 | 0            | 0 | 0 | 0 | 0 | 0 | 0 | 0 | 0 |
| #59             | 0              | 1 | 0 | 0 | 0 | 0 | 0 | 0 | 0        | 0 | 0 | 0 | 0 | 0 | 0 | 0 | 0       | 1 | 1 | 0 | 0 | 0 | 0 | 0 | 0            | 0 | 1 | 0 | 0 | 0 | 0 | 0 | 0 |
| #60             | 0              | 0 | 0 | 0 | 0 | 0 | 0 | 0 | 0        | 0 | 0 | 0 | 0 | 0 | 0 | 0 | 0       | 0 | 0 | 0 | 0 | 0 | 0 | 0 | 0            | 0 | 0 | 0 | 0 | 0 | 0 | 0 | 0 |
| #61             | 1              | 1 | 1 | 1 | 0 | 0 | 0 | 0 | 0        | 1 | 1 | 1 | 1 | 0 | 0 | 0 | 0       | 1 | 1 | 1 | 1 | 0 | 0 | 0 | 0            | 1 | 1 | 1 | 1 | 0 | 0 | 0 | 0 |
| #62             | 0              | 0 | 0 | 0 | 0 | 0 | 0 | 0 | 0        | 0 | 0 | 0 | 0 | 0 | 0 | 0 | 0       | 0 | 0 | 0 | 0 | 0 | 0 | 0 | 0            | 0 | 0 | 0 | 0 | 0 | 0 | 0 | 0 |
| #63             | 0              | 0 | 0 | 0 | 0 | 0 | 0 | 0 | 1        | 0 | 0 | 0 | 0 | 0 | 0 | 0 | 1       | 0 | 0 | 0 | 0 | 0 | 0 | 0 | 1            | 0 | 0 | 0 | 0 | 0 | 0 | 1 |   |
| #64             | 0              | 0 | 0 | 0 | 0 | 0 | 0 | 0 | 0        | 0 | 0 | 0 | 0 | 0 | 0 | 0 | 0       | 0 | 0 | 0 | 0 | 0 | 0 | 0 | 0            | 0 | 0 | 0 | 0 | 0 | 0 | 0 | 0 |

**I. Market area 9**

| Soft Switch No. | Marketing area |   |   |   |   |   |   |   |          |   |   |   |   |   |   |   |              |   |   |   |   |   |   |   |         |   |   |   |   |   |   |   |
|-----------------|----------------|---|---|---|---|---|---|---|----------|---|---|---|---|---|---|---|--------------|---|---|---|---|---|---|---|---------|---|---|---|---|---|---|---|
|                 | Singapore      |   |   |   |   |   |   |   | Slovakia |   |   |   |   |   |   |   | South Africa |   |   |   |   |   |   |   | Spain   |   |   |   |   |   |   |   |
|                 | Bit No.        |   |   |   |   |   |   |   | Bit No.  |   |   |   |   |   |   |   | Bit No.      |   |   |   |   |   |   |   | Bit No. |   |   |   |   |   |   |   |
|                 | 1              | 2 | 3 | 4 | 5 | 6 | 7 | 8 | 1        | 2 | 3 | 4 | 5 | 6 | 7 | 8 | 1            | 2 | 3 | 4 | 5 | 6 | 7 | 8 | 1       | 2 | 3 | 4 | 5 | 6 | 7 | 8 |
| #01             | 1              | 0 | 0 | 0 | 0 | 0 | 0 | 1 | 0        | 0 | 0 | 0 | 0 | 0 | 0 | 1 | 0            | 0 | 0 | 0 | 0 | 0 | 0 | 0 | 1       | 0 | 0 | 0 | 0 | 0 | 0 | 0 |
| #02             | 0              | 0 | 0 | 0 | 0 | 1 | 0 | 0 | 0        | 0 | 0 | 0 | 1 | 0 | 0 | 0 | 0            | 0 | 0 | 0 | 1 | 0 | 0 | 0 | 0       | 0 | 0 | 0 | 0 | 1 | 0 | 0 |
| #03             | 0              | 1 | 1 | 0 | 0 | 0 | 0 | 1 | 0        | 1 | 1 | 0 | 0 | 0 | 0 | 1 | 1            | 0 | 1 | 0 | 0 | 0 | 0 | 1 | 0       | 1 | 1 | 0 | 0 | 0 | 1 | 1 |
| #04             | 0              | 0 | 1 | 1 | 0 | 0 | 0 | 0 | 1        | 0 | 1 | 1 | 0 | 0 | 0 | 0 | 0            | 0 | 1 | 0 | 0 | 0 | 0 | 0 | 1       | 0 | 1 | 1 | 0 | 0 | 0 | 0 |
| #05             | 1              | 1 | 0 | 0 | 0 | 0 | 0 | 0 | 1        | 0 | 0 | 0 | 0 | 0 | 1 | 1 | 0            | 1 | 0 | 0 | 0 | 0 | 0 | 0 | 0       | 1 | 0 | 0 | 0 | 0 | 1 | 1 |
| #06             | 0              | 0 | 0 | 0 | 0 | 0 | 0 | 0 | 0        | 0 | 0 | 0 | 0 | 0 | 0 | 0 | 0            | 0 | 0 | 0 | 0 | 0 | 0 | 0 | 0       | 0 | 0 | 0 | 0 | 0 | 0 | 0 |
| #07             | 1              | 1 | 1 | 0 | 0 | 0 | 0 | 0 | 1        | 1 | 1 | 0 | 0 | 0 | 0 | 0 | 1            | 1 | 1 | 0 | 0 | 0 | 0 | 0 | 0       | 1 | 1 | 1 | 0 | 0 | 0 | 0 |
| #08             | 0              | 0 | 0 | 0 | 0 | 1 | 1 | 0 | 0        | 0 | 0 | 0 | 0 | 1 | 1 | 0 | 0            | 0 | 0 | 0 | 1 | 1 | 0 | 0 | 0       | 0 | 0 | 0 | 1 | 1 | 0 | 0 |
| #09             | 0              | 0 | 0 | 0 | 0 | 0 | 0 | 0 | 0        | 0 | 0 | 0 | 1 | 0 | 0 | 0 | 0            | 0 | 0 | 0 | 0 | 0 | 0 | 0 | 0       | 0 | 0 | 1 | 0 | 0 | 0 | 0 |
| #10             | 1              | 0 | 0 | 0 | 0 | 1 | 0 | 1 | 1        | 1 | 0 | 1 | 1 | 1 | 1 | 1 | 1            | 0 | 0 | 0 | 1 | 1 | 0 | 1 | 1       | 1 | 1 | 1 | 1 | 1 | 1 | 1 |
| #11             | 0              | 0 | 0 | 0 | 0 | 0 | 0 | 0 | 0        | 0 | 0 | 0 | 0 | 0 | 0 | 0 | 0            | 0 | 0 | 0 | 0 | 0 | 0 | 0 | 0       | 0 | 0 | 0 | 0 | 0 | 0 | 0 |
| #12             | 0              | 0 | 0 | 0 | 0 | 0 | 0 | 1 | 0        | 0 | 1 | 0 | 0 | 0 | 0 | 1 | 0            | 0 | 0 | 0 | 0 | 0 | 0 | 1 | 0       | 0 | 1 | 0 | 0 | 0 | 0 | 0 |
| #13             | 0              | 0 | 0 | 0 | 1 | 0 | 0 | 0 | 0        | 0 | 0 | 0 | 1 | 0 | 0 | 0 | 0            | 0 | 0 | 0 | 1 | 0 | 0 | 0 | 0       | 0 | 0 | 0 | 1 | 0 | 0 | 0 |
| #14             | 0              | 1 | 0 | 0 | 1 | 0 | 0 | 0 | 0        | 0 | 1 | 0 | 1 | 0 | 0 | 0 | 0            | 0 | 1 | 0 | 0 | 0 | 0 | 0 | 0       | 0 | 0 | 1 | 0 | 0 | 0 | 0 |
| #15             | 0              | 0 | 0 | 0 | 0 | 0 | 0 | 0 | 0        | 0 | 0 | 0 | 0 | 0 | 0 | 1 | 0            | 0 | 0 | 0 | 0 | 0 | 0 | 0 | 1       | 0 | 0 | 0 | 0 | 0 | 0 | 0 |
| #16             | 1              | 1 | 0 | 0 | 0 | 0 | 0 | 0 | 0        | 1 | 1 | 0 | 0 | 0 | 0 | 0 | 0            | 1 | 1 | 0 | 0 | 0 | 0 | 0 | 0       | 0 | 1 | 1 | 0 | 0 | 0 | 0 |
| #17             | 0              | 0 | 0 | 0 | 0 | 0 | 0 | 0 | 0        | 0 | 0 | 0 | 0 | 0 | 0 | 0 | 0            | 0 | 0 | 0 | 0 | 0 | 0 | 0 | 0       | 0 | 0 | 0 | 0 | 0 | 0 | 0 |
| #18             | 0              | 1 | 0 | 0 | 0 | 0 | 0 | 0 | 0        | 0 | 1 | 0 | 0 | 0 | 0 | 0 | 0            | 0 | 0 | 0 | 0 | 0 | 0 | 0 | 0       | 0 | 0 | 1 | 0 | 0 | 0 | 0 |
| #19             | 1              | 1 | 0 | 1 | 1 | 1 | 1 | 0 | 1        | 1 | 0 | 1 | 1 | 1 | 1 | 0 | 0            | 1 | 1 | 0 | 1 | 1 | 1 | 0 | 1       | 1 | 0 | 1 | 1 | 1 | 1 | 0 |
| #20             | 0              | 0 | 0 | 0 | 0 | 1 | 1 | 0 | 0        | 0 | 0 | 0 | 0 | 0 | 1 | 1 | 0            | 0 | 0 | 0 | 0 | 1 | 1 | 0 | 0       | 0 | 0 | 0 | 0 | 1 | 1 | 0 |
| #21             | 0              | 0 | 0 | 0 | 0 | 0 | 1 | 1 | 0        | 0 | 0 | 0 | 0 | 0 | 1 | 1 | 0            | 0 | 0 | 0 | 0 | 0 | 1 | 0 | 0       | 0 | 0 | 0 | 0 | 0 | 1 | 1 |
| #22             | 1              | 1 | 1 | 0 | 0 | 0 | 0 | 0 | 1        | 1 | 1 | 0 | 0 | 0 | 0 | 0 | 0            | 1 | 1 | 1 | 0 | 0 | 0 | 0 | 0       | 0 | 1 | 1 | 1 | 0 | 0 | 0 |
| #23             | 1              | 1 | 1 | 0 | 0 | 0 | 0 | 0 | 0        | 1 | 1 | 0 | 0 | 0 | 0 | 0 | 0            | 0 | 1 | 0 | 0 | 0 | 0 | 0 | 0       | 0 | 0 | 1 | 1 | 0 | 0 | 0 |
| #24             | 0              | 1 | 0 | 0 | 0 | 0 | 0 | 0 | 0        | 0 | 1 | 0 | 0 | 0 | 0 | 0 | 0            | 0 | 0 | 0 | 0 | 0 | 0 | 0 | 0       | 0 | 0 | 1 | 0 | 0 | 0 | 0 |
| #25             | 0              | 1 | 0 | 0 | 0 | 0 | 0 | 0 | 0        | 0 | 0 | 0 | 0 | 0 | 0 | 0 | 0            | 0 | 0 | 0 | 0 | 0 | 0 | 0 | 0       | 0 | 0 | 1 | 0 | 0 | 0 | 0 |
| #26             | 0              | 0 | 0 | 0 | 0 | 0 | 0 | 0 | 0        | 0 | 0 | 0 | 0 | 0 | 0 | 0 | 0            | 0 | 0 | 0 | 0 | 0 | 0 | 0 | 0       | 0 | 0 | 0 | 0 | 0 | 0 | 0 |
| #27             | 0              | 0 | 0 | 0 | 0 | 0 | 0 | 0 | 0        | 0 | 0 | 0 | 0 | 0 | 0 | 0 | 0            | 0 | 0 | 0 | 0 | 0 | 0 | 0 | 0       | 0 | 0 | 0 | 0 | 0 | 0 | 0 |
| #28             | 1              | 1 | 1 | 0 | 0 | 1 | 0 | 1 | 1        | 1 | 0 | 1 | 0 | 1 | 0 | 1 | 0            | 1 | 1 | 1 | 0 | 0 | 1 | 0 | 1       | 1 | 1 | 0 | 1 | 0 | 1 | 0 |
| #29             | 0              | 0 | 1 | 0 | 1 | 0 | 0 | 0 | 0        | 0 | 0 | 0 | 1 | 0 | 0 | 0 | 0            | 0 | 0 | 0 | 1 | 0 | 0 | 0 | 0       | 0 | 0 | 0 | 0 | 1 | 0 | 0 |
| #30             | 0              | 0 | 0 | 0 | 0 | 0 | 1 | 0 | 0        | 0 | 0 | 0 | 0 | 0 | 1 | 0 | 0            | 0 | 0 | 0 | 0 | 0 | 1 | 1 | 0       | 0 | 0 | 0 | 0 | 0 | 1 | 0 |
| #31             | 0              | 1 | 0 | 1 | 0 | 1 | 0 | 0 | 0        | 0 | 1 | 0 | 1 | 0 | 1 | 0 | 0            | 0 | 0 | 0 | 0 | 0 | 0 | 0 | 0       | 0 | 0 | 1 | 0 | 1 | 0 | 0 |
| #32             | 1              | 0 | 1 | 1 | 0 | 0 | 0 | 0 | 0        | 1 | 0 | 1 | 1 | 0 | 0 | 0 | 0            | 0 | 0 | 0 | 0 | 0 | 0 | 0 | 0       | 0 | 1 | 0 | 1 | 0 | 0 | 0 |
| #33             | 0              | 0 | 0 | 0 | 0 | 0 | 1 | 0 | 0        | 0 | 0 | 0 | 0 | 0 | 1 | 0 | 0            | 0 | 0 | 0 | 0 | 0 | 0 | 0 | 0       | 0 | 0 | 0 | 0 | 0 | 0 | 0 |
| #34             | 0              | 0 | 0 | 0 | 0 | 0 | 0 | 0 | 0        | 0 | 0 | 0 | 0 | 0 | 0 | 0 | 0            | 0 | 0 | 0 | 0 | 0 | 0 | 0 | 0       | 0 | 0 | 0 | 0 | 0 | 0 | 0 |
| #35             | 0              | 0 | 0 | 0 | 1 | 0 | 0 | 0 | 0        | 0 | 0 | 0 | 0 | 1 | 0 | 1 | 0            | 0 | 0 | 0 | 0 | 0 | 0 | 0 | 0       | 0 | 0 | 0 | 0 | 1 | 0 | 1 |
| #36             | 0              | 1 | 0 | 1 | 0 | 0 | 0 | 0 | 0        | 0 | 1 | 0 | 1 | 0 | 0 | 0 | 0            | 0 | 0 | 0 | 0 | 0 | 0 | 0 | 0       | 0 | 0 | 0 | 0 | 0 | 0 | 0 |
| #37             | 0              | 0 | 0 | 0 | 0 | 0 | 0 | 0 | 0        | 0 | 0 | 0 | 0 | 0 | 0 | 0 | 0            | 0 | 0 | 0 | 0 | 0 | 0 | 0 | 0       | 0 | 0 | 0 | 0 | 0 | 0 | 0 |
| #38             | 1              | 0 | 0 | 0 | 0 | 1 | 0 | 0 | 0        | 0 | 0 | 1 | 0 | 0 | 0 | 0 | 0            | 0 | 0 | 0 | 0 | 0 | 0 | 0 | 0       | 0 | 0 | 0 | 0 | 0 | 0 | 0 |

bizhub C25

ADJUSTMENT / SETTING

| Soft Switch No. | Marketing area |   |   |   |   |   |   |   |          |   |   |   |   |   |   |   |              |   |   |   |   |   |   |   |         |   |   |   |   |   |   |   |   |   |   |
|-----------------|----------------|---|---|---|---|---|---|---|----------|---|---|---|---|---|---|---|--------------|---|---|---|---|---|---|---|---------|---|---|---|---|---|---|---|---|---|---|
|                 | Singapore      |   |   |   |   |   |   |   | Slovakia |   |   |   |   |   |   |   | South Africa |   |   |   |   |   |   |   | Spain   |   |   |   |   |   |   |   |   |   |   |
|                 | Bit No.        |   |   |   |   |   |   |   | Bit No.  |   |   |   |   |   |   |   | Bit No.      |   |   |   |   |   |   |   | Bit No. |   |   |   |   |   |   |   |   |   |   |
|                 | 1              | 2 | 3 | 4 | 5 | 6 | 7 | 8 | 1        | 2 | 3 | 4 | 5 | 6 | 7 | 8 | 1            | 2 | 3 | 4 | 5 | 6 | 7 | 8 | 1       | 2 | 3 | 4 | 5 | 6 | 7 | 8 |   |   |   |
| #39             | 1              | 0 | 0 | 0 | 0 | 0 | 0 | 0 | 1        | 0 | 0 | 0 | 0 | 0 | 0 | 0 | 0            | 1 | 0 | 0 | 0 | 0 | 0 | 0 | 0       | 0 | 0 | 1 | 0 | 0 | 0 | 0 | 0 | 0 | 0 |
| #40             | 0              | 0 | 0 | 0 | 0 | 0 | 0 | 0 | 0        | 0 | 0 | 0 | 0 | 0 | 0 | 0 | 0            | 0 | 0 | 0 | 0 | 0 | 0 | 0 | 0       | 0 | 0 | 0 | 0 | 0 | 0 | 0 | 0 | 0 | 0 |
| #41             | 0              | 0 | 0 | 0 | 0 | 0 | 0 | 0 | 0        | 0 | 0 | 0 | 0 | 0 | 0 | 0 | 0            | 0 | 0 | 0 | 0 | 0 | 0 | 0 | 0       | 0 | 0 | 0 | 0 | 0 | 0 | 0 | 0 | 0 | 0 |
| #42             | 0              | 0 | 0 | 0 | 0 | 0 | 0 | 0 | 0        | 0 | 0 | 0 | 0 | 0 | 0 | 0 | 0            | 0 | 0 | 0 | 0 | 0 | 0 | 0 | 0       | 0 | 0 | 0 | 0 | 0 | 0 | 0 | 0 | 0 | 0 |
| #43             | 0              | 0 | 0 | 0 | 0 | 0 | 0 | 0 | 0        | 0 | 0 | 0 | 0 | 0 | 0 | 0 | 0            | 0 | 0 | 0 | 0 | 0 | 0 | 0 | 0       | 0 | 0 | 0 | 0 | 0 | 0 | 0 | 0 | 0 | 0 |
| #44             | 0              | 0 | 0 | 0 | 0 | 0 | 0 | 0 | 0        | 0 | 0 | 0 | 0 | 0 | 0 | 0 | 0            | 0 | 0 | 0 | 0 | 0 | 0 | 0 | 0       | 0 | 0 | 0 | 0 | 0 | 0 | 0 | 0 | 0 | 0 |
| #45             | 0              | 0 | 0 | 0 | 0 | 0 | 0 | 0 | 0        | 0 | 0 | 0 | 0 | 0 | 0 | 0 | 0            | 0 | 0 | 0 | 0 | 0 | 0 | 0 | 0       | 0 | 0 | 0 | 0 | 0 | 0 | 0 | 0 | 0 | 0 |
| #46             | 0              | 1 | 0 | 1 | 0 | 0 | 0 | 0 | 0        | 1 | 0 | 1 | 0 | 0 | 0 | 0 | 0            | 0 | 1 | 0 | 1 | 0 | 0 | 0 | 0       | 0 | 0 | 0 | 1 | 0 | 1 | 0 | 0 | 0 | 0 |
| #47             | 0              | 0 | 0 | 0 | 0 | 0 | 0 | 0 | 0        | 0 | 0 | 0 | 0 | 0 | 0 | 0 | 0            | 0 | 0 | 0 | 0 | 0 | 0 | 0 | 0       | 0 | 0 | 0 | 0 | 0 | 0 | 0 | 0 | 0 | 0 |
| #48             | 0              | 0 | 0 | 1 | 0 | 1 | 0 | 1 | 0        | 0 | 0 | 1 | 0 | 1 | 0 | 1 | 0            | 0 | 0 | 1 | 0 | 1 | 0 | 1 | 0       | 0 | 0 | 0 | 0 | 0 | 1 | 0 | 1 | 0 | 1 |
| #49             | 1              | 0 | 0 | 0 | 0 | 0 | 0 | 0 | 0        | 1 | 0 | 0 | 0 | 0 | 0 | 0 | 0            | 0 | 1 | 0 | 0 | 0 | 0 | 0 | 0       | 0 | 0 | 1 | 0 | 0 | 0 | 0 | 0 | 0 | 0 |
| #50             | 1              | 0 | 0 | 1 | 0 | 0 | 0 | 0 | 0        | 1 | 0 | 0 | 1 | 0 | 0 | 0 | 0            | 0 | 1 | 0 | 0 | 1 | 0 | 0 | 0       | 0 | 0 | 1 | 0 | 0 | 1 | 0 | 0 | 0 | 0 |
| #51             | 0              | 0 | 0 | 0 | 0 | 0 | 0 | 0 | 0        | 0 | 0 | 0 | 0 | 0 | 0 | 0 | 0            | 0 | 0 | 0 | 0 | 0 | 0 | 0 | 0       | 0 | 0 | 0 | 0 | 0 | 0 | 0 | 0 | 0 | 0 |
| #52             | 0              | 0 | 0 | 0 | 0 | 0 | 0 | 0 | 0        | 0 | 0 | 0 | 0 | 0 | 0 | 0 | 0            | 0 | 0 | 0 | 0 | 0 | 0 | 0 | 0       | 0 | 0 | 0 | 0 | 0 | 0 | 0 | 0 | 0 | 0 |
| #53             | 0              | 0 | 0 | 0 | 0 | 0 | 0 | 0 | 0        | 0 | 0 | 0 | 0 | 0 | 0 | 0 | 0            | 0 | 0 | 0 | 0 | 0 | 0 | 0 | 0       | 0 | 0 | 0 | 0 | 0 | 0 | 0 | 0 | 0 | 0 |
| #54             | 0              | 0 | 0 | 1 | 0 | 1 | 0 | 1 | 0        | 0 | 0 | 1 | 0 | 1 | 0 | 1 | 0            | 0 | 0 | 1 | 0 | 1 | 0 | 1 | 0       | 0 | 0 | 0 | 0 | 0 | 1 | 0 | 1 | 0 | 1 |
| #55             | 1              | 0 | 0 | 0 | 0 | 0 | 0 | 0 | 0        | 0 | 0 | 0 | 0 | 1 | 0 | 0 | 0            | 0 | 1 | 1 | 0 | 0 | 0 | 0 | 0       | 0 | 0 | 0 | 0 | 0 | 0 | 0 | 0 | 0 | 0 |
| #56             | 1              | 0 | 0 | 1 | 0 | 0 | 0 | 0 | 0        | 1 | 0 | 0 | 1 | 0 | 0 | 0 | 0            | 0 | 1 | 0 | 0 | 1 | 0 | 0 | 0       | 0 | 0 | 1 | 0 | 0 | 1 | 0 | 0 | 0 | 0 |
| #57             | 0              | 0 | 0 | 0 | 0 | 0 | 0 | 0 | 0        | 0 | 0 | 0 | 0 | 0 | 0 | 0 | 0            | 0 | 0 | 0 | 0 | 0 | 0 | 0 | 0       | 0 | 0 | 0 | 0 | 0 | 0 | 0 | 0 | 0 | 0 |
| #58             | 0              | 0 | 0 | 0 | 0 | 0 | 0 | 0 | 0        | 0 | 0 | 0 | 0 | 0 | 0 | 0 | 0            | 0 | 0 | 0 | 0 | 0 | 0 | 0 | 0       | 0 | 0 | 0 | 0 | 0 | 0 | 0 | 0 | 0 | 0 |
| #59             | 0              | 0 | 0 | 0 | 1 | 0 | 0 | 0 | 0        | 0 | 1 | 0 | 0 | 0 | 0 | 0 | 0            | 0 | 0 | 1 | 0 | 0 | 0 | 0 | 0       | 0 | 0 | 0 | 1 | 0 | 0 | 0 | 0 | 0 | 0 |
| #60             | 0              | 0 | 0 | 0 | 0 | 0 | 0 | 0 | 0        | 0 | 0 | 0 | 0 | 0 | 0 | 0 | 0            | 0 | 0 | 0 | 0 | 0 | 0 | 0 | 0       | 0 | 0 | 0 | 0 | 0 | 0 | 0 | 0 | 0 | 0 |
| #61             | 1              | 1 | 1 | 1 | 0 | 0 | 0 | 0 | 0        | 1 | 1 | 1 | 1 | 0 | 0 | 0 | 0            | 0 | 1 | 1 | 1 | 1 | 0 | 0 | 0       | 0 | 0 | 1 | 1 | 1 | 1 | 0 | 0 | 0 | 0 |
| #62             | 0              | 0 | 0 | 0 | 0 | 0 | 0 | 0 | 0        | 0 | 0 | 0 | 0 | 0 | 0 | 0 | 0            | 0 | 0 | 0 | 0 | 0 | 0 | 0 | 0       | 0 | 0 | 0 | 0 | 0 | 0 | 0 | 0 | 0 | 0 |
| #63             | 0              | 0 | 0 | 0 | 0 | 0 | 0 | 0 | 0        | 0 | 0 | 0 | 0 | 0 | 0 | 0 | 0            | 0 | 0 | 0 | 0 | 0 | 0 | 0 | 0       | 0 | 0 | 0 | 0 | 0 | 0 | 0 | 0 | 0 | 0 |
| #64             | 0              | 0 | 0 | 0 | 0 | 0 | 0 | 0 | 0        | 0 | 0 | 0 | 0 | 0 | 0 | 0 | 0            | 0 | 0 | 0 | 0 | 0 | 0 | 0 | 0       | 0 | 0 | 0 | 0 | 0 | 0 | 0 | 0 | 0 | 0 |



**J. Market area 10**

| Soft Switch No. | Marketing area |   |   |   |   |   |   |   |             |   |   |   |   |   |   |   |         |   |   |   |   |   |   |   |         |   |   |   |   |   |   |   |   |   |   |   |   |   |   |   |   |
|-----------------|----------------|---|---|---|---|---|---|---|-------------|---|---|---|---|---|---|---|---------|---|---|---|---|---|---|---|---------|---|---|---|---|---|---|---|---|---|---|---|---|---|---|---|---|
|                 | Sweden         |   |   |   |   |   |   |   | Switzerland |   |   |   |   |   |   |   | Taiwan  |   |   |   |   |   |   |   | Turkey  |   |   |   |   |   |   |   |   |   |   |   |   |   |   |   |   |
|                 | Bit No.        |   |   |   |   |   |   |   | Bit No.     |   |   |   |   |   |   |   | Bit No. |   |   |   |   |   |   |   | Bit No. |   |   |   |   |   |   |   |   |   |   |   |   |   |   |   |   |
|                 | 1              | 2 | 3 | 4 | 5 | 6 | 7 | 8 | 1           | 2 | 3 | 4 | 5 | 6 | 7 | 8 | 1       | 2 | 3 | 4 | 5 | 6 | 7 | 8 | 1       | 2 | 3 | 4 | 5 | 6 | 7 | 8 |   |   |   |   |   |   |   |   |   |
| #01             | 1              | 0 | 0 | 0 | 0 | 0 | 0 | 1 | 0           | 0 | 0 | 0 | 0 | 0 | 0 | 1 | 0       | 0 | 0 | 0 | 0 | 0 | 0 | 1 | 0       | 0 | 0 | 0 | 0 | 0 | 0 | 0 | 0 | 0 | 0 |   |   |   |   |   |   |
| #02             | 0              | 0 | 0 | 0 | 0 | 1 | 0 | 0 | 0           | 0 | 0 | 1 | 0 | 0 | 0 | 0 | 0       | 0 | 0 | 1 | 0 | 0 | 0 | 0 | 0       | 0 | 0 | 0 | 1 | 0 | 0 | 0 | 0 | 0 | 0 | 0 |   |   |   |   |   |
| #03             | 0              | 1 | 1 | 0 | 0 | 0 | 1 | 1 | 0           | 1 | 1 | 0 | 0 | 0 | 1 | 1 | 0       | 1 | 1 | 0 | 0 | 0 | 0 | 1 | 0       | 1 | 1 | 0 | 0 | 0 | 1 | 1 | 0 | 0 | 0 | 1 | 1 |   |   |   |   |
| #04             | 1              | 0 | 1 | 1 | 0 | 0 | 0 | 0 | 1           | 0 | 1 | 1 | 0 | 0 | 0 | 0 | 0       | 0 | 1 | 0 | 0 | 0 | 0 | 0 | 0       | 1 | 0 | 1 | 1 | 0 | 0 | 0 | 0 | 0 | 0 | 0 | 0 |   |   |   |   |
| #05             | 1              | 0 | 0 | 0 | 0 | 0 | 1 | 1 | 1           | 0 | 0 | 0 | 0 | 0 | 1 | 1 | 1       | 0 | 0 | 0 | 0 | 0 | 0 | 0 | 0       | 0 | 0 | 0 | 0 | 0 | 0 | 0 | 0 | 0 | 0 | 0 | 0 |   |   |   |   |
| #06             | 0              | 0 | 0 | 0 | 0 | 0 | 0 | 0 | 0           | 0 | 0 | 0 | 0 | 0 | 0 | 0 | 0       | 0 | 0 | 0 | 0 | 0 | 0 | 0 | 0       | 0 | 0 | 0 | 0 | 0 | 0 | 0 | 0 | 0 | 0 | 0 | 0 |   |   |   |   |
| #07             | 1              | 1 | 1 | 0 | 0 | 0 | 0 | 1 | 1           | 1 | 1 | 0 | 0 | 0 | 0 | 1 | 1       | 1 | 1 | 0 | 0 | 0 | 0 | 0 | 0       | 0 | 0 | 1 | 1 | 1 | 0 | 0 | 0 | 0 | 0 | 0 | 1 |   |   |   |   |
| #08             | 0              | 0 | 0 | 0 | 0 | 1 | 1 | 0 | 0           | 0 | 0 | 0 | 1 | 1 | 0 | 0 | 0       | 0 | 0 | 1 | 1 | 0 | 0 | 0 | 0       | 0 | 0 | 0 | 0 | 1 | 1 | 0 | 0 | 0 | 0 | 1 | 1 | 0 |   |   |   |
| #09             | 0              | 0 | 0 | 0 | 1 | 0 | 0 | 0 | 0           | 0 | 0 | 1 | 0 | 0 | 0 | 0 | 0       | 0 | 0 | 0 | 0 | 0 | 0 | 0 | 0       | 0 | 0 | 0 | 0 | 1 | 0 | 0 | 0 | 0 | 0 | 0 | 0 | 0 |   |   |   |
| #10             | 1              | 1 | 1 | 0 | 1 | 1 | 1 | 1 | 1           | 1 | 0 | 1 | 0 | 1 | 1 | 1 | 1       | 1 | 0 | 0 | 0 | 0 | 1 | 0 | 1       | 1 | 1 | 1 | 1 | 1 | 1 | 1 | 1 | 1 | 1 | 1 | 1 | 1 |   |   |   |
| #11             | 1              | 0 | 0 | 0 | 0 | 0 | 0 | 0 | 0           | 0 | 0 | 0 | 0 | 0 | 0 | 0 | 0       | 0 | 0 | 0 | 0 | 0 | 0 | 0 | 0       | 0 | 0 | 0 | 0 | 0 | 0 | 0 | 0 | 0 | 0 | 0 | 0 | 0 |   |   |   |
| #12             | 0              | 0 | 1 | 0 | 0 | 0 | 0 | 1 | 0           | 0 | 1 | 0 | 0 | 0 | 0 | 1 | 0       | 0 | 0 | 0 | 0 | 0 | 0 | 0 | 1       | 0 | 0 | 1 | 0 | 0 | 0 | 0 | 0 | 0 | 0 | 0 | 0 | 0 | 0 |   |   |
| #13             | 0              | 0 | 0 | 0 | 1 | 0 | 0 | 0 | 0           | 0 | 0 | 1 | 0 | 0 | 0 | 0 | 0       | 0 | 0 | 1 | 0 | 0 | 0 | 0 | 0       | 0 | 0 | 0 | 0 | 1 | 0 | 0 | 0 | 0 | 0 | 0 | 0 | 0 | 0 |   |   |
| #14             | 0              | 1 | 0 | 1 | 0 | 0 | 0 | 0 | 0           | 1 | 0 | 1 | 0 | 0 | 0 | 0 | 0       | 0 | 1 | 0 | 0 | 1 | 0 | 0 | 0       | 0 | 0 | 1 | 0 | 1 | 0 | 0 | 0 | 0 | 0 | 0 | 0 | 0 | 0 |   |   |
| #15             | 0              | 0 | 0 | 0 | 0 | 0 | 0 | 1 | 0           | 0 | 0 | 0 | 0 | 0 | 0 | 1 | 0       | 0 | 0 | 0 | 0 | 0 | 0 | 0 | 0       | 0 | 0 | 0 | 0 | 0 | 0 | 0 | 0 | 0 | 0 | 0 | 0 | 0 | 0 |   |   |
| #16             | 1              | 1 | 0 | 0 | 0 | 0 | 0 | 0 | 1           | 1 | 0 | 0 | 0 | 0 | 0 | 0 | 0       | 1 | 1 | 0 | 0 | 0 | 0 | 0 | 0       | 0 | 0 | 1 | 1 | 0 | 0 | 0 | 0 | 0 | 0 | 0 | 0 | 0 | 0 |   |   |
| #17             | 0              | 0 | 0 | 0 | 0 | 0 | 0 | 0 | 0           | 0 | 0 | 0 | 0 | 0 | 0 | 0 | 0       | 0 | 0 | 0 | 0 | 0 | 0 | 0 | 0       | 0 | 0 | 0 | 0 | 0 | 0 | 0 | 0 | 0 | 0 | 0 | 0 | 0 | 0 |   |   |
| #18             | 0              | 1 | 0 | 0 | 0 | 0 | 0 | 0 | 0           | 1 | 0 | 0 | 0 | 0 | 0 | 0 | 0       | 0 | 1 | 0 | 0 | 0 | 0 | 0 | 0       | 0 | 0 | 1 | 0 | 0 | 0 | 0 | 0 | 0 | 0 | 0 | 0 | 0 | 0 |   |   |
| #19             | 1              | 1 | 0 | 1 | 1 | 1 | 1 | 0 | 1           | 1 | 0 | 1 | 1 | 1 | 1 | 0 | 1       | 1 | 0 | 1 | 1 | 1 | 1 | 0 | 1       | 1 | 0 | 1 | 1 | 0 | 1 | 1 | 1 | 1 | 0 | 1 | 1 | 0 | 1 |   |   |
| #20             | 0              | 0 | 0 | 0 | 0 | 1 | 1 | 1 | 0           | 0 | 0 | 0 | 0 | 0 | 1 | 1 | 0       | 0 | 0 | 0 | 0 | 1 | 1 | 0 | 0       | 0 | 0 | 0 | 0 | 0 | 0 | 0 | 0 | 0 | 0 | 0 | 0 | 0 | 0 | 0 |   |
| #21             | 0              | 0 | 0 | 0 | 0 | 0 | 1 | 1 | 0           | 0 | 0 | 0 | 0 | 0 | 1 | 1 | 0       | 0 | 0 | 0 | 0 | 0 | 1 | 1 | 0       | 0 | 0 | 0 | 0 | 0 | 0 | 0 | 0 | 0 | 0 | 0 | 0 | 0 | 0 | 0 |   |
| #22             | 1              | 1 | 1 | 0 | 0 | 0 | 0 | 0 | 1           | 1 | 1 | 0 | 0 | 0 | 0 | 0 | 0       | 1 | 1 | 1 | 0 | 0 | 0 | 0 | 0       | 0 | 0 | 1 | 1 | 1 | 0 | 0 | 0 | 0 | 0 | 0 | 0 | 0 | 0 | 0 |   |
| #23             | 0              | 1 | 1 | 0 | 0 | 0 | 0 | 0 | 0           | 1 | 1 | 0 | 0 | 0 | 0 | 0 | 0       | 0 | 1 | 1 | 1 | 0 | 0 | 0 | 0       | 0 | 0 | 0 | 1 | 1 | 0 | 0 | 0 | 0 | 0 | 0 | 0 | 0 | 0 | 0 |   |
| #24             | 0              | 1 | 0 | 0 | 0 | 0 | 0 | 0 | 0           | 1 | 0 | 0 | 0 | 0 | 0 | 0 | 0       | 0 | 0 | 1 | 0 | 0 | 0 | 0 | 0       | 0 | 0 | 0 | 1 | 0 | 0 | 0 | 0 | 0 | 0 | 0 | 0 | 0 | 0 | 0 |   |
| #25             | 0              | 1 | 0 | 0 | 0 | 0 | 0 | 0 | 0           | 0 | 1 | 0 | 0 | 0 | 0 | 0 | 0       | 0 | 0 | 1 | 0 | 0 | 0 | 0 | 0       | 0 | 0 | 0 | 1 | 0 | 0 | 0 | 0 | 0 | 0 | 0 | 0 | 0 | 0 | 0 |   |
| #26             | 0              | 0 | 0 | 0 | 0 | 0 | 0 | 0 | 0           | 0 | 0 | 0 | 0 | 0 | 0 | 0 | 0       | 0 | 0 | 0 | 0 | 0 | 0 | 0 | 0       | 0 | 0 | 0 | 0 | 0 | 0 | 0 | 0 | 0 | 0 | 0 | 0 | 0 | 0 | 0 |   |
| #27             | 0              | 0 | 0 | 0 | 0 | 0 | 0 | 0 | 0           | 0 | 0 | 0 | 0 | 0 | 0 | 0 | 0       | 0 | 0 | 0 | 0 | 0 | 0 | 0 | 0       | 0 | 0 | 0 | 0 | 0 | 0 | 0 | 0 | 0 | 0 | 0 | 0 | 0 | 0 | 0 |   |
| #28             | 1              | 1 | 1 | 0 | 1 | 0 | 1 | 0 | 1           | 1 | 1 | 0 | 1 | 0 | 1 | 0 | 1       | 1 | 1 | 0 | 0 | 1 | 0 | 1 | 0       | 1 | 1 | 1 | 0 | 1 | 0 | 1 | 0 | 1 | 0 | 1 | 0 | 1 | 0 | 1 |   |
| #29             | 0              | 0 | 0 | 0 | 1 | 0 | 0 | 0 | 0           | 0 | 0 | 0 | 1 | 0 | 0 | 0 | 0       | 0 | 0 | 1 | 0 | 0 | 0 | 0 | 0       | 0 | 0 | 0 | 0 | 0 | 0 | 0 | 0 | 0 | 0 | 0 | 0 | 0 | 0 | 0 |   |
| #30             | 0              | 0 | 0 | 0 | 0 | 0 | 1 | 0 | 0           | 0 | 0 | 0 | 0 | 0 | 1 | 0 | 0       | 0 | 0 | 0 | 0 | 0 | 0 | 0 | 0       | 0 | 0 | 0 | 0 | 0 | 0 | 0 | 0 | 0 | 0 | 0 | 0 | 0 | 0 | 0 |   |
| #31             | 0              | 1 | 0 | 1 | 0 | 1 | 0 | 0 | 0           | 0 | 1 | 0 | 1 | 0 | 0 | 0 | 0       | 0 | 1 | 0 | 0 | 0 | 0 | 0 | 0       | 0 | 0 | 0 | 1 | 0 | 1 | 0 | 1 | 0 | 0 | 0 | 0 | 0 | 0 | 0 |   |
| #32             | 1              | 0 | 1 | 1 | 0 | 0 | 0 | 0 | 0           | 1 | 0 | 1 | 1 | 0 | 0 | 0 | 0       | 0 | 0 | 1 | 0 | 1 | 1 | 0 | 0       | 0 | 0 | 0 | 1 | 0 | 1 | 1 | 0 | 0 | 0 | 0 | 0 | 0 | 0 | 0 | 0 |
| #33             | 0              | 0 | 0 | 0 | 0 | 0 | 1 | 0 | 0           | 0 | 0 | 0 | 0 | 0 | 0 | 0 | 0       | 0 | 0 | 0 | 0 | 0 | 0 | 0 | 0       | 0 | 0 | 0 | 0 | 0 | 0 | 0 | 0 | 0 | 0 | 0 | 0 | 0 | 0 | 0 | 0 |
| #34             | 0              | 0 | 0 | 0 | 0 | 0 | 0 | 0 | 0           | 0 | 0 | 0 | 0 | 0 | 0 | 0 | 0       | 0 | 0 | 0 | 0 | 0 | 0 | 0 | 0       | 0 | 0 | 0 | 0 | 0 | 0 | 0 | 0 | 0 | 0 | 0 | 0 | 0 | 0 | 0 | 0 |
| #35             | 0              | 0 | 0 | 0 | 0 | 1 | 0 | 1 | 0           | 0 | 0 | 0 | 0 | 1 | 0 | 0 | 1       | 0 | 0 | 0 | 0 | 0 | 0 | 0 | 0       | 0 | 0 | 0 | 0 | 0 | 0 | 0 | 0 | 0 | 0 | 0 | 0 | 0 | 0 | 0 | 0 |
| #36             | 0              | 1 | 0 | 1 | 0 | 0 | 0 | 0 | 0           | 1 | 0 | 1 | 0 | 0 | 0 | 0 | 0       | 0 | 1 | 0 | 1 | 0 | 0 | 0 | 0       | 0 | 0 | 0 | 1 | 0 | 1 | 0 | 0 | 0 | 0 | 0 | 0 | 0 | 0 | 0 | 0 |
| #37             | 0              | 0 | 0 | 0 | 0 | 0 | 0 | 0 | 0           | 0 | 0 | 0 | 0 | 0 | 0 | 0 | 0       | 0 | 0 | 0 | 0 | 0 | 0 | 0 | 0       | 0 | 0 | 0 | 0 | 0 | 0 | 0 | 0 | 0 | 0 | 0 | 0 | 0 | 0 | 0 | 0 |
| #38             | 1              | 0 | 0 | 0 | 0 | 1 | 0 | 0 | 0           | 0 | 0 | 0 | 0 | 0 | 0 | 0 | 0       | 0 | 0 | 0 | 0 | 0 | 0 | 0 | 0       | 0 | 0 | 0 | 0 | 0 | 0 | 0 | 0 | 0 | 0 | 0 | 0 | 0 | 0 | 0 |   |

bizhub C25

ADJUSTMENT / SETTING

| Soft Switch No. | Marketing area |   |   |   |   |   |   |   |             |   |   |   |   |   |   |   |         |   |   |   |   |   |   |   |         |   |   |   |   |   |   |   |   |
|-----------------|----------------|---|---|---|---|---|---|---|-------------|---|---|---|---|---|---|---|---------|---|---|---|---|---|---|---|---------|---|---|---|---|---|---|---|---|
|                 | Sweden         |   |   |   |   |   |   |   | Switzerland |   |   |   |   |   |   |   | Taiwan  |   |   |   |   |   |   |   | Turkey  |   |   |   |   |   |   |   |   |
|                 | Bit No.        |   |   |   |   |   |   |   | Bit No.     |   |   |   |   |   |   |   | Bit No. |   |   |   |   |   |   |   | Bit No. |   |   |   |   |   |   |   |   |
|                 | 1              | 2 | 3 | 4 | 5 | 6 | 7 | 8 | 1           | 2 | 3 | 4 | 5 | 6 | 7 | 8 | 1       | 2 | 3 | 4 | 5 | 6 | 7 | 8 | 1       | 2 | 3 | 4 | 5 | 6 | 7 | 8 |   |
| #39             | 1              | 0 | 0 | 0 | 0 | 0 | 0 | 0 | 1           | 0 | 0 | 0 | 0 | 0 | 0 | 0 | 1       | 0 | 0 | 0 | 0 | 0 | 0 | 0 | 0       | 1 | 0 | 0 | 0 | 0 | 0 | 0 | 0 |
| #40             | 0              | 0 | 0 | 0 | 0 | 0 | 0 | 0 | 0           | 0 | 0 | 0 | 0 | 0 | 0 | 0 | 0       | 0 | 0 | 0 | 0 | 0 | 0 | 0 | 0       | 0 | 0 | 0 | 0 | 0 | 0 | 0 | 0 |
| #41             | 0              | 0 | 0 | 0 | 0 | 0 | 0 | 0 | 0           | 0 | 0 | 0 | 0 | 0 | 0 | 0 | 0       | 0 | 0 | 0 | 0 | 0 | 0 | 0 | 0       | 0 | 0 | 0 | 0 | 0 | 0 | 0 | 0 |
| #42             | 0              | 0 | 0 | 0 | 0 | 0 | 0 | 0 | 0           | 0 | 0 | 0 | 0 | 0 | 0 | 0 | 0       | 0 | 0 | 0 | 0 | 0 | 0 | 0 | 0       | 0 | 0 | 0 | 0 | 0 | 0 | 0 | 0 |
| #43             | 0              | 0 | 0 | 0 | 0 | 0 | 0 | 0 | 0           | 0 | 0 | 0 | 0 | 0 | 0 | 0 | 0       | 0 | 0 | 0 | 0 | 0 | 0 | 0 | 0       | 0 | 0 | 0 | 0 | 0 | 0 | 0 | 0 |
| #44             | 0              | 0 | 0 | 0 | 0 | 0 | 0 | 0 | 0           | 0 | 0 | 0 | 0 | 0 | 0 | 0 | 0       | 0 | 0 | 0 | 0 | 0 | 0 | 0 | 0       | 0 | 0 | 0 | 0 | 0 | 0 | 0 | 0 |
| #45             | 0              | 0 | 0 | 0 | 0 | 0 | 0 | 0 | 0           | 0 | 0 | 0 | 0 | 0 | 0 | 0 | 0       | 0 | 0 | 0 | 0 | 0 | 0 | 0 | 0       | 0 | 0 | 0 | 0 | 0 | 0 | 0 | 0 |
| #46             | 0              | 1 | 0 | 1 | 0 | 0 | 0 | 0 | 0           | 1 | 0 | 1 | 0 | 0 | 0 | 0 | 0       | 1 | 0 | 1 | 0 | 0 | 0 | 0 | 0       | 0 | 1 | 0 | 1 | 0 | 0 | 0 | 0 |
| #47             | 0              | 0 | 0 | 0 | 0 | 0 | 0 | 0 | 0           | 0 | 0 | 0 | 0 | 0 | 0 | 0 | 0       | 0 | 0 | 0 | 0 | 0 | 0 | 0 | 0       | 0 | 0 | 0 | 0 | 0 | 0 | 0 | 0 |
| #48             | 0              | 0 | 0 | 1 | 0 | 1 | 0 | 1 | 0           | 0 | 0 | 1 | 0 | 1 | 0 | 1 | 0       | 0 | 0 | 1 | 0 | 1 | 0 | 1 | 0       | 0 | 0 | 0 | 1 | 0 | 1 | 0 | 1 |
| #49             | 1              | 0 | 0 | 0 | 0 | 0 | 0 | 0 | 1           | 0 | 0 | 0 | 0 | 0 | 0 | 0 | 1       | 0 | 0 | 0 | 0 | 0 | 0 | 0 | 1       | 0 | 0 | 0 | 0 | 0 | 0 | 0 |   |
| #50             | 1              | 0 | 0 | 1 | 0 | 0 | 0 | 0 | 1           | 0 | 0 | 1 | 0 | 0 | 0 | 0 | 1       | 0 | 0 | 1 | 0 | 0 | 0 | 0 | 1       | 0 | 0 | 1 | 0 | 0 | 0 | 0 |   |
| #51             | 0              | 0 | 0 | 0 | 0 | 0 | 0 | 0 | 0           | 0 | 0 | 0 | 0 | 0 | 0 | 0 | 0       | 0 | 0 | 0 | 0 | 0 | 0 | 0 | 0       | 0 | 0 | 0 | 0 | 0 | 0 | 0 |   |
| #52             | 0              | 0 | 0 | 0 | 0 | 0 | 0 | 0 | 0           | 0 | 0 | 0 | 0 | 0 | 0 | 0 | 0       | 0 | 0 | 0 | 0 | 0 | 0 | 0 | 0       | 0 | 0 | 0 | 0 | 0 | 0 | 0 | 0 |
| #53             | 0              | 0 | 0 | 0 | 0 | 0 | 0 | 0 | 0           | 0 | 0 | 0 | 0 | 0 | 0 | 0 | 0       | 0 | 0 | 0 | 0 | 0 | 0 | 0 | 0       | 0 | 0 | 0 | 0 | 0 | 0 | 0 | 0 |
| #54             | 0              | 0 | 0 | 1 | 0 | 1 | 0 | 1 | 0           | 0 | 0 | 1 | 0 | 1 | 0 | 1 | 0       | 0 | 0 | 1 | 0 | 1 | 0 | 1 | 0       | 0 | 0 | 0 | 1 | 0 | 1 | 0 | 1 |
| #55             | 0              | 0 | 0 | 0 | 0 | 0 | 1 | 0 | 0           | 0 | 0 | 0 | 0 | 1 | 0 | 1 | 0       | 0 | 0 | 0 | 0 | 0 | 0 | 0 | 0       | 0 | 0 | 0 | 0 | 0 | 0 | 1 | 0 |
| #56             | 1              | 0 | 0 | 1 | 0 | 0 | 0 | 0 | 1           | 0 | 0 | 1 | 0 | 0 | 0 | 0 | 1       | 0 | 0 | 1 | 0 | 0 | 0 | 0 | 1       | 0 | 0 | 1 | 0 | 0 | 0 | 0 | 0 |
| #57             | 0              | 0 | 0 | 0 | 0 | 0 | 0 | 0 | 0           | 0 | 0 | 0 | 0 | 0 | 0 | 0 | 0       | 0 | 0 | 0 | 0 | 0 | 0 | 0 | 0       | 0 | 0 | 0 | 0 | 0 | 0 | 0 | 0 |
| #58             | 0              | 0 | 0 | 0 | 0 | 0 | 0 | 0 | 0           | 0 | 0 | 0 | 0 | 0 | 0 | 0 | 0       | 0 | 0 | 0 | 0 | 0 | 0 | 0 | 0       | 0 | 0 | 0 | 0 | 0 | 0 | 0 | 0 |
| #59             | 0              | 1 | 0 | 0 | 0 | 0 | 0 | 0 | 0           | 1 | 0 | 0 | 0 | 0 | 0 | 0 | 0       | 0 | 0 | 1 | 0 | 0 | 0 | 0 | 0       | 0 | 0 | 0 | 0 | 0 | 0 | 0 | 0 |
| #60             | 0              | 0 | 0 | 0 | 0 | 0 | 0 | 0 | 0           | 0 | 0 | 0 | 0 | 0 | 0 | 0 | 0       | 0 | 0 | 0 | 0 | 0 | 0 | 0 | 0       | 0 | 0 | 0 | 0 | 0 | 0 | 0 | 0 |
| #61             | 1              | 1 | 1 | 1 | 0 | 0 | 0 | 0 | 1           | 1 | 1 | 1 | 0 | 0 | 0 | 0 | 1       | 1 | 1 | 1 | 0 | 0 | 0 | 0 | 1       | 1 | 1 | 1 | 0 | 0 | 0 | 0 | 0 |
| #62             | 0              | 0 | 0 | 0 | 0 | 0 | 0 | 0 | 0           | 0 | 0 | 0 | 0 | 0 | 0 | 0 | 0       | 0 | 0 | 0 | 0 | 0 | 0 | 0 | 0       | 0 | 0 | 0 | 0 | 0 | 0 | 0 | 0 |
| #63             | 0              | 0 | 0 | 0 | 0 | 0 | 0 | 1 | 0           | 0 | 0 | 0 | 0 | 0 | 1 | 0 | 0       | 0 | 0 | 0 | 0 | 0 | 1 | 0 | 0       | 0 | 0 | 0 | 0 | 0 | 0 | 1 | 0 |
| #64             | 0              | 0 | 0 | 0 | 0 | 0 | 0 | 0 | 0           | 0 | 0 | 0 | 0 | 0 | 0 | 0 | 0       | 0 | 0 | 0 | 0 | 0 | 0 | 0 | 0       | 0 | 0 | 0 | 0 | 0 | 0 | 0 | 0 |

**K. Market area 11**

| Soft Switch No. | Marketing area |   |   |   |   |   |   |   |
|-----------------|----------------|---|---|---|---|---|---|---|
|                 | Vietnam        |   |   |   |   |   |   |   |
|                 | Bit No.        |   |   |   |   |   |   |   |
|                 | 1              | 2 | 3 | 4 | 5 | 6 | 7 | 8 |
| #01             | 1              | 0 | 0 | 0 | 0 | 0 | 0 | 0 |
| #02             | 0              | 0 | 0 | 0 | 0 | 1 | 0 | 0 |
| #03             | 0              | 1 | 1 | 0 | 0 | 0 | 1 | 1 |
| #04             | 1              | 0 | 1 | 1 | 0 | 0 | 0 | 0 |
| #05             | 1              | 0 | 0 | 0 | 0 | 0 | 1 | 1 |
| #06             | 0              | 0 | 0 | 0 | 0 | 0 | 0 | 0 |
| #07             | 1              | 1 | 1 | 0 | 0 | 0 | 0 | 1 |
| #08             | 0              | 0 | 0 | 0 | 0 | 1 | 1 | 0 |
| #09             | 0              | 0 | 0 | 0 | 1 | 0 | 0 | 0 |
| #10             | 1              | 1 | 1 | 0 | 1 | 1 | 1 | 1 |
| #11             | 1              | 0 | 0 | 0 | 0 | 0 | 0 | 0 |
| #12             | 0              | 0 | 1 | 0 | 0 | 0 | 0 | 1 |
| #13             | 0              | 0 | 0 | 0 | 1 | 0 | 0 | 0 |
| #14             | 0              | 1 | 0 | 1 | 0 | 0 | 0 | 0 |
| #15             | 0              | 0 | 0 | 0 | 0 | 0 | 0 | 1 |
| #16             | 1              | 1 | 0 | 0 | 0 | 0 | 0 | 0 |
| #17             | 0              | 0 | 0 | 0 | 0 | 0 | 0 | 0 |
| #18             | 0              | 1 | 0 | 0 | 0 | 0 | 0 | 0 |
| #19             | 1              | 1 | 0 | 1 | 1 | 1 | 1 | 0 |
| #20             | 0              | 0 | 0 | 0 | 0 | 0 | 1 | 1 |
| #21             | 0              | 0 | 0 | 0 | 0 | 0 | 1 | 1 |
| #22             | 1              | 1 | 1 | 0 | 0 | 0 | 0 | 0 |
| #23             | 0              | 1 | 1 | 0 | 0 | 0 | 0 | 0 |
| #24             | 0              | 1 | 0 | 0 | 0 | 0 | 0 | 0 |
| #25             | 0              | 1 | 0 | 0 | 0 | 0 | 0 | 0 |
| #26             | 0              | 0 | 0 | 0 | 0 | 0 | 0 | 0 |
| #27             | 0              | 0 | 0 | 0 | 0 | 0 | 0 | 0 |
| #28             | 1              | 1 | 1 | 0 | 1 | 0 | 1 | 0 |
| #29             | 0              | 0 | 0 | 0 | 1 | 0 | 0 | 0 |
| #30             | 0              | 0 | 0 | 0 | 0 | 0 | 1 | 0 |
| #31             | 0              | 1 | 0 | 1 | 0 | 1 | 0 | 0 |
| #32             | 1              | 0 | 1 | 1 | 0 | 0 | 0 | 0 |
| #33             | 0              | 0 | 0 | 0 | 0 | 0 | 1 | 0 |
| #34             | 0              | 0 | 0 | 0 | 0 | 0 | 0 | 0 |
| #35             | 0              | 0 | 0 | 0 | 0 | 1 | 0 | 1 |
| #36             | 0              | 1 | 0 | 1 | 0 | 0 | 0 | 1 |
| #37             | 0              | 0 | 0 | 0 | 0 | 0 | 0 | 0 |
| #38             | 1              | 0 | 0 | 0 | 0 | 1 | 0 | 0 |

bizhub C25

ADJUSTMENT / SETTING

| Soft Switch No. | Marketing area |   |   |   |   |   |   |   |
|-----------------|----------------|---|---|---|---|---|---|---|
|                 | Vietnam        |   |   |   |   |   |   |   |
|                 | Bit No.        |   |   |   |   |   |   |   |
|                 | 1              | 2 | 3 | 4 | 5 | 6 | 7 | 8 |
| #39             | 1              | 0 | 0 | 0 | 0 | 0 | 0 | 0 |
| #40             | 0              | 0 | 0 | 0 | 0 | 0 | 0 | 0 |
| #41             | 0              | 0 | 0 | 0 | 0 | 0 | 0 | 0 |
| #42             | 0              | 0 | 0 | 0 | 0 | 0 | 0 | 0 |
| #43             | 0              | 0 | 0 | 0 | 0 | 0 | 0 | 0 |
| #44             | 0              | 0 | 0 | 0 | 0 | 0 | 0 | 0 |
| #45             | 0              | 0 | 0 | 0 | 0 | 0 | 0 | 0 |
| #46             | 0              | 1 | 0 | 1 | 0 | 0 | 0 | 0 |
| #47             | 0              | 0 | 0 | 0 | 0 | 0 | 0 | 0 |
| #48             | 0              | 0 | 0 | 1 | 0 | 1 | 0 | 1 |
| #49             | 1              | 0 | 0 | 0 | 0 | 0 | 0 | 0 |
| #50             | 1              | 0 | 0 | 1 | 0 | 0 | 0 | 0 |
| #51             | 0              | 0 | 0 | 0 | 0 | 0 | 0 | 0 |
| #52             | 0              | 0 | 0 | 0 | 0 | 0 | 0 | 0 |
| #53             | 0              | 0 | 0 | 0 | 0 | 0 | 0 | 0 |
| #54             | 0              | 0 | 0 | 1 | 0 | 1 | 0 | 1 |
| #55             | 0              | 0 | 0 | 0 | 0 | 0 | 0 | 0 |
| #56             | 1              | 0 | 0 | 1 | 0 | 0 | 0 | 0 |
| #57             | 0              | 0 | 0 | 0 | 0 | 0 | 0 | 0 |
| #58             | 0              | 0 | 0 | 0 | 0 | 0 | 0 | 0 |
| #59             | 0              | 0 | 0 | 0 | 0 | 0 | 0 | 0 |
| #60             | 0              | 0 | 0 | 0 | 0 | 0 | 0 | 0 |
| #61             | 1              | 1 | 1 | 1 | 0 | 0 | 0 | 0 |
| #62             | 0              | 0 | 0 | 0 | 0 | 0 | 0 | 0 |
| #63             | 0              | 0 | 0 | 0 | 0 | 0 | 0 | 1 |
| #64             | 0              | 0 | 0 | 0 | 0 | 0 | 0 | 0 |

### 14.3 Soft switch definition

#### 14.3.1 SOFT SWITCH: #01

| Bit No.     | Designation                  | Function   | Initial setting |     |          |          |         |          |           |   |   |   |   |           |   |   |   |   |   |
|-------------|------------------------------|--|-----------------|-----|----------|----------|---------|----------|-----------|---|---|---|---|-----------|---|---|---|---|---|
|             |                              |  | Bit             | HEX |          |          |         |          |           |   |   |   |   |           |   |   |   |   |   |
| 8           | Reserved                     | Reserved   | 0               | 0   |          |          |         |          |           |   |   |   |   |           |   |   |   |   |   |
| 7           |                              |  | 0               |     |          |          |         |          |           |   |   |   |   |           |   |   |   |   |   |
| 6           |                              |  | 0               |     |          |          |         |          |           |   |   |   |   |           |   |   |   |   |   |
| 5           |                              |  | 0               |     |          |          |         |          |           |   |   |   |   |           |   |   |   |   |   |
| 4           |                              |  | 0               |     |          |          |         |          |           |   |   |   |   |           |   |   |   |   |   |
| 3           | Start key default for N-Scan | 0: Color or Grayscale  | 0               | 1   |          |          |         |          |           |   |   |   |   |           |   |   |   |   |   |
|             |                              | 1: BW only   |                 |     |          |          |         |          |           |   |   |   |   |           |   |   |   |   |   |
| 2           | V.34 CI signal byte number   | <table border="1"> <thead> <tr> <th>Byte number</th> <th>30 bytes</th> <th>15 bytes</th> <th>9 bytes</th> <th>60 bytes</th> </tr> </thead> <tbody> <tr> <td>Bit No. 2</td> <td>0</td> <td>0</td> <td>1</td> <td>1</td> </tr> <tr> <td>Bit No. 1</td> <td>0</td> <td>1</td> <td>0</td> <td>1</td> </tr> </tbody> </table> | Byte number     |     | 30 bytes | 15 bytes | 9 bytes | 60 bytes | Bit No. 2 | 0 | 0 | 1 | 1 | Bit No. 1 | 0 | 1 | 0 | 1 | 0 |
| Byte number |                              | 30 bytes   | 15 bytes        |     | 9 bytes  | 60 bytes |         |          |           |   |   |   |   |           |   |   |   |   |   |
| Bit No. 2   | 0                            | 0  | 1               |     | 1        |          |         |          |           |   |   |   |   |           |   |   |   |   |   |
| Bit No. 1   | 0                            | 1  | 0               | 1   |          |          |         |          |           |   |   |   |   |           |   |   |   |   |   |
| 1           |                              |  | 1               |     |          |          |         |          |           |   |   |   |   |           |   |   |   |   |   |

**14.3.2 SOFT SWITCH: #02**

| Bit No.                        | Designation   | Function   | Initial setting                |                     |                     |                     |                     |             |                  |                     |                     |                     |                     |                  |              |              |              |              |           |   |   |   |   |           |   |   |   |   |   |   |
|--------------------------------|---|--|--------------------------------|---------------------|---------------------|---------------------|---------------------|-------------|------------------|---------------------|---------------------|---------------------|---------------------|------------------|--------------|--------------|--------------|--------------|-----------|---|---|---|---|-----------|---|---|---|---|---|---|
|                                |   |  | Bit                            | HEX                 |                     |                     |                     |             |                  |                     |                     |                     |                     |                  |              |              |              |              |           |   |   |   |   |           |   |   |   |   |   |   |
| 8                              | Time between phase C to phase D signal in V.17<br>Example:<br>Image → EOP | <table border="1"> <tr> <td>RX insensitivity</td> <td>70 ms</td> <td>120 ms</td> <td>180 ms</td> <td>60 ms</td> </tr> <tr> <td>Bit No. 8</td> <td>0</td> <td>0</td> <td>1</td> <td>1</td> </tr> <tr> <td>Bit No. 7</td> <td>0</td> <td>1</td> <td>0</td> <td>1</td> </tr> </table>   | RX insensitivity               | 70 ms               | 120 ms              | 180 ms              | 60 ms               | Bit No. 8   | 0                | 0                   | 1                   | 1                   | Bit No. 7           | 0                | 1            | 0            | 1            | 0            | 0         |   |   |   |   |           |   |   |   |   |   |   |
| RX insensitivity               |   | 70 ms  | 120 ms                         | 180 ms              | 60 ms               |                     |                     |             |                  |                     |                     |                     |                     |                  |              |              |              |              |           |   |   |   |   |           |   |   |   |   |   |   |
| Bit No. 8                      |   | 0  | 0                              | 1                   | 1                   |                     |                     |             |                  |                     |                     |                     |                     |                  |              |              |              |              |           |   |   |   |   |           |   |   |   |   |   |   |
| Bit No. 7                      | 0   | 1  | 0                              | 1                   |                     |                     |                     |             |                  |                     |                     |                     |                     |                  |              |              |              |              |           |   |   |   |   |           |   |   |   |   |   |   |
| 7                              |   | 0  |                                |                     |                     |                     |                     |             |                  |                     |                     |                     |                     |                  |              |              |              |              |           |   |   |   |   |           |   |   |   |   |   |   |
| 6                              | Header TX selection open to user  | <b>0: No</b><br>1: Yes   | 0                              |                     |                     |                     |                     |             |                  |                     |                     |                     |                     |                  |              |              |              |              |           |   |   |   |   |           |   |   |   |   |   |   |
| 5                              | Confirm fax No.   | <b>0: Not need to input fax number again</b><br>1: Need to input fax number again  | 0                              |                     |                     |                     |                     |             |                  |                     |                     |                     |                     |                  |              |              |              |              |           |   |   |   |   |           |   |   |   |   |   |   |
| 4                              | Reserved  | Reserved   | 0                              |                     |                     |                     |                     |             |                  |                     |                     |                     |                     |                  |              |              |              |              |           |   |   |   |   |           |   |   |   |   |   |   |
| 3                              | Transmit RTN/RTP/MCF signal level criteria                                | <table border="1"> <tr> <td rowspan="3">Percentage of error line level</td> <td>Send RTN command</td> <td>11% or more</td> <td>12% or more</td> <td>13% or more</td> <td>14% or more</td> </tr> <tr> <td>Send RTP command</td> <td>6% to less than 11%</td> <td>7% to less than 12%</td> <td>8% to less than 13%</td> <td>9% to less than 14%</td> </tr> <tr> <td>Send MCF command</td> <td>Less than 6%</td> <td>Less than 7%</td> <td>Less than 8%</td> <td>Less than 9%</td> </tr> <tr> <td>Bit No. 3</td> <td>0</td> <td>0</td> <td>1</td> <td>1</td> </tr> <tr> <td>Bit No. 2</td> <td>0</td> <td>1</td> <td>0</td> <td>1</td> </tr> </table> | Percentage of error line level | Send RTN command    | 11% or more         | 12% or more         | 13% or more         | 14% or more | Send RTP command | 6% to less than 11% | 7% to less than 12% | 8% to less than 13% | 9% to less than 14% | Send MCF command | Less than 6% | Less than 7% | Less than 8% | Less than 9% | Bit No. 3 | 0 | 0 | 1 | 1 | Bit No. 2 | 0 | 1 | 0 | 1 | 0 | 0 |
| Percentage of error line level |   | Send RTN command   |                                | 11% or more         | 12% or more         | 13% or more         | 14% or more         |             |                  |                     |                     |                     |                     |                  |              |              |              |              |           |   |   |   |   |           |   |   |   |   |   |   |
|                                |   | Send RTP command   |                                | 6% to less than 11% | 7% to less than 12% | 8% to less than 13% | 9% to less than 14% |             |                  |                     |                     |                     |                     |                  |              |              |              |              |           |   |   |   |   |           |   |   |   |   |   |   |
|                                |   | Send MCF command   | Less than 6%                   | Less than 7%        | Less than 8%        | Less than 9%        |                     |             |                  |                     |                     |                     |                     |                  |              |              |              |              |           |   |   |   |   |           |   |   |   |   |   |   |
| Bit No. 3                      | 0   | 0  | 1                              | 1                   |                     |                     |                     |             |                  |                     |                     |                     |                     |                  |              |              |              |              |           |   |   |   |   |           |   |   |   |   |   |   |
| Bit No. 2                      | 0   | 1  | 0                              | 1                   |                     |                     |                     |             |                  |                     |                     |                     |                     |                  |              |              |              |              |           |   |   |   |   |           |   |   |   |   |   |   |
| 2                              |   | 0  |                                |                     |                     |                     |                     |             |                  |                     |                     |                     |                     |                  |              |              |              |              |           |   |   |   |   |           |   |   |   |   |   |   |
| 1                              | Sent N.G page   | <b>0: Send N.G page and up to 3 times for that page</b><br>1: Not re-send that N.G page for G3 mode  | 0                              |                     |                     |                     |                     |             |                  |                     |                     |                     |                     |                  |              |              |              |              |           |   |   |   |   |           |   |   |   |   |   |   |
|                                |   |  |                                |                     |                     |                     |                     |             |                  |                     |                     |                     |                     |                  |              |              |              |              |           |   |   |   |   |           |   |   |   |   |   |   |

- Bit 6: If this bit set to “0”, the header select function can not change by user, only changeable by serviceman in service mode.
- Bit 3-2: In G3 mode, if error line for each page, machine will send RTP instead of RTN, in this case, some machine will resend the same page again. The retry times depend on other end.
- Bit 1: N.G indicate our side detected RTN signal from other end. In this case machine can resend the same page up to three or just one time, and this use for G3 mode only.

bizhub C25

ADJUSTMENT / SETTING

**14.3.3 SOFT SWITCH: #03**

| Bit No.   | Designation  | Function   | Initial setting |           |        |           |           |           |        |           |     |           |   |           |   |           |           |   |   |           |   |           |   |   |   |           |   |           |   |   |   |   |   |   |
|-----------|--|--|-----------------|-----------|--------|-----------|-----------|-----------|--------|-----------|-----|-----------|---|-----------|---|-----------|-----------|---|---|-----------|---|-----------|---|---|---|-----------|---|-----------|---|---|---|---|---|---|
|           |  |  | Bit             | HEX       |        |           |           |           |        |           |     |           |   |           |   |           |           |   |   |           |   |           |   |   |   |           |   |           |   |   |   |   |   |   |
| 8         | Send out NSF frame with station ID   | 0: No  | 1               | 8         |        |           |           |           |        |           |     |           |   |           |   |           |           |   |   |           |   |           |   |   |   |           |   |           |   |   |   |   |   |   |
|           |  | 1: Yes   |                 |           |        |           |           |           |        |           |     |           |   |           |   |           |           |   |   |           |   |           |   |   |   |           |   |           |   |   |   |   |   |   |
| 7         | Number of Pause within phone number  | 0: No any limitation   | 0               |           |        |           |           |           |        |           |     |           |   |           |   |           |           |   |   |           |   |           |   |   |   |           |   |           |   |   |   |   |   |   |
|           |  | 1: Max. up to 2 "P" within inputted telephone number   |                 |           |        |           |           |           |        |           |     |           |   |           |   |           |           |   |   |           |   |           |   |   |   |           |   |           |   |   |   |   |   |   |
| 6         | Re-dial prohibit for no answer   | 0: Continue to dial  | 0               |           |        |           |           |           |        |           |     |           |   |           |   |           |           |   |   |           |   |           |   |   |   |           |   |           |   |   |   |   |   |   |
|           |  | 1: Not allowed to re-dial if no any FAX signal or detected busy tone after dialing   |                 |           |        |           |           |           |        |           |     |           |   |           |   |           |           |   |   |           |   |           |   |   |   |           |   |           |   |   |   |   |   |   |
| 5         | Reserved   | Reserved   | 0               |           |        |           |           |           |        |           |     |           |   |           |   |           |           |   |   |           |   |           |   |   |   |           |   |           |   |   |   |   |   |   |
| 4         | RX level setting   | <table border="1"> <thead> <tr> <th>RX level</th> <th>-49 dB</th> <th>-48 dB</th> <th>-47 dB</th> <th>-46 dB</th> <th>-45 dB</th> </tr> </thead> <tbody> <tr> <td>Bit No. 4</td> <td>0</td> <td>0</td> <td>0</td> <td>0</td> <td>0</td> </tr> <tr> <td>Bit No. 3</td> <td>0</td> <td>0</td> <td>0</td> <td>0</td> <td>1</td> </tr> <tr> <td>Bit No. 2</td> <td>0</td> <td>0</td> <td>1</td> <td>1</td> <td>0</td> </tr> <tr> <td>Bit No. 1</td> <td>0</td> <td>1</td> <td>0</td> <td>1</td> <td>0</td> </tr> </tbody> </table> | RX level        |           | -49 dB | -48 dB    | -47 dB    | -46 dB    | -45 dB | Bit No. 4 | 0   | 0         | 0 | 0         | 0 | Bit No. 3 | 0         | 0 | 0 | 0         | 1 | Bit No. 2 | 0 | 0 | 1 | 1         | 0 | Bit No. 1 | 0 | 1 | 0 | 1 | 0 | 0 |
|           |  | RX level   | -49 dB          | -48 dB    | -47 dB | -46 dB    | -45 dB    |           |        |           |     |           |   |           |   |           |           |   |   |           |   |           |   |   |   |           |   |           |   |   |   |   |   |   |
|           |  | Bit No. 4  | 0               | 0         | 0      | 0         | 0         |           |        |           |     |           |   |           |   |           |           |   |   |           |   |           |   |   |   |           |   |           |   |   |   |   |   |   |
|           |  | Bit No. 3  | 0               | 0         | 0      | 0         | 1         |           |        |           |     |           |   |           |   |           |           |   |   |           |   |           |   |   |   |           |   |           |   |   |   |   |   |   |
|           |  | Bit No. 2  | 0               | 0         | 1      | 1         | 0         |           |        |           |     |           |   |           |   |           |           |   |   |           |   |           |   |   |   |           |   |           |   |   |   |   |   |   |
| Bit No. 1 | 0  | 1  | 0               | 1         | 0      |           |           |           |        |           |     |           |   |           |   |           |           |   |   |           |   |           |   |   |   |           |   |           |   |   |   |   |   |   |
| 3         | <table border="1"> <thead> <tr> <th>RX level</th> <th>-44 dB</th> <th>-43 dB</th> <th>-42 dB</th> <th>-41 dB</th> <th>-40 dB</th> </tr> </thead> <tbody> <tr> <td>Bit No. 4</td> <td>0</td> <td>0</td> <td>0</td> <td>1</td> <td>1</td> </tr> <tr> <td>Bit No. 3</td> <td>1</td> <td>1</td> <td>1</td> <td>0</td> <td>0</td> </tr> <tr> <td>Bit No. 2</td> <td>0</td> <td>1</td> <td>1</td> <td>0</td> <td>0</td> </tr> <tr> <td>Bit No. 1</td> <td>1</td> <td>0</td> <td>1</td> <td>0</td> <td>1</td> </tr> </tbody> </table> | RX level   | -44 dB          | -43 dB    | -42 dB | -41 dB    | -40 dB    | Bit No. 4 | 0      | 0         | 0   | 1         | 1 | Bit No. 3 | 1 | 1         | 1         | 0 | 0 | Bit No. 2 | 0 | 1         | 1 | 0 | 0 | Bit No. 1 | 1 | 0         | 1 | 0 | 1 | 1 |   |   |
|           | RX level   | -44 dB   | -43 dB          | -42 dB    | -41 dB | -40 dB    |           |           |        |           |     |           |   |           |   |           |           |   |   |           |   |           |   |   |   |           |   |           |   |   |   |   |   |   |
|           | Bit No. 4  | 0  | 0               | 0         | 1      | 1         |           |           |        |           |     |           |   |           |   |           |           |   |   |           |   |           |   |   |   |           |   |           |   |   |   |   |   |   |
|           | Bit No. 3  | 1  | 1               | 1         | 0      | 0         |           |           |        |           |     |           |   |           |   |           |           |   |   |           |   |           |   |   |   |           |   |           |   |   |   |   |   |   |
| Bit No. 2 | 0  | 1  | 1               | 0         | 0      |           |           |           |        |           |     |           |   |           |   |           |           |   |   |           |   |           |   |   |   |           |   |           |   |   |   |   |   |   |
| Bit No. 1 | 1  | 0  | 1               | 0         | 1      |           |           |           |        |           |     |           |   |           |   |           |           |   |   |           |   |           |   |   |   |           |   |           |   |   |   |   |   |   |
| 2         | <table border="1"> <thead> <tr> <th>RX level</th> <th>-39 dB</th> <th>-38 dB</th> <th>-37 dB</th> <th>-36 dB</th> </tr> </thead> <tbody> <tr> <td>Bit No. 4</td> <td>1</td> <td>1</td> <td>1</td> <td>1</td> </tr> <tr> <td>Bit No. 3</td> <td>0</td> <td>0</td> <td>1</td> <td>1</td> </tr> <tr> <td>Bit No. 2</td> <td>1</td> <td>1</td> <td>0</td> <td>0</td> </tr> <tr> <td>Bit No. 1</td> <td>0</td> <td>1</td> <td>0</td> <td>1</td> </tr> </tbody> </table>   | RX level   | -39 dB          | -38 dB    | -37 dB | -36 dB    | Bit No. 4 | 1         | 1      | 1         | 1   | Bit No. 3 | 0 | 0         | 1 | 1         | Bit No. 2 | 1 | 1 | 0         | 0 | Bit No. 1 | 0 | 1 | 0 | 1         | 1 |           |   |   |   |   |   |   |
|           | RX level   | -39 dB   | -38 dB          | -37 dB    | -36 dB |           |           |           |        |           |     |           |   |           |   |           |           |   |   |           |   |           |   |   |   |           |   |           |   |   |   |   |   |   |
|           | Bit No. 4  | 1  | 1               | 1         | 1      |           |           |           |        |           |     |           |   |           |   |           |           |   |   |           |   |           |   |   |   |           |   |           |   |   |   |   |   |   |
|           | Bit No. 3  | 0  | 0               | 1         | 1      |           |           |           |        |           |     |           |   |           |   |           |           |   |   |           |   |           |   |   |   |           |   |           |   |   |   |   |   |   |
| Bit No. 2 | 1  | 1  | 0               | 0         |        |           |           |           |        |           |     |           |   |           |   |           |           |   |   |           |   |           |   |   |   |           |   |           |   |   |   |   |   |   |
| Bit No. 1 | 0  | 1  | 0               | 1         |        |           |           |           |        |           |     |           |   |           |   |           |           |   |   |           |   |           |   |   |   |           |   |           |   |   |   |   |   |   |
| 1         | <table border="1"> <thead> <tr> <th>RX level</th> <th>Reserved</th> </tr> </thead> <tbody> <tr> <td>Bit No. 4</td> <td>1 1</td> </tr> <tr> <td>Bit No. 3</td> <td>1 1</td> </tr> <tr> <td>Bit No. 2</td> <td>1 1</td> </tr> <tr> <td>Bit No. 1</td> <td>0 1</td> </tr> </tbody> </table>   | RX level   | Reserved        | Bit No. 4 | 1 1    | Bit No. 3 | 1 1       | Bit No. 2 | 1 1    | Bit No. 1 | 0 1 | 0         |   |           |   |           |           |   |   |           |   |           |   |   |   |           |   |           |   |   |   |   |   |   |
|           | RX level   | Reserved   |                 |           |        |           |           |           |        |           |     |           |   |           |   |           |           |   |   |           |   |           |   |   |   |           |   |           |   |   |   |   |   |   |
|           | Bit No. 4  | 1 1  |                 |           |        |           |           |           |        |           |     |           |   |           |   |           |           |   |   |           |   |           |   |   |   |           |   |           |   |   |   |   |   |   |
|           | Bit No. 3  | 1 1  |                 |           |        |           |           |           |        |           |     |           |   |           |   |           |           |   |   |           |   |           |   |   |   |           |   |           |   |   |   |   |   |   |
| Bit No. 2 | 1 1  |  |                 |           |        |           |           |           |        |           |     |           |   |           |   |           |           |   |   |           |   |           |   |   |   |           |   |           |   |   |   |   |   |   |
| Bit No. 1 | 0 1  |  |                 |           |        |           |           |           |        |           |     |           |   |           |   |           |           |   |   |           |   |           |   |   |   |           |   |           |   |   |   |   |   |   |

- Bit 8: This bit set to 1, the answer machine will send machine name by NSF frame after connection.
- Bit 7: Can input Pause key to insert pause time between digits, this can put more than one "P" at the end of telephone number to increase calling time (T) after calling. In this case can use "P" to increase T1 time during calling to other parties.

bizhub C25

ADJUSTMENT / SETTING

**14.3.4 SOFT SWITCH: #04**

| Bit No.   | Designation                  | Function  | Initial setting |     |             |            |             |           |   |   |   |           |   |   |   |   |
|-----------|------------------------------|---|-----------------|-----|-------------|------------|-------------|-----------|---|---|---|-----------|---|---|---|---|
|           |                              |   | Bit             | HEX |             |            |             |           |   |   |   |           |   |   |   |   |
| 8         | Reserved                     | Reserved  | 0               | 0   |             |            |             |           |   |   |   |           |   |   |   |   |
| 7         |                              |   | 0               |     |             |            |             |           |   |   |   |           |   |   |   |   |
| 6         |                              |   | 0               |     |             |            |             |           |   |   |   |           |   |   |   |   |
| 5         |                              |   | 0               |     |             |            |             |           |   |   |   |           |   |   |   |   |
| 4         | Visible alarm for RTN signal | 0: No<br>1: Yes - Display message while sending / receiving RTN signal (RTN= Retrain Negative).   | 1               | C   |             |            |             |           |   |   |   |           |   |   |   |   |
| 3         | Audible alarm for RTN signal | 0: No<br>1: Yes - Alarm (BZ-42) for sending or receiving RTN signal.  | 1               |     |             |            |             |           |   |   |   |           |   |   |   |   |
| 2         | Pulse shape                  | <table border="1"> <thead> <tr> <th></th> <th>Normal</th> <th>Slow shape</th> <th>Super shape</th> </tr> </thead> <tbody> <tr> <td>Bit No. 2</td> <td>0</td> <td>0</td> <td>1</td> </tr> <tr> <td>Bit No. 1</td> <td>0</td> <td>1</td> <td>0</td> </tr> </tbody> </table> |                 |     | Normal      | Slow shape | Super shape | Bit No. 2 | 0 | 0 | 1 | Bit No. 1 | 0 | 1 | 0 | 0 |
|           |                              | Normal  | Slow shape      |     | Super shape |            |             |           |   |   |   |           |   |   |   |   |
| Bit No. 2 |                              | 0   | 0               |     | 1           |            |             |           |   |   |   |           |   |   |   |   |
| Bit No. 1 | 0                            | 1   | 0               |     |             |            |             |           |   |   |   |           |   |   |   |   |
| 1         |                              |   | 0               |     |             |            |             |           |   |   |   |           |   |   |   |   |

- Bit 4: The display message will keep on LCD 3 seconds or until next incoming T30 signal.
- Bit 3: The duration of alarm last 3 second after detect negative signal in G3 mode.



**14.3.5 SOFT SWITCH: #05**

| Bit No. | Designation                                   | Function         |                     |                   |                    | Initial setting   |     |   |
|---------|---|------------------|---------------------|-------------------|--------------------|-------------------|-----|---|
|         |   |                  |                     |                   |                    | Bit               | HEX |   |
| 8       | Push button ON/OFF timing (PB)                | Timing (ms)      | ON: 100<br>OFF: 140 | ON: 70<br>OFF: 70 | ON: 70<br>OFF: 140 | ON: 90<br>OFF: 90 | 0   |   |
| 7       |   | Bit No. 8        | 0                   | 0                 | 1                  | 1                 | 0   |   |
|         |   | Bit No. 7        | 0                   | 1                 | 0                  | 1                 |     |   |
| 6       | Relation between 10 key # & No. of dial pulse | #1               | 1                   | 2                 | 9                  | Reserved          | 0   | 0 |
|         |   | #2               | 2                   | 3                 | 8                  |                   |     |   |
|         |   | #3               | 3                   | 4                 | 7                  |                   |     |   |
|         |   | #4               | 4                   | 5                 | 6                  |                   |     |   |
|         |   | #5               | 5                   | 6                 | 5                  |                   |     |   |
|         |   | #6               | 6                   | 7                 | 4                  |                   |     |   |
|         |   | #7               | 7                   | 8                 | 3                  |                   |     |   |
|         |   | #8               | 8                   | 9                 | 2                  |                   |     |   |
|         |   | #9               | 9                   | 10                | 1                  |                   |     |   |
|         |   | #0               | 10                  | 1                 | 10                 |                   |     |   |
| 5       |   | Bit No. 6        | 0                   | 0                 | 1                  | 1                 | 0   |   |
|         | Bit No. 5                                     | 0                | 1                   | 0                 | 1                  |                   |     |   |
| 4       | 10 PPS/20 PPS                                 | <b>0: 10 PPS</b> |                     |                   |                    |                   | 0   |   |
|         |   | 1: 20 PPS        |                     |                   |                    |                   |     |   |
| 3       | PPS ratio                                     | PPS ratio (%)    | 28                  | 30                | <b>33</b>          | 40                | 0   | 2 |
| 2       |   | Bit No. 3        | 0                   | 0                 | <b>0</b>           | 0                 | 1   |   |
|         |   | Bit No. 2        | 0                   | 0                 | <b>1</b>           | 1                 |     |   |
| 1       |   | Bit No. 1        | 0                   | 1                 | <b>0</b>           | 1                 | 0   |   |

bizhub C25

ADJUSTMENT / SETTING

**14.3.6 SOFT SWITCH: #06**

| Bit No. | Designation  | Function   | Initial setting |     |
|---------|--|------------|-----------------|-----|
|         |  |            | Bit             | HEX |
| 8       | Reserved   | Reserved   | 0               | 0   |
| 7       |  |            | 0               |     |
| 6       |  |            | 0               |     |
| 5       | The time switch line to external phone after dialing the last digits | 0: 1 sec   | 0               |     |
|         |  | 1: 1.5 sec |                 |     |
| 4       | Reserved   | Reserved   | 0               | 0   |
| 3       |  |            | 0               |     |
| 2       |  |            | 0               |     |
| 1       |  |            | 0               |     |

**14.3.7 SOFT SWITCH: #07**

| Bit No.     | Designation  | Function  | Initial setting |     |     |     |     |     |     |     |           |           |   |   |   |   |   |   |   |           |           |   |   |   |   |   |   |   |           |           |   |   |   |   |   |   |   |   |           |   |   |   |   |   |   |   |   |   |
|-------------|--|---|-----------------|-----|-----|-----|-----|-----|-----|-----|-----------|-----------|---|---|---|---|---|---|---|-----------|-----------|---|---|---|---|---|---|---|-----------|-----------|---|---|---|---|---|---|---|---|-----------|---|---|---|---|---|---|---|---|---|
|             |  |   | Bit             | HEX |     |     |     |     |     |     |           |           |   |   |   |   |   |   |   |           |           |   |   |   |   |   |   |   |           |           |   |   |   |   |   |   |   |   |           |   |   |   |   |   |   |   |   |   |
| 8           | Dial tone or busy tone detection   | 0: Disable  | 0               | 0   |     |     |     |     |     |     |           |           |   |   |   |   |   |   |   |           |           |   |   |   |   |   |   |   |           |           |   |   |   |   |   |   |   |   |           |   |   |   |   |   |   |   |   |   |
|             |  | 1: Enable - Detect dial tone before dial  |                 |     |     |     |     |     |     |     |           |           |   |   |   |   |   |   |   |           |           |   |   |   |   |   |   |   |           |           |   |   |   |   |   |   |   |   |           |   |   |   |   |   |   |   |   |   |
| 7           | PSTN/PBX setting   | 0: PSTN   | 0               |     |     |     |     |     |     |     |           |           |   |   |   |   |   |   |   |           |           |   |   |   |   |   |   |   |           |           |   |   |   |   |   |   |   |   |           |   |   |   |   |   |   |   |   |   |
|             |  | 1: PBX - Select PBX line type   |                 |     |     |     |     |     |     |     |           |           |   |   |   |   |   |   |   |           |           |   |   |   |   |   |   |   |           |           |   |   |   |   |   |   |   |   |           |   |   |   |   |   |   |   |   |   |
| 6           | PBX dial tone detect   | 0: Not to detect dial tone before pre-fix number  | 0               |     |     |     |     |     |     |     |           |           |   |   |   |   |   |   |   |           |           |   |   |   |   |   |   |   |           |           |   |   |   |   |   |   |   |   |           |   |   |   |   |   |   |   |   |   |
|             |  | 1: Detect dial tone before the pre-fix number in PBX mode   |                 |     |     |     |     |     |     |     |           |           |   |   |   |   |   |   |   |           |           |   |   |   |   |   |   |   |           |           |   |   |   |   |   |   |   |   |           |   |   |   |   |   |   |   |   |   |
| 5           | Dial mode select   | 0: DTMF - PB  | 0               |     |     |     |     |     |     |     |           |           |   |   |   |   |   |   |   |           |           |   |   |   |   |   |   |   |           |           |   |   |   |   |   |   |   |   |           |   |   |   |   |   |   |   |   |   |
|             |  | 1: Pulse - DP   |                 |     |     |     |     |     |     |     |           |           |   |   |   |   |   |   |   |           |           |   |   |   |   |   |   |   |           |           |   |   |   |   |   |   |   |   |           |   |   |   |   |   |   |   |   |   |
| 4           | TX level select for PSK/FSK  | <table border="1"> <thead> <tr> <th>Level (dBm)</th> <th>-17</th> <th>-16</th> <th>-15</th> <th>-14</th> <th>-13</th> <th>-12</th> <th>-11</th> <th>-10</th> </tr> </thead> <tbody> <tr> <td>Bit No. 4</td> <td>0</td> <td>0</td> <td>0</td> <td>0</td> <td>0</td> <td>0</td> <td>0</td> <td>0</td> </tr> <tr> <td>Bit No. 3</td> <td>0</td> <td>0</td> <td>0</td> <td>0</td> <td>1</td> <td>1</td> <td>1</td> <td>1</td> </tr> <tr> <td>Bit No. 2</td> <td>0</td> <td>0</td> <td>1</td> <td>1</td> <td>0</td> <td>0</td> <td>1</td> <td>1</td> </tr> <tr> <td>Bit No. 1</td> <td>0</td> <td>1</td> <td>0</td> <td>1</td> <td>0</td> <td>1</td> <td>0</td> <td>1</td> </tr> </tbody> </table> | Level (dBm)     | -17 | -16 | -15 | -14 | -13 | -12 | -11 | -10       | Bit No. 4 | 0 | 0 | 0 | 0 | 0 | 0 | 0 | 0         | Bit No. 3 | 0 | 0 | 0 | 0 | 1 | 1 | 1 | 1         | Bit No. 2 | 0 | 0 | 1 | 1 | 0 | 0 | 1 | 1 | Bit No. 1 | 0 | 1 | 0 | 1 | 0 | 1 | 0 | 1 | 0 |
| Level (dBm) |  | -17   | -16             | -15 | -14 | -13 | -12 | -11 | -10 |     |           |           |   |   |   |   |   |   |   |           |           |   |   |   |   |   |   |   |           |           |   |   |   |   |   |   |   |   |           |   |   |   |   |   |   |   |   |   |
| Bit No. 4   |  | 0   | 0               | 0   | 0   | 0   | 0   | 0   | 0   |     |           |           |   |   |   |   |   |   |   |           |           |   |   |   |   |   |   |   |           |           |   |   |   |   |   |   |   |   |           |   |   |   |   |   |   |   |   |   |
| Bit No. 3   |  | 0   | 0               | 0   | 0   | 1   | 1   | 1   | 1   |     |           |           |   |   |   |   |   |   |   |           |           |   |   |   |   |   |   |   |           |           |   |   |   |   |   |   |   |   |           |   |   |   |   |   |   |   |   |   |
| Bit No. 2   |  | 0   | 0               | 1   | 1   | 0   | 0   | 1   | 1   |     |           |           |   |   |   |   |   |   |   |           |           |   |   |   |   |   |   |   |           |           |   |   |   |   |   |   |   |   |           |   |   |   |   |   |   |   |   |   |
| Bit No. 1   |  | 0   | 1               | 0   | 1   | 0   | 1   | 0   | 1   |     |           |           |   |   |   |   |   |   |   |           |           |   |   |   |   |   |   |   |           |           |   |   |   |   |   |   |   |   |           |   |   |   |   |   |   |   |   |   |
| 3           |  | <table border="1"> <tbody> <tr> <td>Bit No. 4</td> <td>0</td> <td>0</td> <td>0</td> <td>0</td> <td>1</td> <td>1</td> <td>1</td> <td>1</td> </tr> <tr> <td>Bit No. 3</td> <td>0</td> <td>0</td> <td>0</td> <td>0</td> <td>1</td> <td>1</td> <td>1</td> <td>1</td> </tr> <tr> <td>Bit No. 2</td> <td>0</td> <td>0</td> <td>1</td> <td>1</td> <td>0</td> <td>0</td> <td>1</td> <td>1</td> </tr> <tr> <td>Bit No. 1</td> <td>0</td> <td>1</td> <td>0</td> <td>1</td> <td>0</td> <td>1</td> <td>0</td> <td>1</td> </tr> </tbody> </table>  | Bit No. 4       | 0   | 0   | 0   | 0   | 1   | 1   | 1   | 1         | Bit No. 3 | 0 | 0 | 0 | 0 | 1 | 1 | 1 | 1         | Bit No. 2 | 0 | 0 | 1 | 1 | 0 | 0 | 1 | 1         | Bit No. 1 | 0 | 1 | 0 | 1 | 0 | 1 | 0 | 1 | 1         |   |   |   |   |   |   |   |   |   |
| Bit No. 4   |  | 0   | 0               | 0   | 0   | 1   | 1   | 1   | 1   |     |           |           |   |   |   |   |   |   |   |           |           |   |   |   |   |   |   |   |           |           |   |   |   |   |   |   |   |   |           |   |   |   |   |   |   |   |   |   |
| Bit No. 3   |  | 0   | 0               | 0   | 0   | 1   | 1   | 1   | 1   |     |           |           |   |   |   |   |   |   |   |           |           |   |   |   |   |   |   |   |           |           |   |   |   |   |   |   |   |   |           |   |   |   |   |   |   |   |   |   |
| Bit No. 2   |  | 0   | 0               | 1   | 1   | 0   | 0   | 1   | 1   |     |           |           |   |   |   |   |   |   |   |           |           |   |   |   |   |   |   |   |           |           |   |   |   |   |   |   |   |   |           |   |   |   |   |   |   |   |   |   |
| Bit No. 1   |  | 0   | 1               | 0   | 1   | 0   | 1   | 0   | 1   |     |           |           |   |   |   |   |   |   |   |           |           |   |   |   |   |   |   |   |           |           |   |   |   |   |   |   |   |   |           |   |   |   |   |   |   |   |   |   |
| 5           |  | <table border="1"> <thead> <tr> <th>Level (dBm)</th> <th>-9</th> <th>-8</th> <th>-7</th> <th>-6</th> <th>-5</th> <th>-4</th> <th>-3</th> <th>-2</th> </tr> </thead> <tbody> <tr> <td>Bit No. 4</td> <td>1</td> <td>1</td> <td>1</td> <td>1</td> <td>1</td> <td>1</td> <td>1</td> <td>1</td> </tr> <tr> <td>Bit No. 3</td> <td>0</td> <td>0</td> <td>0</td> <td>0</td> <td>1</td> <td>1</td> <td>1</td> <td>1</td> </tr> <tr> <td>Bit No. 2</td> <td>0</td> <td>0</td> <td>1</td> <td>1</td> <td>0</td> <td>0</td> <td>1</td> <td>1</td> </tr> <tr> <td>Bit No. 1</td> <td>0</td> <td>1</td> <td>0</td> <td>1</td> <td>0</td> <td>1</td> <td>0</td> <td>1</td> </tr> </tbody> </table>         | Level (dBm)     | -9  | -8  | -7  | -6  | -5  | -4  | -3  | -2        | Bit No. 4 | 1 | 1 | 1 | 1 | 1 | 1 | 1 | 1         | Bit No. 3 | 0 | 0 | 0 | 0 | 1 | 1 | 1 | 1         | Bit No. 2 | 0 | 0 | 1 | 1 | 0 | 0 | 1 | 1 | Bit No. 1 | 0 | 1 | 0 | 1 | 0 | 1 | 0 | 1 | 1 |
| Level (dBm) | -9   | -8  | -7              | -6  | -5  | -4  | -3  | -2  |     |     |           |           |   |   |   |   |   |   |   |           |           |   |   |   |   |   |   |   |           |           |   |   |   |   |   |   |   |   |           |   |   |   |   |   |   |   |   |   |
| Bit No. 4   | 1  | 1   | 1               | 1   | 1   | 1   | 1   | 1   |     |     |           |           |   |   |   |   |   |   |   |           |           |   |   |   |   |   |   |   |           |           |   |   |   |   |   |   |   |   |           |   |   |   |   |   |   |   |   |   |
| Bit No. 3   | 0  | 0   | 0               | 0   | 1   | 1   | 1   | 1   |     |     |           |           |   |   |   |   |   |   |   |           |           |   |   |   |   |   |   |   |           |           |   |   |   |   |   |   |   |   |           |   |   |   |   |   |   |   |   |   |
| Bit No. 2   | 0  | 0   | 1               | 1   | 0   | 0   | 1   | 1   |     |     |           |           |   |   |   |   |   |   |   |           |           |   |   |   |   |   |   |   |           |           |   |   |   |   |   |   |   |   |           |   |   |   |   |   |   |   |   |   |
| Bit No. 1   | 0  | 1   | 0               | 1   | 0   | 1   | 0   | 1   |     |     |           |           |   |   |   |   |   |   |   |           |           |   |   |   |   |   |   |   |           |           |   |   |   |   |   |   |   |   |           |   |   |   |   |   |   |   |   |   |
| 1           | <table border="1"> <tbody> <tr> <td>Bit No. 4</td> <td>1</td> <td>1</td> <td>1</td> <td>1</td> <td>1</td> <td>1</td> <td>1</td> <td>1</td> </tr> <tr> <td>Bit No. 3</td> <td>0</td> <td>0</td> <td>0</td> <td>0</td> <td>1</td> <td>1</td> <td>1</td> <td>1</td> </tr> <tr> <td>Bit No. 2</td> <td>0</td> <td>0</td> <td>1</td> <td>1</td> <td>0</td> <td>0</td> <td>1</td> <td>1</td> </tr> <tr> <td>Bit No. 1</td> <td>0</td> <td>1</td> <td>0</td> <td>1</td> <td>0</td> <td>1</td> <td>0</td> <td>1</td> </tr> </tbody> </table> | Bit No. 4   | 1               | 1   | 1   | 1   | 1   | 1   | 1   | 1   | Bit No. 3 | 0         | 0 | 0 | 0 | 1 | 1 | 1 | 1 | Bit No. 2 | 0         | 0 | 1 | 1 | 0 | 0 | 1 | 1 | Bit No. 1 | 0         | 1 | 0 | 1 | 0 | 1 | 0 | 1 | 1 |           |   |   |   |   |   |   |   |   |   |
| Bit No. 4   | 1  | 1   | 1               | 1   | 1   | 1   | 1   | 1   |     |     |           |           |   |   |   |   |   |   |   |           |           |   |   |   |   |   |   |   |           |           |   |   |   |   |   |   |   |   |           |   |   |   |   |   |   |   |   |   |
| Bit No. 3   | 0  | 0   | 0               | 0   | 1   | 1   | 1   | 1   |     |     |           |           |   |   |   |   |   |   |   |           |           |   |   |   |   |   |   |   |           |           |   |   |   |   |   |   |   |   |           |   |   |   |   |   |   |   |   |   |
| Bit No. 2   | 0  | 0   | 1               | 1   | 0   | 0   | 1   | 1   |     |     |           |           |   |   |   |   |   |   |   |           |           |   |   |   |   |   |   |   |           |           |   |   |   |   |   |   |   |   |           |   |   |   |   |   |   |   |   |   |
| Bit No. 1   | 0  | 1   | 0               | 1   | 0   | 1   | 0   | 1   |     |     |           |           |   |   |   |   |   |   |   |           |           |   |   |   |   |   |   |   |           |           |   |   |   |   |   |   |   |   |           |   |   |   |   |   |   |   |   |   |

bizhub C25

ADJUSTMENT / SETTING

**14.3.8 SOFT SWITCH: #08**

| Bit No. | Designation                         | Function  | Initial setting |     |
|---------|-------------------------------------|---|-----------------|-----|
|         |                                     |   | Bit             | HEX |
| 8       | Reserved                            | Reserved  | 0               | 6   |
| 7       | Detect busy tone after dialing      | 0: Not to detect                                      | 1               |     |
|         |                                     | 1: Detect busy tone after dialing                     |                 |     |
| 6       | Sending CED signal after connection | 0: Not to send  | 1               |     |
|         |                                     | 1: Send CED signal before DIS signal after connection |                 |     |
| 5       | Reserved                            | Reserved  | 0               |     |
| 4       |                                     |   | 0               |     |
| 3       |                                     |   | 0               |     |
| 2       |                                     |   | 0               |     |
| 1       |                                     |   | 0               |     |

**14.3.9 SOFT SWITCH: #09**

| Bit No.                     | Designation                                | Function  | Initial setting             |          |            |          |          |           |   |   |   |   |           |   |   |   |   |   |   |
|-----------------------------|--|---|-----------------------------|----------|------------|----------|----------|-----------|---|---|---|---|-----------|---|---|---|---|---|---|
|                             |  |   | Bit                         | HEX      |            |          |          |           |   |   |   |   |           |   |   |   |   |   |   |
| 8                           | Ringer frequency detection                 | <table border="1"> <tr> <td>Ringer frequency range (Hz)</td> <td>10 to 75</td> <td>20 to 57.5</td> <td>20 to 75</td> <td>10 to 75</td> </tr> <tr> <td>Bit No. 8</td> <td>0</td> <td>0</td> <td>1</td> <td>1</td> </tr> <tr> <td>Bit No. 7</td> <td>0</td> <td>1</td> <td>0</td> <td>1</td> </tr> </table> | Ringer frequency range (Hz) | 10 to 75 | 20 to 57.5 | 20 to 75 | 10 to 75 | Bit No. 8 | 0 | 0 | 1 | 1 | Bit No. 7 | 0 | 1 | 0 | 1 | 0 | 0 |
| Ringer frequency range (Hz) |  | 10 to 75  | 20 to 57.5                  | 20 to 75 | 10 to 75   |          |          |           |   |   |   |   |           |   |   |   |   |   |   |
| Bit No. 8                   |  | 0   | 0                           | 1        | 1          |          |          |           |   |   |   |   |           |   |   |   |   |   |   |
| Bit No. 7                   | 0  | 1   | 0                           | 1        |            |          |          |           |   |   |   |   |           |   |   |   |   |   |   |
| 7                           |  | 0   |                             |          |            |          |          |           |   |   |   |   |           |   |   |   |   |   |   |
| 6                           | Reserved                                   | Reserved  | 0                           |          |            |          |          |           |   |   |   |   |           |   |   |   |   |   |   |
| 5                           | TSI/CSI append “+”                         | 0: Not append “+” before send out TSI/CSI<br>1: Automatically insert “+”  | 0                           |          |            |          |          |           |   |   |   |   |           |   |   |   |   |   |   |
| 4                           | Reserved                                   | Reserved  | 0                           | 0        |            |          |          |           |   |   |   |   |           |   |   |   |   |   |   |
| 3                           |  |   | 0                           |          |            |          |          |           |   |   |   |   |           |   |   |   |   |   |   |
| 2                           | Time from RX DIS signal to send DCS signal | <table border="1"> <tr> <td>Description</td> <td>70 ms</td> <td>120 ms</td> <td>180 ms</td> <td>240 ms</td> </tr> <tr> <td>Bit No. 2</td> <td>0</td> <td>0</td> <td>1</td> <td>1</td> </tr> <tr> <td>Bit No. 1</td> <td>0</td> <td>1</td> <td>0</td> <td>1</td> </tr> </table>                            | Description                 | 70 ms    | 120 ms     | 180 ms   | 240 ms   | Bit No. 2 | 0 | 0 | 1 | 1 | Bit No. 1 | 0 | 1 | 0 | 1 | 0 | 0 |
| Description                 |  | 70 ms   | 120 ms                      | 180 ms   | 240 ms     |          |          |           |   |   |   |   |           |   |   |   |   |   |   |
| Bit No. 2                   | 0  | 0   | 1                           | 1        |            |          |          |           |   |   |   |   |           |   |   |   |   |   |   |
| Bit No. 1                   | 0  | 1   | 0                           | 1        |            |          |          |           |   |   |   |   |           |   |   |   |   |   |   |
| 1                           |  | 0   |                             |          |            |          |          |           |   |   |   |   |           |   |   |   |   |   |   |

- Bit 5: This bit set to “1”, the “+” character will put in the first position on CSI and TSI command.

bizhub C25

ADJUSTMENT / SETTING

**14.3.10 SOFT SWITCH: #10**

| Bit No.    | Designation                               | Function   | Initial setting |     |     |     |     |     |           |   |   |   |   |           |   |   |   |   |   |
|------------|---|--|-----------------|-----|-----|-----|-----|-----|-----------|---|---|---|---|-----------|---|---|---|---|---|
|            |   |  | Bit             | HEX |     |     |     |     |           |   |   |   |   |           |   |   |   |   |   |
| 8          | Print out RTN page report                 | 0: Not to print  | 1               | A   |     |     |     |     |           |   |   |   |   |           |   |   |   |   |   |
|            |   | 1: Print out RTN page report after transaction for TX/RX RTN signal  |                 |     |     |     |     |     |           |   |   |   |   |           |   |   |   |   |   |
| 7          | Confirmation report result field          | 0: Print "OK"  | 0               |     |     |     |     |     |           |   |   |   |   |           |   |   |   |   |   |
|            |   | 1: Print "NG" in case of sending or receiving RTN signal   |                 |     |     |     |     |     |           |   |   |   |   |           |   |   |   |   |   |
| 6          | Get gap time between digit for pulse dial | <table border="1"> <tr> <td>Value (ms)</td> <td>550</td> <td>650</td> <td>750</td> <td>850</td> </tr> <tr> <td>Bit No. 6</td> <td>0</td> <td>0</td> <td>1</td> <td>1</td> </tr> <tr> <td>Bit No. 5</td> <td>0</td> <td>1</td> <td>0</td> <td>1</td> </tr> </table> | Value (ms)      |     | 550 | 650 | 750 | 850 | Bit No. 6 | 0 | 0 | 1 | 1 | Bit No. 5 | 0 | 1 | 0 | 1 | 1 |
| Value (ms) |   | 550  | 650             |     | 750 | 850 |     |     |           |   |   |   |   |           |   |   |   |   |   |
| Bit No. 6  |   | 0  | 0               |     | 1   | 1   |     |     |           |   |   |   |   |           |   |   |   |   |   |
| Bit No. 5  | 0   | 1  | 0               |     | 1   |     |     |     |           |   |   |   |   |           |   |   |   |   |   |
| 5          |   |  | 0               |     |     |     |     |     |           |   |   |   |   |           |   |   |   |   |   |
| 4          | Reserved                                  | Reserved   | 0               |     |     |     |     |     |           |   |   |   |   |           |   |   |   |   |   |
| 3          | Received DIS signal within reception      | 0: Repeat sending DIS/DTC again until time out   | 0               |     |     |     |     |     |           |   |   |   |   |           |   |   |   |   |   |
|            |   | 1: Disconnected after sending DCN signal   |                 |     |     |     |     |     |           |   |   |   |   |           |   |   |   |   |   |
| 2          | Transmission time limitation              | 0: No any limitation until document jam  | 0               |     |     |     |     |     |           |   |   |   |   |           |   |   |   |   |   |
|            |   | 1: Limit to 32 minutes from data phase   |                 |     |     |     |     |     |           |   |   |   |   |           |   |   |   |   |   |
| 1          | Audio alarm after communication fail      | 0: Not to alarm after transaction fail   | 1               |     |     |     |     |     |           |   |   |   |   |           |   |   |   |   |   |
|            |   | 1: Alarm after disconnected  |                 |     |     |     |     |     |           |   |   |   |   |           |   |   |   |   |   |

- Bit 8: If this bit set to 1, machine will print out confirmation report after each transaction.
- Bit 7: If this bit set to 1, the result field will show "NG" instead of "OK" in the confirmation report and activity report or checking the result on the LCD.
- Bit 2: This for manual TX only.

bizhub C25

ADJUSTMENT / SETTING

**14.3.11 SOFT SWITCH: #11**

| Bit No. | Designation                           | Function   | Initial setting |     |
|---------|---------------------------------------|--|-----------------|-----|
|         |                                       |  | Bit             | HEX |
| 8       | Reserved                              | Reserved   | 0               | 2   |
| 7       | Detect dial tone after pre-fix number | 0: No  | 0               |     |
|         |                                       | 1: Yes   |                 |     |
| 6       | Pulse dial allowed to select          | 0: Yes   | 1               |     |
|         |                                       | 1: Not allowed                                     |                 |     |
| 5       | Protocol signal display mode          | 0: Not to display                                  | 0               |     |
|         |                                       | 1: Display V8 or T30 command within communication. |                 |     |
| 4       | Reserved                              | Reserved   | 0               | 0   |
| 3       |                                       |  | 0               |     |
| 2       | USB port number fixed                 | 0: OFF   | 0               |     |
|         |                                       | 1: ON  |                 |     |
| 1       | DTMF low frequency compensation       | 0: Base on SW23 (1 to 4)                           | 0               |     |
|         |                                       | 1: High 0.5 dB                                     |                 |     |

- Bit 6: If this bit set to 1, not allowed user to select pulse dial, and this function open serviceman to change.
- Bit 5: Bit set to 1, LCD will show the command between each party, the detail specification see service mode specification.

bizhub C25

ADJUSTMENT / SETTING

**14.3.12 SOFT SWITCH: #12**

| Bit No.          | Designation                              | Function  | Initial setting  |     |     |    |    |     |           |   |   |   |   |           |   |   |   |   |   |
|------------------|--|---|------------------|-----|-----|----|----|-----|-----------|---|---|---|---|-----------|---|---|---|---|---|
|                  |  |   | Bit              | HEX |     |    |    |     |           |   |   |   |   |           |   |   |   |   |   |
| 8                | ECM mode capability                      | 0: No - Also disable V.34 modem capability<br>1: Yes  | 1                | 8   |     |    |    |     |           |   |   |   |   |           |   |   |   |   |   |
| 7                | V.34 fall back counter for V.34 TX       | <table border="1"> <tr> <td>Counter</td> <td>1</td> <td>2</td> <td>3</td> <td>4</td> </tr> <tr> <td>Bit No. 7</td> <td>0</td> <td>0</td> <td>1</td> <td>1</td> </tr> <tr> <td>Bit No. 6</td> <td>0</td> <td>1</td> <td>0</td> <td>1</td> </tr> </table>               | Counter          |     | 1   | 2  | 3  | 4   | Bit No. 7 | 0 | 0 | 1 | 1 | Bit No. 6 | 0 | 1 | 0 | 1 | 0 |
| Counter          |  | 1   | 2                |     | 3   | 4  |    |     |           |   |   |   |   |           |   |   |   |   |   |
| Bit No. 7        | 0  | 0   | 1                |     | 1   |    |    |     |           |   |   |   |   |           |   |   |   |   |   |
| Bit No. 6        | 0  | 1   | 0                | 1   |     |    |    |     |           |   |   |   |   |           |   |   |   |   |   |
| 6                |  |   | 0                |     |     |    |    |     |           |   |   |   |   |           |   |   |   |   |   |
| 5                | Send CTC after 4th PPR                   | 0: Send CTC (Continue To Correct)<br>1: Send EOR (End Of Transmission)  | 0                | 0   |     |    |    |     |           |   |   |   |   |           |   |   |   |   |   |
| 4                | Reserved                                 | Reserved  | 0                |     |     |    |    |     |           |   |   |   |   |           |   |   |   |   |   |
| 3                | Send EOR after lowest speed              | 0: Send DCN (Re-dial)<br>1: Send EOR_xxx [Germany PTT]  | 0                |     |     |    |    |     |           |   |   |   |   |           |   |   |   |   |   |
| 2                | TCF transmission timing after DCS signal | <table border="1"> <tr> <td>Description (ms)</td> <td>70</td> <td>80</td> <td>90</td> <td>100</td> </tr> <tr> <td>Bit No. 2</td> <td>0</td> <td>0</td> <td>1</td> <td>1</td> </tr> <tr> <td>Bit No. 1</td> <td>0</td> <td>1</td> <td>0</td> <td>1</td> </tr> </table> | Description (ms) |     | 70  | 80 | 90 | 100 | Bit No. 2 | 0 | 0 | 1 | 1 | Bit No. 1 | 0 | 1 | 0 | 1 | 0 |
| Description (ms) |  | 70  | 80               | 90  | 100 |    |    |     |           |   |   |   |   |           |   |   |   |   |   |
| Bit No. 2        | 0  | 0   | 1                | 1   |     |    |    |     |           |   |   |   |   |           |   |   |   |   |   |
| Bit No. 1        | 0  | 1   | 0                | 1   |     |    |    |     |           |   |   |   |   |           |   |   |   |   |   |
| 1                |  |   | 0                |     |     |    |    |     |           |   |   |   |   |           |   |   |   |   |   |

- Bit 7-6: If counter equal "1", machine will down to next lower speed for next data phase.
- Bit 2-1: Delay time from FSK mode to PSK mode, this use for G3 mode only, V.34 do not need this setting.

**14.3.13 SOFT SWITCH: #13**

| Bit No.           | Designation  | Function  | Initial setting   |     |     |     |     |     |           |   |   |   |   |           |   |   |   |   |   |
|-------------------|--|---|-------------------|-----|-----|-----|-----|-----|-----------|---|---|---|---|-----------|---|---|---|---|---|
|                   |  |   | Bit               | HEX |     |     |     |     |           |   |   |   |   |           |   |   |   |   |   |
| 8                 | MR capability for G3   | 0: Yes<br>1: No   | 0                 | 1   |     |     |     |     |           |   |   |   |   |           |   |   |   |   |   |
| 7                 | Delay time between transaction   | <table border="1"> <thead> <tr> <th>Description (sec)</th> <th>20</th> <th>60</th> <th>120</th> <th>240</th> </tr> </thead> <tbody> <tr> <td>Bit No. 7</td> <td>0</td> <td>0</td> <td>1</td> <td>1</td> </tr> <tr> <td>Bit No. 6</td> <td>0</td> <td>1</td> <td>0</td> <td>1</td> </tr> </tbody> </table> | Description (sec) |     | 20  | 60  | 120 | 240 | Bit No. 7 | 0 | 0 | 1 | 1 | Bit No. 6 | 0 | 1 | 0 | 1 | 0 |
| Description (sec) |  | 20  | 60                |     | 120 | 240 |     |     |           |   |   |   |   |           |   |   |   |   |   |
| Bit No. 7         | 0  | 0   | 1                 |     | 1   |     |     |     |           |   |   |   |   |           |   |   |   |   |   |
| Bit No. 6         | 0  | 1   | 0                 |     | 1   |     |     |     |           |   |   |   |   |           |   |   |   |   |   |
| 6                 |  |   | 0                 |     |     |     |     |     |           |   |   |   |   |           |   |   |   |   |   |
| 5                 | Super fine printing capability for receiving                           | 0: No<br>1: Yes   | 1                 |     |     |     |     |     |           |   |   |   |   |           |   |   |   |   |   |
| 4                 | Reserved   | Reserved  | 0                 |     |     |     |     |     |           |   |   |   |   |           |   |   |   |   |   |
| 3                 | DTS mode   | 0: No<br>1: Yes   | 0                 |     |     |     |     |     |           |   |   |   |   |           |   |   |   |   |   |
| 2                 | Send DTC signal if RX DIS signal in manual RX mode (no function on G4) | 0: Yes<br>1: No - Send DIS again  | 0                 | 0   |     |     |     |     |           |   |   |   |   |           |   |   |   |   |   |
| 1                 | Reserved   | Reserved  | 0                 |     |     |     |     |     |           |   |   |   |   |           |   |   |   |   |   |

- Bit 7-6: If set to 1, the time between each transaction will become longer, in this case machine will wait more time before start to dial next transaction.

**14.3.14 SOFT SWITCH: #14**

| Bit No.     | Designation                                       | Function   | Initial setting |     |       |            |       |            |           |     |     |           |   |           |   |   |   |   |   |   |           |   |   |   |   |   |   |   |   |           |   |   |   |   |   |   |   |   |   |
|-------------|---|--|-----------------|-----|-------|------------|-------|------------|-----------|-----|-----|-----------|---|-----------|---|---|---|---|---|---|-----------|---|---|---|---|---|---|---|---|-----------|---|---|---|---|---|---|---|---|---|
|             |   |  | Bit             | HEX |       |            |       |            |           |     |     |           |   |           |   |   |   |   |   |   |           |   |   |   |   |   |   |   |   |           |   |   |   |   |   |   |   |   |   |
| 8           | Reserved  | Reserved   | 0               | 1   |       |            |       |            |           |     |     |           |   |           |   |   |   |   |   |   |           |   |   |   |   |   |   |   |   |           |   |   |   |   |   |   |   |   |   |
| 7           |   |  | 0               |     |       |            |       |            |           |     |     |           |   |           |   |   |   |   |   |   |           |   |   |   |   |   |   |   |   |           |   |   |   |   |   |   |   |   |   |
| 6           | Memory size level to RX                           | 0: Base on system configuration<br>1: Up to 128 KB   | 0               |     |       |            |       |            |           |     |     |           |   |           |   |   |   |   |   |   |           |   |   |   |   |   |   |   |   |           |   |   |   |   |   |   |   |   |   |
| 5           | Impedance   | <table border="1"> <thead> <tr> <th>Description</th> <th>600 Ω</th> <th>Complex</th> <th>540 Ω</th> <th>(Reserved)</th> </tr> </thead> <tbody> <tr> <td>Bit No. 5</td> <td>0</td> <td>0</td> <td>1</td> <td>1</td> </tr> <tr> <td>Bit No. 4</td> <td>0</td> <td>1</td> <td>0</td> <td>1</td> </tr> </tbody> </table>   | Description     |     | 600 Ω | Complex    | 540 Ω | (Reserved) | Bit No. 5 | 0   | 0   | 1         | 1 | Bit No. 4 | 0 | 1 | 0 | 1 | 1 |   |           |   |   |   |   |   |   |   |   |           |   |   |   |   |   |   |   |   |   |
| Description |   | 600 Ω  | Complex         |     | 540 Ω | (Reserved) |       |            |           |     |     |           |   |           |   |   |   |   |   |   |           |   |   |   |   |   |   |   |   |           |   |   |   |   |   |   |   |   |   |
| Bit No. 5   | 0   | 0  | 1               |     | 1     |            |       |            |           |     |     |           |   |           |   |   |   |   |   |   |           |   |   |   |   |   |   |   |   |           |   |   |   |   |   |   |   |   |   |
| Bit No. 4   | 0   | 1  | 0               |     | 1     |            |       |            |           |     |     |           |   |           |   |   |   |   |   |   |           |   |   |   |   |   |   |   |   |           |   |   |   |   |   |   |   |   |   |
| 4           |   |  | 0               |     |       |            |       |            |           |     |     |           |   |           |   |   |   |   |   |   |           |   |   |   |   |   |   |   |   |           |   |   |   |   |   |   |   |   |   |
| 3           | Time between V.34 ANSam signal and FSK DIS signal | <table border="1"> <thead> <tr> <th>Timer (ms)</th> <th>430</th> <th>440</th> <th>450</th> <th>460</th> <th>470</th> <th>480</th> <th>490</th> <th>500</th> </tr> </thead> <tbody> <tr> <td>Bit No. 3</td> <td>0</td> <td>0</td> <td>0</td> <td>0</td> <td>1</td> <td>1</td> <td>1</td> <td>1</td> </tr> <tr> <td>Bit No. 2</td> <td>0</td> <td>0</td> <td>1</td> <td>1</td> <td>0</td> <td>0</td> <td>1</td> <td>1</td> </tr> <tr> <td>Bit No. 1</td> <td>0</td> <td>1</td> <td>0</td> <td>1</td> <td>0</td> <td>1</td> <td>0</td> <td>1</td> </tr> </tbody> </table> | Timer (ms)      | 430 | 440   | 450        | 460   | 470        | 480       | 490 | 500 | Bit No. 3 | 0 | 0         | 0 | 0 | 1 | 1 | 1 | 1 | Bit No. 2 | 0 | 0 | 1 | 1 | 0 | 0 | 1 | 1 | Bit No. 1 | 0 | 1 | 0 | 1 | 0 | 1 | 0 | 1 | 0 |
| Timer (ms)  |   | 430  | 440             | 450 | 460   | 470        | 480   | 490        | 500       |     |     |           |   |           |   |   |   |   |   |   |           |   |   |   |   |   |   |   |   |           |   |   |   |   |   |   |   |   |   |
| Bit No. 3   |   | 0  | 0               | 0   | 0     | 1          | 1     | 1          | 1         |     |     |           |   |           |   |   |   |   |   |   |           |   |   |   |   |   |   |   |   |           |   |   |   |   |   |   |   |   |   |
| Bit No. 2   | 0   | 0  | 1               | 1   | 0     | 0          | 1     | 1          |           |     |     |           |   |           |   |   |   |   |   |   |           |   |   |   |   |   |   |   |   |           |   |   |   |   |   |   |   |   |   |
| Bit No. 1   | 0   | 1  | 0               | 1   | 0     | 1          | 0     | 1          |           |     |     |           |   |           |   |   |   |   |   |   |           |   |   |   |   |   |   |   |   |           |   |   |   |   |   |   |   |   |   |
| 2           |   |  | 1               | 2   |       |            |       |            |           |     |     |           |   |           |   |   |   |   |   |   |           |   |   |   |   |   |   |   |   |           |   |   |   |   |   |   |   |   |   |
| 1           |   |  | 0               |     |       |            |       |            |           |     |     |           |   |           |   |   |   |   |   |   |           |   |   |   |   |   |   |   |   |           |   |   |   |   |   |   |   |   |   |

- Bit 6: If set to 1, machine will become manual RX mode if available memory size less than 128 K.

**14.3.15 SOFT SWITCH: #15**

| Bit No. | Designation | Function | Initial setting |     |
|---------|-------------|----------|-----------------|-----|
|         |             |          | Bit             | HEX |
| 8       | Reserved    | Reserved | 0               | 0   |
| 7       |             |          | 0               |     |
| 6       |             |          | 0               |     |
| 5       |             |          | 0               |     |
| 4       |             |          | 0               | 0   |
| 3       |             |          | 0               |     |
| 2       |             |          | 0               |     |
| 1       |             |          | 0               |     |

**14.3.16 SOFT SWITCH: #16**

| Bit No.       | Designation                     | Function   | Initial setting |     |      |    |      |           |   |   |   |   |           |   |   |   |   |   |
|---------------|---------------------------------|--|-----------------|-----|------|----|------|-----------|---|---|---|---|-----------|---|---|---|---|---|
|               |                                 |  | Bit             | HEX |      |    |      |           |   |   |   |   |           |   |   |   |   |   |
| 8             | Reserved                        | Reserved   | 0               | 0   |      |    |      |           |   |   |   |   |           |   |   |   |   |   |
| 7             |                                 |  | 0               |     |      |    |      |           |   |   |   |   |           |   |   |   |   |   |
| 6             |                                 |  | 0               |     |      |    |      |           |   |   |   |   |           |   |   |   |   |   |
| 5             |                                 |  | 0               | 3   |      |    |      |           |   |   |   |   |           |   |   |   |   |   |
| 4             |                                 |  | 0               |     |      |    |      |           |   |   |   |   |           |   |   |   |   |   |
| 3             |                                 |  | 0               |     |      |    |      |           |   |   |   |   |           |   |   |   |   |   |
| 2             | Fax communication coding method | <table border="1"> <tr> <th>Coding method</th> <th>MMR</th> <th>MR</th> <th>MH</th> <th>JBIG</th> </tr> <tr> <td>Bit No. 2</td> <td>0</td> <td>0</td> <td>1</td> <td>1</td> </tr> <tr> <td>Bit No. 1</td> <td>0</td> <td>1</td> <td>0</td> <td>1</td> </tr> </table> | Coding method   | MMR | MR   | MH | JBIG | Bit No. 2 | 0 | 0 | 1 | 1 | Bit No. 1 | 0 | 1 | 0 | 1 | 1 |
| Coding method |                                 | MMR  | MR              | MH  | JBIG |    |      |           |   |   |   |   |           |   |   |   |   |   |
| Bit No. 2     |                                 | 0  | 0               | 1   | 1    |    |      |           |   |   |   |   |           |   |   |   |   |   |
| Bit No. 1     | 0                               | 1  | 0               | 1   |      |    |      |           |   |   |   |   |           |   |   |   |   |   |
| 1             | 1                               | 1  |                 |     |      |    |      |           |   |   |   |   |           |   |   |   |   |   |

bizhub C25

ADJUSTMENT / SETTING



14.3.17 SOFT SWITCH: #17

| Bit No.     | Designation                           | Function  | Initial setting |             |                      |             |             |           |           |   |   |   |           |           |   |   |   |           |           |   |   |   |   |   |
|-------------|---------------------------------------|---|-----------------|-------------|----------------------|-------------|-------------|-----------|-----------|---|---|---|-----------|-----------|---|---|---|-----------|-----------|---|---|---|---|---|
|             |                                       |   | Bit             | HEX         |                      |             |             |           |           |   |   |   |           |           |   |   |   |           |           |   |   |   |   |   |
| 8           | Reserved                              | Reserved  | 0               | 0           |                      |             |             |           |           |   |   |   |           |           |   |   |   |           |           |   |   |   |   |   |
| 7           |                                       |   | 0               |             |                      |             |             |           |           |   |   |   |           |           |   |   |   |           |           |   |   |   |   |   |
| 6           | CED frequency                         | 0: 2100 Hz  | 0               |             |                      |             |             |           |           |   |   |   |           |           |   |   |   |           |           |   |   |   |   |   |
|             |                                       | 1: 1100 Hz  |                 |             |                      |             |             |           |           |   |   |   |           |           |   |   |   |           |           |   |   |   |   |   |
| 5           | Pause between off hook and CED signal | <table border="1"> <thead> <tr> <th>Time (T)</th> <th>T=1.8 sec to 2.5 sec</th> <th>T+ 100 ms</th> <th>T+ 200 ms</th> <th>T+ 300 ms</th> </tr> </thead> <tbody> <tr> <td>Bit No. 5</td> <td>0</td> <td>0</td> <td>0</td> <td>0</td> </tr> <tr> <td>Bit No. 4</td> <td>0</td> <td>0</td> <td>1</td> <td>1</td> </tr> <tr> <td>Bit No. 3</td> <td>0</td> <td>1</td> <td>0</td> <td>1</td> </tr> </tbody> </table> | Time (T)        |             | T=1.8 sec to 2.5 sec | T+ 100 ms   | T+ 200 ms   | T+ 300 ms | Bit No. 5 | 0 | 0 | 0 | 0         | Bit No. 4 | 0 | 0 | 1 | 1         | Bit No. 3 | 0 | 1 | 0 | 1 | 0 |
| Time (T)    |                                       | T=1.8 sec to 2.5 sec  | T+ 100 ms       |             | T+ 200 ms            | T+ 300 ms   |             |           |           |   |   |   |           |           |   |   |   |           |           |   |   |   |   |   |
| Bit No. 5   |                                       | 0   | 0               |             | 0                    | 0           |             |           |           |   |   |   |           |           |   |   |   |           |           |   |   |   |   |   |
| Bit No. 4   |                                       | 0   | 0               |             | 1                    | 1           |             |           |           |   |   |   |           |           |   |   |   |           |           |   |   |   |   |   |
| Bit No. 3   |                                       | 0   | 1               | 0           | 1                    |             |             |           |           |   |   |   |           |           |   |   |   |           |           |   |   |   |   |   |
| 4           |                                       |   |                 | 0           |                      |             |             |           |           |   |   |   |           |           |   |   |   |           |           |   |   |   |   |   |
| 3           |                                       | <table border="1"> <thead> <tr> <th>Time (T)</th> <th>T+ 400 ms</th> <th>T+ 500 ms</th> <th>T+ 600 ms</th> <th>T+ 700 ms</th> </tr> </thead> <tbody> <tr> <td>Bit No. 5</td> <td>1</td> <td>1</td> <td>1</td> <td>1</td> </tr> <tr> <td>Bit No. 4</td> <td>0</td> <td>0</td> <td>1</td> <td>1</td> </tr> <tr> <td>Bit No. 3</td> <td>0</td> <td>1</td> <td>0</td> <td>1</td> </tr> </tbody> </table>            | Time (T)        | T+ 400 ms   | T+ 500 ms            | T+ 600 ms   | T+ 700 ms   | Bit No. 5 | 1         | 1 | 1 | 1 | Bit No. 4 | 0         | 0 | 1 | 1 | Bit No. 3 | 0         | 1 | 0 | 1 | 0 |   |
|             |                                       | Time (T)  | T+ 400 ms       | T+ 500 ms   | T+ 600 ms            | T+ 700 ms   |             |           |           |   |   |   |           |           |   |   |   |           |           |   |   |   |   |   |
|             |                                       | Bit No. 5   | 1               | 1           | 1                    | 1           |             |           |           |   |   |   |           |           |   |   |   |           |           |   |   |   |   |   |
|             |                                       | Bit No. 4   | 0               | 0           | 1                    | 1           |             |           |           |   |   |   |           |           |   |   |   |           |           |   |   |   |   |   |
| Bit No. 3   | 0                                     | 1   | 0               | 1           |                      |             |             |           |           |   |   |   |           |           |   |   |   |           |           |   |   |   |   |   |
|             |                                       |   | 0               |             |                      |             |             |           |           |   |   |   |           |           |   |   |   |           |           |   |   |   |   |   |
|             |                                       |   | 0               |             |                      |             |             |           |           |   |   |   |           |           |   |   |   |           |           |   |   |   |   |   |
|             |                                       |   | 0               |             |                      |             |             |           |           |   |   |   |           |           |   |   |   |           |           |   |   |   |   |   |
| 2           | Inactivity timer [T5]                 | <table border="1"> <thead> <tr> <th>Description</th> <th>T5</th> <th>T5 + 20 sec</th> <th>T5 + 40 sec</th> <th>T5 + 60 sec</th> </tr> </thead> <tbody> <tr> <td>Bit No. 2</td> <td>0</td> <td>0</td> <td>1</td> <td>1</td> </tr> <tr> <td>Bit No. 1</td> <td>0</td> <td>1</td> <td>0</td> <td>1</td> </tr> </tbody> </table>  | Description     | T5          | T5 + 20 sec          | T5 + 40 sec | T5 + 60 sec | Bit No. 2 | 0         | 0 | 1 | 1 | Bit No. 1 | 0         | 1 | 0 | 1 | 0         |           |   |   |   |   |   |
| Description |                                       | T5  | T5 + 20 sec     | T5 + 40 sec | T5 + 60 sec          |             |             |           |           |   |   |   |           |           |   |   |   |           |           |   |   |   |   |   |
| Bit No. 2   |                                       | 0   | 0               | 1           | 1                    |             |             |           |           |   |   |   |           |           |   |   |   |           |           |   |   |   |   |   |
| Bit No. 1   | 0                                     | 1   | 0               | 1           |                      |             |             |           |           |   |   |   |           |           |   |   |   |           |           |   |   |   |   |   |
| 1           |                                       |   | 0               |             |                      |             |             |           |           |   |   |   |           |           |   |   |   |           |           |   |   |   |   |   |

- T5: 60 ± 5 sec. in ITU-T standard

bizhub C25

ADJUSTMENT / SETTING

**14.3.18 SOFT SWITCH: #18**

| Bit No.    | Designation                       | Function   | Initial setting |          |        |        |        |        |           |   |    |   |   |           |           |   |   |   |   |   |           |   |   |   |   |           |           |   |   |   |   |   |   |   |   |   |           |   |   |   |   |   |   |   |   |   |   |           |   |   |   |   |   |   |   |   |   |   |
|------------|-----------------------------------|--|-----------------|----------|--------|--------|--------|--------|-----------|---|----|---|---|-----------|-----------|---|---|---|---|---|-----------|---|---|---|---|-----------|-----------|---|---|---|---|---|---|---|---|---|-----------|---|---|---|---|---|---|---|---|---|---|-----------|---|---|---|---|---|---|---|---|---|---|
|            |                                   |  | Bit             | HEX      |        |        |        |        |           |   |    |   |   |           |           |   |   |   |   |   |           |   |   |   |   |           |           |   |   |   |   |   |   |   |   |   |           |   |   |   |   |   |   |   |   |   |   |           |   |   |   |   |   |   |   |   |   |   |
| 8          | Reserved                          | Reserved   | 0               | 0        |        |        |        |        |           |   |    |   |   |           |           |   |   |   |   |   |           |   |   |   |   |           |           |   |   |   |   |   |   |   |   |   |           |   |   |   |   |   |   |   |   |   |   |           |   |   |   |   |   |   |   |   |   |   |
| 7          |                                   |  | 0               |          |        |        |        |        |           |   |    |   |   |           |           |   |   |   |   |   |           |   |   |   |   |           |           |   |   |   |   |   |   |   |   |   |           |   |   |   |   |   |   |   |   |   |   |           |   |   |   |   |   |   |   |   |   |   |
| 6          | G3 mode training quality level    | <table border="1"> <thead> <tr> <th>Definition</th> <th>Level1</th> <th>Level2</th> <th>Level3</th> <th>Level4</th> </tr> </thead> <tbody> <tr> <td>Bit No. 6</td> <td>0</td> <td>0</td> <td>1</td> <td>1</td> </tr> <tr> <td>Bit No. 5</td> <td>0</td> <td>1</td> <td>0</td> <td>1</td> </tr> </tbody> </table>   | Definition      |          | Level1 | Level2 | Level3 | Level4 | Bit No. 6 | 0 | 0  | 1 | 1 | Bit No. 5 | 0         | 1 | 0 | 1 | 0 |   |           |   |   |   |   |           |           |   |   |   |   |   |   |   |   |   |           |   |   |   |   |   |   |   |   |   |   |           |   |   |   |   |   |   |   |   |   |   |
| Definition |                                   | Level1   | Level2          |          | Level3 | Level4 |        |        |           |   |    |   |   |           |           |   |   |   |   |   |           |   |   |   |   |           |           |   |   |   |   |   |   |   |   |   |           |   |   |   |   |   |   |   |   |   |   |           |   |   |   |   |   |   |   |   |   |   |
| Bit No. 6  |                                   | 0  | 0               |          | 1      | 1      |        |        |           |   |    |   |   |           |           |   |   |   |   |   |           |   |   |   |   |           |           |   |   |   |   |   |   |   |   |   |           |   |   |   |   |   |   |   |   |   |   |           |   |   |   |   |   |   |   |   |   |   |
| Bit No. 5  | 0                                 | 1  | 0               |          | 1      |        |        |        |           |   |    |   |   |           |           |   |   |   |   |   |           |   |   |   |   |           |           |   |   |   |   |   |   |   |   |   |           |   |   |   |   |   |   |   |   |   |   |           |   |   |   |   |   |   |   |   |   |   |
| 5          | 0                                 |  |                 |          |        |        |        |        |           |   |    |   |   |           |           |   |   |   |   |   |           |   |   |   |   |           |           |   |   |   |   |   |   |   |   |   |           |   |   |   |   |   |   |   |   |   |   |           |   |   |   |   |   |   |   |   |   |   |
| 4          | Redefine re-dial attempts counter | <table border="1"> <thead> <tr> <th>Counter</th> <th>1</th> <th>2</th> <th>3</th> <th>4</th> <th>5</th> <th>6</th> <th>7</th> <th>8</th> <th>9</th> <th>10</th> </tr> </thead> <tbody> <tr> <td>Bit No. 4</td> <td>0</td> <td>0</td> <td>0</td> <td>0</td> <td>0</td> <td>0</td> <td>0</td> <td>1</td> <td>1</td> <td>1</td> </tr> <tr> <td>Bit No. 3</td> <td>0</td> <td>0</td> <td>0</td> <td>1</td> <td>1</td> <td>1</td> <td>1</td> <td>0</td> <td>0</td> <td>0</td> </tr> <tr> <td>Bit No. 2</td> <td>0</td> <td>1</td> <td>1</td> <td>0</td> <td>0</td> <td>1</td> <td>1</td> <td>0</td> <td>0</td> <td>1</td> </tr> <tr> <td>Bit No. 1</td> <td>1</td> <td>0</td> <td>1</td> <td>0</td> <td>1</td> <td>0</td> <td>1</td> <td>0</td> <td>1</td> <td>0</td> </tr> </tbody> </table> | Counter         |          | 1      | 2      | 3      | 4      | 5         | 6 | 7  | 8 | 9 | 10        | Bit No. 4 | 0 | 0 | 0 | 0 | 0 | 0         | 0 | 1 | 1 | 1 | Bit No. 3 | 0         | 0 | 0 | 1 | 1 | 1 | 1 | 0 | 0 | 0 | Bit No. 2 | 0 | 1 | 1 | 0 | 0 | 1 | 1 | 0 | 0 | 1 | Bit No. 1 | 1 | 0 | 1 | 0 | 1 | 0 | 1 | 0 | 1 | 0 |
| Counter    |                                   | 1  | 2               | 3        | 4      | 5      | 6      | 7      | 8         | 9 | 10 |   |   |           |           |   |   |   |   |   |           |   |   |   |   |           |           |   |   |   |   |   |   |   |   |   |           |   |   |   |   |   |   |   |   |   |   |           |   |   |   |   |   |   |   |   |   |   |
| Bit No. 4  |                                   | 0  | 0               | 0        | 0      | 0      | 0      | 0      | 1         | 1 | 1  |   |   |           |           |   |   |   |   |   |           |   |   |   |   |           |           |   |   |   |   |   |   |   |   |   |           |   |   |   |   |   |   |   |   |   |   |           |   |   |   |   |   |   |   |   |   |   |
| Bit No. 3  |                                   | 0  | 0               | 0        | 1      | 1      | 1      | 1      | 0         | 0 | 0  |   |   |           |           |   |   |   |   |   |           |   |   |   |   |           |           |   |   |   |   |   |   |   |   |   |           |   |   |   |   |   |   |   |   |   |   |           |   |   |   |   |   |   |   |   |   |   |
| Bit No. 2  |                                   | 0  | 1               | 1        | 0      | 0      | 1      | 1      | 0         | 0 | 1  |   |   |           |           |   |   |   |   |   |           |   |   |   |   |           |           |   |   |   |   |   |   |   |   |   |           |   |   |   |   |   |   |   |   |   |   |           |   |   |   |   |   |   |   |   |   |   |
| Bit No. 1  | 1                                 | 0  | 1               | 0        | 1      | 0      | 1      | 0      | 1         | 0 |    |   |   |           |           |   |   |   |   |   |           |   |   |   |   |           |           |   |   |   |   |   |   |   |   |   |           |   |   |   |   |   |   |   |   |   |   |           |   |   |   |   |   |   |   |   |   |   |
| 3          | 0                                 |  |                 |          |        |        |        |        |           |   |    |   |   |           |           |   |   |   |   |   |           |   |   |   |   |           |           |   |   |   |   |   |   |   |   |   |           |   |   |   |   |   |   |   |   |   |   |           |   |   |   |   |   |   |   |   |   |   |
| 2          | 0                                 |  |                 |          |        |        |        |        |           |   |    |   |   |           |           |   |   |   |   |   |           |   |   |   |   |           |           |   |   |   |   |   |   |   |   |   |           |   |   |   |   |   |   |   |   |   |   |           |   |   |   |   |   |   |   |   |   |   |
| 1          | 1                                 | <table border="1"> <thead> <tr> <th>Counter</th> <th colspan="5">Reserved</th> </tr> </thead> <tbody> <tr> <td>Bit No. 4</td> <td>1</td> <td>1</td> <td>1</td> <td>1</td> <td>1</td> </tr> <tr> <td>Bit No. 3</td> <td>0</td> <td>1</td> <td>1</td> <td>1</td> <td>1</td> </tr> <tr> <td>Bit No. 2</td> <td>1</td> <td>0</td> <td>0</td> <td>1</td> <td>1</td> </tr> <tr> <td>Bit No. 1</td> <td>1</td> <td>0</td> <td>1</td> <td>0</td> <td>1</td> </tr> </tbody> </table>  | Counter         | Reserved |        |        |        |        | Bit No. 4 | 1 | 1  | 1 | 1 | 1         | Bit No. 3 | 0 | 1 | 1 | 1 | 1 | Bit No. 2 | 1 | 0 | 0 | 1 | 1         | Bit No. 1 | 1 | 0 | 1 | 0 | 1 | 1 |   |   |   |           |   |   |   |   |   |   |   |   |   |   |           |   |   |   |   |   |   |   |   |   |   |
| Counter    | Reserved                          |  |                 |          |        |        |        |        |           |   |    |   |   |           |           |   |   |   |   |   |           |   |   |   |   |           |           |   |   |   |   |   |   |   |   |   |           |   |   |   |   |   |   |   |   |   |   |           |   |   |   |   |   |   |   |   |   |   |
| Bit No. 4  | 1                                 | 1  | 1               | 1        | 1      |        |        |        |           |   |    |   |   |           |           |   |   |   |   |   |           |   |   |   |   |           |           |   |   |   |   |   |   |   |   |   |           |   |   |   |   |   |   |   |   |   |   |           |   |   |   |   |   |   |   |   |   |   |
| Bit No. 3  | 0                                 | 1  | 1               | 1        | 1      |        |        |        |           |   |    |   |   |           |           |   |   |   |   |   |           |   |   |   |   |           |           |   |   |   |   |   |   |   |   |   |           |   |   |   |   |   |   |   |   |   |   |           |   |   |   |   |   |   |   |   |   |   |
| Bit No. 2  | 1                                 | 0  | 0               | 1        | 1      |        |        |        |           |   |    |   |   |           |           |   |   |   |   |   |           |   |   |   |   |           |           |   |   |   |   |   |   |   |   |   |           |   |   |   |   |   |   |   |   |   |   |           |   |   |   |   |   |   |   |   |   |   |
| Bit No. 1  | 1                                 | 0  | 1               | 0        | 1      |        |        |        |           |   |    |   |   |           |           |   |   |   |   |   |           |   |   |   |   |           |           |   |   |   |   |   |   |   |   |   |           |   |   |   |   |   |   |   |   |   |   |           |   |   |   |   |   |   |   |   |   |   |

- Bit 6-5: Level 1 training check phases are not so severe than level 2,3,4. Level 2,3,4 can keep higher RX speed communication than level 1 for poor line condition.

bizhub C25

ADJUSTMENT / SETTING

**14.3.19 SOFT SWITCH: #19**

| Bit No. | Designation      | Function                  | Initial setting |           |     |     |     |     |     |     |     |   |   |   |   |
|---------|------------------|---------------------------|-----------------|-----------|-----|-----|-----|-----|-----|-----|-----|---|---|---|---|
|         |                  |                           | Bit             | HEX       |     |     |     |     |     |     |     |   |   |   |   |
| 8       | CNG signal level | Level (dBm)               | -17             | -16       | -15 | -14 | -13 | -12 | -11 | -10 | 0   | 7 |   |   |   |
|         |                  | Bit No. 8                 | 0               | 0         | 0   | 0   | 0   | 0   | 0   | 0   |     |   |   |   |   |
| 7       |                  |                           | Bit No. 7       | 0         | 0   | 0   | 0   | 1   | 1   | 1   |     |   | 1 | 1 |   |
|         |                  |                           | Bit No. 6       | 0         | 0   | 1   | 1   | 0   | 0   | 1   |     |   | 1 |   |   |
|         |                  |                           |                 | Bit No. 5 | 0   | 1   | 0   | 1   | 0   | 1   | 0   |   | 1 |   |   |
| 6       |                  |                           | Level (dBm)     | -9        | -8  | -7  | -6  | -5  | -4  | -3  | -2  |   | 1 |   |   |
|         |                  |                           | Bit No. 8       | 1         | 1   | 1   | 1   | 1   | 1   | 1   | 1   |   |   |   |   |
|         |                  |                           |                 | Bit No. 7 | 0   | 0   | 0   | 0   | 1   | 1   | 1   |   | 1 |   |   |
|         |                  |                           |                 | Bit No. 6 | 0   | 0   | 1   | 1   | 0   | 0   | 1   |   | 1 | 1 |   |
| 5       |                  |                           |                 | Bit No. 5 | 0   | 1   | 0   | 1   | 0   | 1   | 0   |   | 1 |   |   |
| 4       |                  | DTMF high frequency level | Level (dBm)     | -17       | -16 | -15 | -14 | -13 | -12 | -11 | -10 |   | 1 | 8 |   |
|         |                  |                           |                 | Bit No. 4 | 0   | 0   | 0   | 0   | 0   | 0   | 0   |   |   |   | 0 |
| 3       |                  |                           |                 | Bit No. 3 | 0   | 0   | 0   | 0   | 1   | 1   | 1   | 1 |   |   | 0 |
|         |                  |                           |                 | Bit No. 2 | 0   | 0   | 1   | 1   | 0   | 0   | 1   | 1 |   |   |   |
|         |                  |                           |                 | Bit No. 1 | 0   | 1   | 0   | 1   | 0   | 1   | 0   | 1 |   |   |   |
|         |                  |                           | Level (dBm)     | -9        | -8  | -7  | -6  | -5  | -4  | -3  | -2  | 0 |   |   |   |
| 2       |                  |                           |                 | Bit No. 4 | 1   | 1   | 1   | 1   | 1   | 1   | 1   |   | 1 |   |   |
|         |                  |                           |                 | Bit No. 3 | 0   | 0   | 0   | 0   | 1   | 1   | 1   | 1 |   |   |   |
|         |                  |                           |                 | Bit No. 2 | 0   | 0   | 1   | 1   | 0   | 0   | 1   | 1 | 0 |   |   |
| 1       |                  |                           |                 | Bit No. 1 | 0   | 1   | 0   | 1   | 0   | 1   | 0   | 1 |   |   |   |

**14.3.20 SOFT SWITCH: #20**

| Bit No. | Designation        | Function     | Initial setting |           |   |   |   |   |    |    |   |   |   |   |   |
|---------|--------------------|--------------|-----------------|-----------|---|---|---|---|----|----|---|---|---|---|---|
|         |                    |              | Bit             | HEX       |   |   |   |   |    |    |   |   |   |   |   |
| 8       | Max. ring off time | Timer (sec.) | 4               | 5         | 6 | 7 | 8 | 9 | 10 | 13 | 1 | E |   |   |   |
|         |                    |              | Bit No. 8       | 0         | 0 | 0 | 0 | 1 | 1  | 1  |   |   | 1 |   |   |
| 7       |                    |              |                 | Bit No. 7 | 0 | 0 | 1 | 1 | 0  | 0  |   |   | 1 | 1 | 1 |
|         |                    |              |                 | Bit No. 6 | 0 | 1 | 0 | 1 | 0  | 1  |   |   | 0 | 1 |   |
| 5       | Reserved           | Reserved     |                 |           |   |   |   |   |    |    | 0 | 0 |   |   |   |
| 4       |                    |              |                 |           |   |   |   |   |    |    |   |   |   |   |   |
| 3       |                    |              |                 |           |   |   |   |   |    |    |   |   |   |   |   |
| 2       |                    |              |                 |           |   |   |   |   |    |    |   |   |   |   |   |
| 1       |                    |              |                 |           |   |   |   |   |    |    |   |   |   |   |   |

bizhub C25

ADJUSTMENT / SETTING

**14.3.21 SOFT SWITCH: #21**

| Bit No.             | Designation  | Function   | Initial setting     |         |         |         |         |           |           |   |   |   |           |           |   |   |   |   |   |
|---------------------|--|--|---------------------|---------|---------|---------|---------|-----------|-----------|---|---|---|-----------|-----------|---|---|---|---|---|
|                     |  |  | Bit                 | HEX     |         |         |         |           |           |   |   |   |           |           |   |   |   |   |   |
| 8                   | NSS signal before DCS  | 0: Not to send NSS signal for self mode in TX mode   | 1                   | 8       |         |         |         |           |           |   |   |   |           |           |   |   |   |   |   |
|                     |  | 1: Send NSS signal if remote side is same model  |                     |         |         |         |         |           |           |   |   |   |           |           |   |   |   |   |   |
| 7                   | CNG sending duration after dialing                               | <table border="1"> <thead> <tr> <th>Duration (unit=sec)</th> <th>40</th> <th>60</th> <th>70</th> <th>120</th> </tr> </thead> <tbody> <tr> <td>Bit No. 7</td> <td>0</td> <td>0</td> <td>1</td> <td>1</td> </tr> <tr> <td>Bit No. 6</td> <td>0</td> <td>1</td> <td>0</td> <td>1</td> </tr> </tbody> </table>             | Duration (unit=sec) |         | 40      | 60      | 70      | 120       | Bit No. 7 | 0 | 0 | 1 | 1         | Bit No. 6 | 0 | 1 | 0 | 1 | 0 |
| Duration (unit=sec) |  | 40   | 60                  |         | 70      | 120     |         |           |           |   |   |   |           |           |   |   |   |   |   |
| Bit No. 7           |  | 0  | 0                   |         | 1       | 1       |         |           |           |   |   |   |           |           |   |   |   |   |   |
| Bit No. 6           | 0  | 1  | 0                   |         | 1       |         |         |           |           |   |   |   |           |           |   |   |   |   |   |
| 6                   |  |  | 0                   |         |         |         |         |           |           |   |   |   |           |           |   |   |   |   |   |
| 5                   | T4 timer   | 0: 3.0 sec. - Normal case  | 0                   |         |         |         |         |           |           |   |   |   |           |           |   |   |   |   |   |
|                     |  | 1: 4.5 sec.  |                     |         |         |         |         |           |           |   |   |   |           |           |   |   |   |   |   |
| 4                   | VOIP (Voice over IP)   | 0: Disable   | 0                   |         |         |         |         |           |           |   |   |   |           |           |   |   |   |   |   |
|                     |  | 1: Enable  |                     |         |         |         |         |           |           |   |   |   |           |           |   |   |   |   |   |
| 3                   | DIS signal length  | 0: Normal length (Bit 1 to 64)   | 0                   |         |         |         |         |           |           |   |   |   |           |           |   |   |   |   |   |
|                     |  | 1: 4 bytes DIS command. - bit 1 to 32 only   |                     |         |         |         |         |           |           |   |   |   |           |           |   |   |   |   |   |
| 2                   | Increase default T1 timing during calling (Only for TX function) | <table border="1"> <thead> <tr> <th>Description (sec)</th> <th>T1</th> <th>T1 + 30</th> <th>T1 + 40</th> <th>T1 + 60</th> </tr> </thead> <tbody> <tr> <td>Bit No. 2</td> <td>0</td> <td>0</td> <td>1</td> <td>1</td> </tr> <tr> <td>Bit No. 1</td> <td>0</td> <td>1</td> <td>0</td> <td>1</td> </tr> </tbody> </table> | Description (sec)   | T1      | T1 + 30 | T1 + 40 | T1 + 60 | Bit No. 2 | 0         | 0 | 1 | 1 | Bit No. 1 | 0         | 1 | 0 | 1 | 0 |   |
| Description (sec)   |  | T1   | T1 + 30             | T1 + 40 | T1 + 60 |         |         |           |           |   |   |   |           |           |   |   |   |   |   |
| Bit No. 2           |  | 0  | 0                   | 1       | 1       |         |         |           |           |   |   |   |           |           |   |   |   |   |   |
| Bit No. 1           | 0  | 1  | 0                   | 1       |         |         |         |           |           |   |   |   |           |           |   |   |   |   |   |
| 1                   |  |  | 0                   |         |         |         |         |           |           |   |   |   |           |           |   |   |   |   |   |

- Bit 8: Sender machine's name will show on the other party's LCD or print on the report if remote side is the same model.
- Bit 3: Some old machine can not accept DIS command over 4 bytes, and every time will become fail. In this case can set this bit to 1. If this bit set to 1, JBIG and V8 capability will disable automatically.
- Bit 2-1: T1 indicate the calling time after dialing, can adjust the T1 time more long by change the default value. The default T1 timer depends on each country regulation.

bizhub C25

ADJUSTMENT / SETTING

**14.3.22 SOFT SWITCH: #22**

| Bit No.     | Designation   | Function  | Initial setting |     |     |     |     |     |     |     |           |           |   |   |   |   |   |   |   |           |           |   |   |   |   |   |   |   |           |           |   |   |   |   |   |   |   |           |           |   |   |   |   |   |   |   |   |   |   |
|-------------|---|---|-----------------|-----|-----|-----|-----|-----|-----|-----|-----------|-----------|---|---|---|---|---|---|---|-----------|-----------|---|---|---|---|---|---|---|-----------|-----------|---|---|---|---|---|---|---|-----------|-----------|---|---|---|---|---|---|---|---|---|---|
|             |   |   | Bit             | HEX |     |     |     |     |     |     |           |           |   |   |   |   |   |   |   |           |           |   |   |   |   |   |   |   |           |           |   |   |   |   |   |   |   |           |           |   |   |   |   |   |   |   |   |   |   |
| 8           | Reserved  | Reserved  | 0               | 0   |     |     |     |     |     |     |           |           |   |   |   |   |   |   |   |           |           |   |   |   |   |   |   |   |           |           |   |   |   |   |   |   |   |           |           |   |   |   |   |   |   |   |   |   |   |
| 7           |   |   | 0               |     |     |     |     |     |     |     |           |           |   |   |   |   |   |   |   |           |           |   |   |   |   |   |   |   |           |           |   |   |   |   |   |   |   |           |           |   |   |   |   |   |   |   |   |   |   |
| 6           |   |   | 0               |     |     |     |     |     |     |     |           |           |   |   |   |   |   |   |   |           |           |   |   |   |   |   |   |   |           |           |   |   |   |   |   |   |   |           |           |   |   |   |   |   |   |   |   |   |   |
| 5           |   |   | 0               |     |     |     |     |     |     |     |           |           |   |   |   |   |   |   |   |           |           |   |   |   |   |   |   |   |           |           |   |   |   |   |   |   |   |           |           |   |   |   |   |   |   |   |   |   |   |
| 4           | CED signal output level   | <table border="1"> <thead> <tr> <th>Level (dBm)</th> <th>-17</th> <th>-16</th> <th>-15</th> <th>-14</th> <th>-13</th> <th>-12</th> <th>-11</th> <th>-10</th> </tr> </thead> <tbody> <tr> <td>Bit No. 4</td> <td>0</td> <td>0</td> <td>0</td> <td>0</td> <td>0</td> <td>0</td> <td>0</td> <td>0</td> </tr> <tr> <td>Bit No. 3</td> <td>0</td> <td>0</td> <td>0</td> <td>0</td> <td>1</td> <td>1</td> <td>1</td> <td>1</td> </tr> <tr> <td>Bit No. 2</td> <td>0</td> <td>0</td> <td>1</td> <td>1</td> <td>0</td> <td>0</td> <td>1</td> <td>1</td> </tr> <tr> <td>Bit No. 1</td> <td>0</td> <td>1</td> <td>0</td> <td>1</td> <td>0</td> <td>1</td> <td>0</td> <td>1</td> </tr> </tbody> </table> | Level (dBm)     | -17 | -16 | -15 | -14 | -13 | -12 | -11 | -10       | Bit No. 4 | 0 | 0 | 0 | 0 | 0 | 0 | 0 | 0         | Bit No. 3 | 0 | 0 | 0 | 0 | 1 | 1 | 1 | 1         | Bit No. 2 | 0 | 0 | 1 | 1 | 0 | 0 | 1 | 1         | Bit No. 1 | 0 | 1 | 0 | 1 | 0 | 1 | 0 | 1 | 0 | 7 |
| Level (dBm) |   | -17   | -16             | -15 | -14 | -13 | -12 | -11 | -10 |     |           |           |   |   |   |   |   |   |   |           |           |   |   |   |   |   |   |   |           |           |   |   |   |   |   |   |   |           |           |   |   |   |   |   |   |   |   |   |   |
| Bit No. 4   |   | 0   | 0               | 0   | 0   | 0   | 0   | 0   | 0   |     |           |           |   |   |   |   |   |   |   |           |           |   |   |   |   |   |   |   |           |           |   |   |   |   |   |   |   |           |           |   |   |   |   |   |   |   |   |   |   |
| Bit No. 3   |   | 0   | 0               | 0   | 0   | 1   | 1   | 1   | 1   |     |           |           |   |   |   |   |   |   |   |           |           |   |   |   |   |   |   |   |           |           |   |   |   |   |   |   |   |           |           |   |   |   |   |   |   |   |   |   |   |
| Bit No. 2   |   | 0   | 0               | 1   | 1   | 0   | 0   | 1   | 1   |     |           |           |   |   |   |   |   |   |   |           |           |   |   |   |   |   |   |   |           |           |   |   |   |   |   |   |   |           |           |   |   |   |   |   |   |   |   |   |   |
| Bit No. 1   |   | 0   | 1               | 0   | 1   | 0   | 1   | 0   | 1   |     |           |           |   |   |   |   |   |   |   |           |           |   |   |   |   |   |   |   |           |           |   |   |   |   |   |   |   |           |           |   |   |   |   |   |   |   |   |   |   |
| 3           |   | <table border="1"> <thead> <tr> <th>Level (dBm)</th> <th>-9</th> <th>-8</th> <th>-7</th> <th>-6</th> <th>-5</th> <th>-4</th> <th>-3</th> <th>-2</th> </tr> </thead> <tbody> <tr> <td>Bit No. 4</td> <td>1</td> <td>1</td> <td>1</td> <td>1</td> <td>1</td> <td>1</td> <td>1</td> <td>1</td> </tr> <tr> <td>Bit No. 3</td> <td>0</td> <td>0</td> <td>0</td> <td>0</td> <td>1</td> <td>1</td> <td>1</td> <td>1</td> </tr> <tr> <td>Bit No. 2</td> <td>0</td> <td>0</td> <td>1</td> <td>1</td> <td>0</td> <td>0</td> <td>1</td> <td>1</td> </tr> <tr> <td>Bit No. 1</td> <td>0</td> <td>1</td> <td>0</td> <td>1</td> <td>0</td> <td>1</td> <td>0</td> <td>1</td> </tr> </tbody> </table>         | Level (dBm)     | -9  | -8  | -7  | -6  | -5  | -4  | -3  | -2        | Bit No. 4 | 1 | 1 | 1 | 1 | 1 | 1 | 1 | 1         | Bit No. 3 | 0 | 0 | 0 | 0 | 1 | 1 | 1 | 1         | Bit No. 2 | 0 | 0 | 1 | 1 | 0 | 0 | 1 | 1         | Bit No. 1 | 0 | 1 | 0 | 1 | 0 | 1 | 0 | 1 | 1 |   |
| Level (dBm) |   | -9  | -8              | -7  | -6  | -5  | -4  | -3  | -2  |     |           |           |   |   |   |   |   |   |   |           |           |   |   |   |   |   |   |   |           |           |   |   |   |   |   |   |   |           |           |   |   |   |   |   |   |   |   |   |   |
| Bit No. 4   |   | 1   | 1               | 1   | 1   | 1   | 1   | 1   | 1   |     |           |           |   |   |   |   |   |   |   |           |           |   |   |   |   |   |   |   |           |           |   |   |   |   |   |   |   |           |           |   |   |   |   |   |   |   |   |   |   |
| Bit No. 3   |   | 0   | 0               | 0   | 0   | 1   | 1   | 1   | 1   |     |           |           |   |   |   |   |   |   |   |           |           |   |   |   |   |   |   |   |           |           |   |   |   |   |   |   |   |           |           |   |   |   |   |   |   |   |   |   |   |
| Bit No. 2   |   | 0   | 0               | 1   | 1   | 0   | 0   | 1   | 1   |     |           |           |   |   |   |   |   |   |   |           |           |   |   |   |   |   |   |   |           |           |   |   |   |   |   |   |   |           |           |   |   |   |   |   |   |   |   |   |   |
| Bit No. 1   |   | 0   | 1               | 0   | 1   | 0   | 1   | 0   | 1   |     |           |           |   |   |   |   |   |   |   |           |           |   |   |   |   |   |   |   |           |           |   |   |   |   |   |   |   |           |           |   |   |   |   |   |   |   |   |   |   |
| 2           | <table border="1"> <thead> <tr> <th>Level (dBm)</th> <th>-9</th> <th>-8</th> <th>-7</th> <th>-6</th> <th>-5</th> <th>-4</th> <th>-3</th> <th>-2</th> </tr> </thead> <tbody> <tr> <td>Bit No. 4</td> <td>1</td> <td>1</td> <td>1</td> <td>1</td> <td>1</td> <td>1</td> <td>1</td> <td>1</td> </tr> <tr> <td>Bit No. 3</td> <td>0</td> <td>0</td> <td>0</td> <td>0</td> <td>1</td> <td>1</td> <td>1</td> <td>1</td> </tr> <tr> <td>Bit No. 2</td> <td>0</td> <td>0</td> <td>1</td> <td>1</td> <td>0</td> <td>0</td> <td>1</td> <td>1</td> </tr> <tr> <td>Bit No. 1</td> <td>0</td> <td>1</td> <td>0</td> <td>1</td> <td>0</td> <td>1</td> <td>0</td> <td>1</td> </tr> </tbody> </table> | Level (dBm)   | -9              | -8  | -7  | -6  | -5  | -4  | -3  | -2  | Bit No. 4 | 1         | 1 | 1 | 1 | 1 | 1 | 1 | 1 | Bit No. 3 | 0         | 0 | 0 | 0 | 1 | 1 | 1 | 1 | Bit No. 2 | 0         | 0 | 1 | 1 | 0 | 0 | 1 | 1 | Bit No. 1 | 0         | 1 | 0 | 1 | 0 | 1 | 0 | 1 | 1 |   |   |
| Level (dBm) | -9  | -8  | -7              | -6  | -5  | -4  | -3  | -2  |     |     |           |           |   |   |   |   |   |   |   |           |           |   |   |   |   |   |   |   |           |           |   |   |   |   |   |   |   |           |           |   |   |   |   |   |   |   |   |   |   |
| Bit No. 4   | 1   | 1   | 1               | 1   | 1   | 1   | 1   | 1   |     |     |           |           |   |   |   |   |   |   |   |           |           |   |   |   |   |   |   |   |           |           |   |   |   |   |   |   |   |           |           |   |   |   |   |   |   |   |   |   |   |
| Bit No. 3   | 0   | 0   | 0               | 0   | 1   | 1   | 1   | 1   |     |     |           |           |   |   |   |   |   |   |   |           |           |   |   |   |   |   |   |   |           |           |   |   |   |   |   |   |   |           |           |   |   |   |   |   |   |   |   |   |   |
| Bit No. 2   | 0   | 0   | 1               | 1   | 0   | 0   | 1   | 1   |     |     |           |           |   |   |   |   |   |   |   |           |           |   |   |   |   |   |   |   |           |           |   |   |   |   |   |   |   |           |           |   |   |   |   |   |   |   |   |   |   |
| Bit No. 1   | 0   | 1   | 0               | 1   | 0   | 1   | 0   | 1   |     |     |           |           |   |   |   |   |   |   |   |           |           |   |   |   |   |   |   |   |           |           |   |   |   |   |   |   |   |           |           |   |   |   |   |   |   |   |   |   |   |
| 1           | <table border="1"> <thead> <tr> <th>Level (dBm)</th> <th>-9</th> <th>-8</th> <th>-7</th> <th>-6</th> <th>-5</th> <th>-4</th> <th>-3</th> <th>-2</th> </tr> </thead> <tbody> <tr> <td>Bit No. 4</td> <td>1</td> <td>1</td> <td>1</td> <td>1</td> <td>1</td> <td>1</td> <td>1</td> <td>1</td> </tr> <tr> <td>Bit No. 3</td> <td>0</td> <td>0</td> <td>0</td> <td>0</td> <td>1</td> <td>1</td> <td>1</td> <td>1</td> </tr> <tr> <td>Bit No. 2</td> <td>0</td> <td>0</td> <td>1</td> <td>1</td> <td>0</td> <td>0</td> <td>1</td> <td>1</td> </tr> <tr> <td>Bit No. 1</td> <td>0</td> <td>1</td> <td>0</td> <td>1</td> <td>0</td> <td>1</td> <td>0</td> <td>1</td> </tr> </tbody> </table> | Level (dBm)   | -9              | -8  | -7  | -6  | -5  | -4  | -3  | -2  | Bit No. 4 | 1         | 1 | 1 | 1 | 1 | 1 | 1 | 1 | Bit No. 3 | 0         | 0 | 0 | 0 | 1 | 1 | 1 | 1 | Bit No. 2 | 0         | 0 | 1 | 1 | 0 | 0 | 1 | 1 | Bit No. 1 | 0         | 1 | 0 | 1 | 0 | 1 | 0 | 1 | 1 |   |   |
| Level (dBm) | -9  | -8  | -7              | -6  | -5  | -4  | -3  | -2  |     |     |           |           |   |   |   |   |   |   |   |           |           |   |   |   |   |   |   |   |           |           |   |   |   |   |   |   |   |           |           |   |   |   |   |   |   |   |   |   |   |
| Bit No. 4   | 1   | 1   | 1               | 1   | 1   | 1   | 1   | 1   |     |     |           |           |   |   |   |   |   |   |   |           |           |   |   |   |   |   |   |   |           |           |   |   |   |   |   |   |   |           |           |   |   |   |   |   |   |   |   |   |   |
| Bit No. 3   | 0   | 0   | 0               | 0   | 1   | 1   | 1   | 1   |     |     |           |           |   |   |   |   |   |   |   |           |           |   |   |   |   |   |   |   |           |           |   |   |   |   |   |   |   |           |           |   |   |   |   |   |   |   |   |   |   |
| Bit No. 2   | 0   | 0   | 1               | 1   | 0   | 0   | 1   | 1   |     |     |           |           |   |   |   |   |   |   |   |           |           |   |   |   |   |   |   |   |           |           |   |   |   |   |   |   |   |           |           |   |   |   |   |   |   |   |   |   |   |
| Bit No. 1   | 0   | 1   | 0               | 1   | 0   | 1   | 0   | 1   |     |     |           |           |   |   |   |   |   |   |   |           |           |   |   |   |   |   |   |   |           |           |   |   |   |   |   |   |   |           |           |   |   |   |   |   |   |   |   |   |   |

**14.3.23 SOFT SWITCH: #23**

| Bit No.     | Designation  | Function  | Initial setting |     |     |     |     |     |     |    |           |           |   |   |   |   |   |   |   |           |           |   |   |   |   |   |   |   |           |           |   |   |   |   |   |   |   |           |           |   |   |   |   |   |   |   |   |   |   |
|-------------|--|---|-----------------|-----|-----|-----|-----|-----|-----|----|-----------|-----------|---|---|---|---|---|---|---|-----------|-----------|---|---|---|---|---|---|---|-----------|-----------|---|---|---|---|---|---|---|-----------|-----------|---|---|---|---|---|---|---|---|---|---|
|             |  |   | Bit             | HEX |     |     |     |     |     |    |           |           |   |   |   |   |   |   |   |           |           |   |   |   |   |   |   |   |           |           |   |   |   |   |   |   |   |           |           |   |   |   |   |   |   |   |   |   |   |
| 8           | Reserved   | Reserved  | 0               | 0   |     |     |     |     |     |    |           |           |   |   |   |   |   |   |   |           |           |   |   |   |   |   |   |   |           |           |   |   |   |   |   |   |   |           |           |   |   |   |   |   |   |   |   |   |   |
| 7           |  |   | 0               |     |     |     |     |     |     |    |           |           |   |   |   |   |   |   |   |           |           |   |   |   |   |   |   |   |           |           |   |   |   |   |   |   |   |           |           |   |   |   |   |   |   |   |   |   |   |
| 6           |  |   | 0               |     |     |     |     |     |     |    |           |           |   |   |   |   |   |   |   |           |           |   |   |   |   |   |   |   |           |           |   |   |   |   |   |   |   |           |           |   |   |   |   |   |   |   |   |   |   |
| 5           |  |   | 0               |     |     |     |     |     |     |    |           |           |   |   |   |   |   |   |   |           |           |   |   |   |   |   |   |   |           |           |   |   |   |   |   |   |   |           |           |   |   |   |   |   |   |   |   |   |   |
| 4           | DTMF low frequency level   | <table border="1"> <thead> <tr> <th>Level (dBm)</th> <th>-15</th> <th>-14</th> <th>-13</th> <th>-12</th> <th>-11</th> <th>-10</th> <th>-9</th> <th>-8</th> </tr> </thead> <tbody> <tr> <td>Bit No. 4</td> <td>0</td> <td>0</td> <td>0</td> <td>0</td> <td>0</td> <td>0</td> <td>0</td> <td>0</td> </tr> <tr> <td>Bit No. 3</td> <td>0</td> <td>0</td> <td>0</td> <td>0</td> <td>1</td> <td>1</td> <td>1</td> <td>1</td> </tr> <tr> <td>Bit No. 2</td> <td>0</td> <td>0</td> <td>1</td> <td>1</td> <td>0</td> <td>0</td> <td>1</td> <td>1</td> </tr> <tr> <td>Bit No. 1</td> <td>0</td> <td>1</td> <td>0</td> <td>1</td> <td>0</td> <td>1</td> <td>0</td> <td>1</td> </tr> </tbody> </table> | Level (dBm)     | -15 | -14 | -13 | -12 | -11 | -10 | -9 | -8        | Bit No. 4 | 0 | 0 | 0 | 0 | 0 | 0 | 0 | 0         | Bit No. 3 | 0 | 0 | 0 | 0 | 1 | 1 | 1 | 1         | Bit No. 2 | 0 | 0 | 1 | 1 | 0 | 0 | 1 | 1         | Bit No. 1 | 0 | 1 | 0 | 1 | 0 | 1 | 0 | 1 | 0 | 4 |
| Level (dBm) |  | -15   | -14             | -13 | -12 | -11 | -10 | -9  | -8  |    |           |           |   |   |   |   |   |   |   |           |           |   |   |   |   |   |   |   |           |           |   |   |   |   |   |   |   |           |           |   |   |   |   |   |   |   |   |   |   |
| Bit No. 4   |  | 0   | 0               | 0   | 0   | 0   | 0   | 0   | 0   |    |           |           |   |   |   |   |   |   |   |           |           |   |   |   |   |   |   |   |           |           |   |   |   |   |   |   |   |           |           |   |   |   |   |   |   |   |   |   |   |
| Bit No. 3   |  | 0   | 0               | 0   | 0   | 1   | 1   | 1   | 1   |    |           |           |   |   |   |   |   |   |   |           |           |   |   |   |   |   |   |   |           |           |   |   |   |   |   |   |   |           |           |   |   |   |   |   |   |   |   |   |   |
| Bit No. 2   |  | 0   | 0               | 1   | 1   | 0   | 0   | 1   | 1   |    |           |           |   |   |   |   |   |   |   |           |           |   |   |   |   |   |   |   |           |           |   |   |   |   |   |   |   |           |           |   |   |   |   |   |   |   |   |   |   |
| Bit No. 1   |  | 0   | 1               | 0   | 1   | 0   | 1   | 0   | 1   |    |           |           |   |   |   |   |   |   |   |           |           |   |   |   |   |   |   |   |           |           |   |   |   |   |   |   |   |           |           |   |   |   |   |   |   |   |   |   |   |
| 3           |  | <table border="1"> <thead> <tr> <th>Level (dBm)</th> <th>-7</th> <th>-6</th> <th>-5</th> <th>-4</th> <th>-3</th> <th>-2</th> <th>-1</th> <th>0</th> </tr> </thead> <tbody> <tr> <td>Bit No. 4</td> <td>1</td> <td>1</td> <td>1</td> <td>1</td> <td>1</td> <td>1</td> <td>1</td> <td>1</td> </tr> <tr> <td>Bit No. 3</td> <td>0</td> <td>0</td> <td>0</td> <td>0</td> <td>1</td> <td>1</td> <td>1</td> <td>1</td> </tr> <tr> <td>Bit No. 2</td> <td>0</td> <td>0</td> <td>1</td> <td>1</td> <td>0</td> <td>0</td> <td>1</td> <td>1</td> </tr> <tr> <td>Bit No. 1</td> <td>0</td> <td>1</td> <td>0</td> <td>1</td> <td>0</td> <td>1</td> <td>0</td> <td>1</td> </tr> </tbody> </table>        | Level (dBm)     | -7  | -6  | -5  | -4  | -3  | -2  | -1 | 0         | Bit No. 4 | 1 | 1 | 1 | 1 | 1 | 1 | 1 | 1         | Bit No. 3 | 0 | 0 | 0 | 0 | 1 | 1 | 1 | 1         | Bit No. 2 | 0 | 0 | 1 | 1 | 0 | 0 | 1 | 1         | Bit No. 1 | 0 | 1 | 0 | 1 | 0 | 1 | 0 | 1 | 1 |   |
| Level (dBm) |  | -7  | -6              | -5  | -4  | -3  | -2  | -1  | 0   |    |           |           |   |   |   |   |   |   |   |           |           |   |   |   |   |   |   |   |           |           |   |   |   |   |   |   |   |           |           |   |   |   |   |   |   |   |   |   |   |
| Bit No. 4   |  | 1   | 1               | 1   | 1   | 1   | 1   | 1   | 1   |    |           |           |   |   |   |   |   |   |   |           |           |   |   |   |   |   |   |   |           |           |   |   |   |   |   |   |   |           |           |   |   |   |   |   |   |   |   |   |   |
| Bit No. 3   |  | 0   | 0               | 0   | 0   | 1   | 1   | 1   | 1   |    |           |           |   |   |   |   |   |   |   |           |           |   |   |   |   |   |   |   |           |           |   |   |   |   |   |   |   |           |           |   |   |   |   |   |   |   |   |   |   |
| Bit No. 2   |  | 0   | 0               | 1   | 1   | 0   | 0   | 1   | 1   |    |           |           |   |   |   |   |   |   |   |           |           |   |   |   |   |   |   |   |           |           |   |   |   |   |   |   |   |           |           |   |   |   |   |   |   |   |   |   |   |
| Bit No. 1   |  | 0   | 1               | 0   | 1   | 0   | 1   | 0   | 1   |    |           |           |   |   |   |   |   |   |   |           |           |   |   |   |   |   |   |   |           |           |   |   |   |   |   |   |   |           |           |   |   |   |   |   |   |   |   |   |   |
| 2           | <table border="1"> <thead> <tr> <th>Level (dBm)</th> <th>-7</th> <th>-6</th> <th>-5</th> <th>-4</th> <th>-3</th> <th>-2</th> <th>-1</th> <th>0</th> </tr> </thead> <tbody> <tr> <td>Bit No. 4</td> <td>1</td> <td>1</td> <td>1</td> <td>1</td> <td>1</td> <td>1</td> <td>1</td> <td>1</td> </tr> <tr> <td>Bit No. 3</td> <td>0</td> <td>0</td> <td>0</td> <td>0</td> <td>1</td> <td>1</td> <td>1</td> <td>1</td> </tr> <tr> <td>Bit No. 2</td> <td>0</td> <td>0</td> <td>1</td> <td>1</td> <td>0</td> <td>0</td> <td>1</td> <td>1</td> </tr> <tr> <td>Bit No. 1</td> <td>0</td> <td>1</td> <td>0</td> <td>1</td> <td>0</td> <td>1</td> <td>0</td> <td>1</td> </tr> </tbody> </table> | Level (dBm)   | -7              | -6  | -5  | -4  | -3  | -2  | -1  | 0  | Bit No. 4 | 1         | 1 | 1 | 1 | 1 | 1 | 1 | 1 | Bit No. 3 | 0         | 0 | 0 | 0 | 1 | 1 | 1 | 1 | Bit No. 2 | 0         | 0 | 1 | 1 | 0 | 0 | 1 | 1 | Bit No. 1 | 0         | 1 | 0 | 1 | 0 | 1 | 0 | 1 | 0 |   |   |
| Level (dBm) | -7   | -6  | -5              | -4  | -3  | -2  | -1  | 0   |     |    |           |           |   |   |   |   |   |   |   |           |           |   |   |   |   |   |   |   |           |           |   |   |   |   |   |   |   |           |           |   |   |   |   |   |   |   |   |   |   |
| Bit No. 4   | 1  | 1   | 1               | 1   | 1   | 1   | 1   | 1   |     |    |           |           |   |   |   |   |   |   |   |           |           |   |   |   |   |   |   |   |           |           |   |   |   |   |   |   |   |           |           |   |   |   |   |   |   |   |   |   |   |
| Bit No. 3   | 0  | 0   | 0               | 0   | 1   | 1   | 1   | 1   |     |    |           |           |   |   |   |   |   |   |   |           |           |   |   |   |   |   |   |   |           |           |   |   |   |   |   |   |   |           |           |   |   |   |   |   |   |   |   |   |   |
| Bit No. 2   | 0  | 0   | 1               | 1   | 0   | 0   | 1   | 1   |     |    |           |           |   |   |   |   |   |   |   |           |           |   |   |   |   |   |   |   |           |           |   |   |   |   |   |   |   |           |           |   |   |   |   |   |   |   |   |   |   |
| Bit No. 1   | 0  | 1   | 0               | 1   | 0   | 1   | 0   | 1   |     |    |           |           |   |   |   |   |   |   |   |           |           |   |   |   |   |   |   |   |           |           |   |   |   |   |   |   |   |           |           |   |   |   |   |   |   |   |   |   |   |
| 1           | <table border="1"> <thead> <tr> <th>Level (dBm)</th> <th>-7</th> <th>-6</th> <th>-5</th> <th>-4</th> <th>-3</th> <th>-2</th> <th>-1</th> <th>0</th> </tr> </thead> <tbody> <tr> <td>Bit No. 4</td> <td>1</td> <td>1</td> <td>1</td> <td>1</td> <td>1</td> <td>1</td> <td>1</td> <td>1</td> </tr> <tr> <td>Bit No. 3</td> <td>0</td> <td>0</td> <td>0</td> <td>0</td> <td>1</td> <td>1</td> <td>1</td> <td>1</td> </tr> <tr> <td>Bit No. 2</td> <td>0</td> <td>0</td> <td>1</td> <td>1</td> <td>0</td> <td>0</td> <td>1</td> <td>1</td> </tr> <tr> <td>Bit No. 1</td> <td>0</td> <td>1</td> <td>0</td> <td>1</td> <td>0</td> <td>1</td> <td>0</td> <td>1</td> </tr> </tbody> </table> | Level (dBm)   | -7              | -6  | -5  | -4  | -3  | -2  | -1  | 0  | Bit No. 4 | 1         | 1 | 1 | 1 | 1 | 1 | 1 | 1 | Bit No. 3 | 0         | 0 | 0 | 0 | 1 | 1 | 1 | 1 | Bit No. 2 | 0         | 0 | 1 | 1 | 0 | 0 | 1 | 1 | Bit No. 1 | 0         | 1 | 0 | 1 | 0 | 1 | 0 | 1 | 0 |   |   |
| Level (dBm) | -7   | -6  | -5              | -4  | -3  | -2  | -1  | 0   |     |    |           |           |   |   |   |   |   |   |   |           |           |   |   |   |   |   |   |   |           |           |   |   |   |   |   |   |   |           |           |   |   |   |   |   |   |   |   |   |   |
| Bit No. 4   | 1  | 1   | 1               | 1   | 1   | 1   | 1   | 1   |     |    |           |           |   |   |   |   |   |   |   |           |           |   |   |   |   |   |   |   |           |           |   |   |   |   |   |   |   |           |           |   |   |   |   |   |   |   |   |   |   |
| Bit No. 3   | 0  | 0   | 0               | 0   | 1   | 1   | 1   | 1   |     |    |           |           |   |   |   |   |   |   |   |           |           |   |   |   |   |   |   |   |           |           |   |   |   |   |   |   |   |           |           |   |   |   |   |   |   |   |   |   |   |
| Bit No. 2   | 0  | 0   | 1               | 1   | 0   | 0   | 1   | 1   |     |    |           |           |   |   |   |   |   |   |   |           |           |   |   |   |   |   |   |   |           |           |   |   |   |   |   |   |   |           |           |   |   |   |   |   |   |   |   |   |   |
| Bit No. 1   | 0  | 1   | 0               | 1   | 0   | 1   | 0   | 1   |     |    |           |           |   |   |   |   |   |   |   |           |           |   |   |   |   |   |   |   |           |           |   |   |   |   |   |   |   |           |           |   |   |   |   |   |   |   |   |   |   |

14.3.24 SOFT SWITCH: #24 (Part 1)

bizhub C25

ADJUSTMENT / SETTING

| Bit No.   | Designation      | Function                        | Initial setting |     |    |    |    |    |    |    |    |    |   |  |   |   |
|-----------|------------------|---------------------------------|-----------------|-----|----|----|----|----|----|----|----|----|---|--|---|---|
|           |                  |                                 | Bit             | HEX |    |    |    |    |    |    |    |    |   |  |   |   |
| 8         | Ring cadence     | 0: NO                           | 0               |     |    |    |    |    |    |    |    |    |   |  |   |   |
|           |                  | 1: Ring detect less than 100 ms |                 |     |    |    |    |    |    |    |    |    |   |  |   |   |
| 7         |                  | Interval (min.)                 | Reserved        | 2   | 3  | 4  | 5  | 6  | 7  | 8  | 9  | 10 | 0 |  |   |   |
|           |                  | Bit No. 7                       | 0               | 0   | 0  | 0  | 0  | 0  | 0  | 0  | 0  | 0  |   |  | 0 |   |
|           |                  | Bit No. 6                       | 0               | 0   | 0  | 0  | 0  | 0  | 0  | 0  | 0  | 0  |   |  | 0 |   |
|           |                  | Bit No. 5                       | 0               | 0   | 0  | 0  | 0  | 0  | 0  | 0  | 0  | 0  |   |  | 0 |   |
|           |                  | Bit No. 4                       | 0               | 0   | 0  | 0  | 0  | 0  | 0  | 0  | 0  | 1  |   |  | 1 | 1 |
|           |                  | Bit No. 3                       | 0               | 0   | 0  | 0  | 1  | 1  | 1  | 1  | 0  | 0  |   |  | 0 | 0 |
|           |                  | Bit No. 2                       | 0               | 0   | 1  | 1  | 0  | 0  | 1  | 1  | 0  | 0  |   |  | 1 |   |
| 6         |                  | Interval (min.)                 | 11              | 12  | 13 | 14 | 15 | 16 | 17 | 18 | 19 | 20 | 0 |  |   |   |
|           |                  | Bit No. 7                       | 0               | 0   | 0  | 0  | 0  | 0  | 0  | 0  | 0  | 0  |   |  | 0 |   |
|           |                  | Bit No. 6                       | 0               | 0   | 0  | 0  | 0  | 0  | 0  | 0  | 0  | 0  |   |  | 0 |   |
|           |                  | Bit No. 5                       | 0               | 0   | 0  | 0  | 0  | 0  | 1  | 1  | 1  | 1  |   |  | 1 |   |
|           |                  | Bit No. 4                       | 1               | 1   | 1  | 1  | 1  | 0  | 0  | 0  | 0  | 0  |   |  | 0 |   |
|           |                  | Bit No. 3                       | 0               | 1   | 1  | 1  | 1  | 0  | 0  | 0  | 0  | 0  |   |  | 1 |   |
|           |                  | Bit No. 2                       | 1               | 0   | 0  | 1  | 1  | 0  | 0  | 1  | 1  | 0  |   |  | 0 |   |
| 5         |                  | Interval (min.)                 | 21              | 22  | 23 | 24 | 25 | 26 | 27 | 28 | 29 | 30 | 0 |  |   |   |
|           |                  | Bit No. 7                       | 0               | 0   | 0  | 0  | 0  | 0  | 0  | 0  | 0  | 0  |   |  | 0 |   |
|           |                  | Bit No. 6                       | 0               | 0   | 0  | 0  | 0  | 0  | 0  | 0  | 0  | 0  |   |  | 0 |   |
|           |                  | Bit No. 5                       | 1               | 1   | 1  | 1  | 1  | 1  | 1  | 1  | 1  | 1  |   |  | 1 |   |
|           |                  | Bit No. 4                       | 0               | 0   | 0  | 1  | 1  | 1  | 1  | 1  | 1  | 1  |   |  | 1 |   |
|           |                  | Bit No. 3                       | 1               | 1   | 1  | 0  | 0  | 0  | 0  | 1  | 1  | 1  |   |  | 1 |   |
|           |                  | Bit No. 2                       | 0               | 1   | 1  | 0  | 0  | 1  | 1  | 0  | 0  | 1  |   |  |   |   |
| 4         | Re-dial interval | Interval (min.)                 | 31              | 32  | 33 | 34 | 35 | 36 | 37 | 38 | 39 | 40 | 0 |  |   |   |
|           |                  | Bit No. 7                       | 0               | 0   | 0  | 0  | 0  | 0  | 0  | 0  | 0  | 0  |   |  | 0 |   |
|           |                  | Bit No. 6                       | 0               | 1   | 1  | 1  | 1  | 1  | 1  | 1  | 1  | 1  |   |  | 1 |   |
|           |                  | Bit No. 5                       | 1               | 0   | 0  | 0  | 0  | 0  | 0  | 0  | 0  | 0  |   |  | 0 |   |
|           |                  | Bit No. 4                       | 1               | 0   | 0  | 0  | 0  | 0  | 0  | 0  | 0  | 0  |   |  | 1 |   |
|           |                  | Bit No. 3                       | 1               | 0   | 0  | 0  | 0  | 1  | 1  | 1  | 1  | 0  |   |  |   |   |
|           |                  | Bit No. 2                       | 1               | 0   | 0  | 1  | 1  | 0  | 0  | 1  | 1  | 0  |   |  |   |   |
| 3         |                  | Interval (min.)                 | 41              | 42  | 43 | 44 | 45 | 46 | 47 | 48 | 49 | 50 | 0 |  |   |   |
|           |                  | Bit No. 7                       | 0               | 0   | 0  | 0  | 0  | 0  | 0  | 0  | 0  | 0  |   |  | 0 |   |
|           |                  | Bit No. 6                       | 1               | 1   | 1  | 1  | 1  | 1  | 1  | 1  | 1  | 1  |   |  | 1 |   |
|           |                  | Bit No. 5                       | 0               | 0   | 0  | 0  | 0  | 0  | 0  | 0  | 1  | 1  |   |  | 1 |   |
|           |                  | Bit No. 4                       | 1               | 1   | 1  | 1  | 1  | 1  | 1  | 1  | 0  | 0  |   |  | 0 |   |
|           |                  | Bit No. 3                       | 0               | 0   | 0  | 1  | 1  | 1  | 1  | 0  | 0  | 0  |   |  | 0 |   |
|           |                  | Bit No. 2                       | 0               | 1   | 1  | 0  | 0  | 1  | 1  | 0  | 0  | 1  |   |  |   |   |
| 2         |                  | Interval (min.)                 | 41              | 42  | 43 | 44 | 45 | 46 | 47 | 48 | 49 | 50 | 1 |  |   |   |
|           |                  | Bit No. 7                       | 0               | 0   | 0  | 0  | 0  | 0  | 0  | 0  | 0  | 0  |   |  | 0 |   |
|           |                  | Bit No. 6                       | 1               | 1   | 1  | 1  | 1  | 1  | 1  | 1  | 1  | 1  |   |  | 1 |   |
|           |                  | Bit No. 5                       | 0               | 0   | 0  | 0  | 0  | 0  | 0  | 0  | 1  | 1  |   |  | 1 |   |
|           |                  | Bit No. 4                       | 1               | 1   | 1  | 1  | 1  | 1  | 1  | 1  | 0  | 0  |   |  | 0 |   |
|           |                  | Bit No. 3                       | 0               | 0   | 0  | 1  | 1  | 1  | 1  | 0  | 0  | 0  |   |  | 0 |   |
|           |                  | Bit No. 2                       | 0               | 1   | 1  | 0  | 0  | 1  | 1  | 0  | 0  | 1  |   |  |   |   |
| 1         |                  | Interval (min.)                 | 41              | 42  | 43 | 44 | 45 | 46 | 47 | 48 | 49 | 50 | 0 |  |   |   |
|           |                  | Bit No. 7                       | 0               | 0   | 0  | 0  | 0  | 0  | 0  | 0  | 0  | 0  |   |  | 0 |   |
|           |                  | Bit No. 6                       | 1               | 1   | 1  | 1  | 1  | 1  | 1  | 1  | 1  | 1  |   |  | 1 |   |
|           |                  | Bit No. 5                       | 0               | 0   | 0  | 0  | 0  | 0  | 0  | 0  | 1  | 1  |   |  | 1 |   |
|           |                  | Bit No. 4                       | 1               | 1   | 1  | 1  | 1  | 1  | 1  | 1  | 0  | 0  |   |  | 0 |   |
|           |                  | Bit No. 3                       | 0               | 0   | 0  | 1  | 1  | 1  | 1  | 0  | 0  | 0  |   |  | 0 |   |
|           |                  | Bit No. 2                       | 0               | 1   | 1  | 0  | 0  | 1  | 1  | 0  | 0  | 1  |   |  |   |   |
| Bit No. 1 | 1                | 0                               | 1               | 0   | 1  | 0  | 1  | 0  | 1  | 0  |    |    |   |  |   |   |

14.3.25 SOFT SWITCH: #24 (Part 2)

| Bit No.   | Designation      | Function        | Initial setting |     |    |    |    |    |    |    |    |    |   |
|-----------|------------------|-----------------|-----------------|-----|----|----|----|----|----|----|----|----|---|
|           |                  |                 | Bit             | HEX |    |    |    |    |    |    |    |    |   |
| 7         | Re-dial interval | Interval (min.) | 51              | 52  | 53 | 54 | 55 | 56 | 57 | 58 | 59 | 60 |   |
|           |                  | Bit No. 7       | 0               | 0   | 0  | 0  | 0  | 0  | 0  | 0  | 0  | 0  | 0 |
|           |                  | Bit No. 6       | 1               | 1   | 1  | 1  | 1  | 1  | 1  | 1  | 1  | 1  | 1 |
|           |                  | Bit No. 5       | 1               | 1   | 1  | 1  | 1  | 1  | 1  | 1  | 1  | 1  | 1 |
|           |                  | Bit No. 4       | 0               | 0   | 0  | 0  | 0  | 0  | 1  | 1  | 1  | 1  | 1 |
|           |                  | Bit No. 3       | 0               | 1   | 1  | 1  | 1  | 0  | 0  | 0  | 0  | 0  | 1 |
|           |                  | Bit No. 2       | 1               | 0   | 0  | 1  | 1  | 0  | 0  | 1  | 1  | 1  | 0 |
| Bit No. 1 |                  | 1               | 0               | 1   | 0  | 1  | 0  | 1  | 0  | 1  | 0  | 1  |   |
| 6         |                  | Interval (min.) | 61              | 62  | 63 | 64 | 65 | 66 | 67 | 68 | 69 | 70 |   |
|           |                  | Bit No. 7       | 0               | 0   | 0  | 1  | 1  | 1  | 1  | 1  | 1  | 1  | 1 |
|           |                  | Bit No. 6       | 1               | 1   | 1  | 0  | 0  | 0  | 0  | 0  | 0  | 0  | 0 |
|           |                  | Bit No. 5       | 1               | 1   | 1  | 0  | 0  | 0  | 0  | 0  | 0  | 0  | 0 |
|           |                  | Bit No. 4       | 1               | 1   | 1  | 0  | 0  | 0  | 0  | 0  | 0  | 0  | 0 |
|           |                  | Bit No. 3       | 1               | 1   | 1  | 0  | 0  | 0  | 0  | 1  | 1  | 1  | 1 |
|           |                  | Bit No. 2       | 0               | 1   | 1  | 0  | 0  | 1  | 1  | 0  | 0  | 1  | 1 |
| Bit No. 1 |                  | 1               | 0               | 1   | 0  | 1  | 0  | 1  | 0  | 1  | 0  | 1  |   |
| 5         |                  | Interval (min.) | 71              | 72  | 73 | 74 | 75 | 76 | 77 | 78 | 79 | 80 |   |
|           |                  | Bit No. 7       | 1               | 1   | 1  | 1  | 1  | 1  | 1  | 1  | 1  | 1  | 1 |
|           |                  | Bit No. 6       | 0               | 0   | 0  | 0  | 0  | 0  | 0  | 0  | 0  | 0  | 0 |
|           |                  | Bit No. 5       | 0               | 0   | 0  | 0  | 0  | 0  | 0  | 0  | 0  | 0  | 1 |
|           |                  | Bit No. 4       | 0               | 1   | 1  | 1  | 1  | 1  | 1  | 1  | 1  | 1  | 0 |
|           |                  | Bit No. 3       | 1               | 0   | 0  | 0  | 0  | 1  | 1  | 1  | 1  | 1  | 0 |
|           |                  | Bit No. 2       | 1               | 0   | 0  | 1  | 1  | 0  | 0  | 1  | 1  | 1  | 0 |
| Bit No. 1 |                  | 1               | 0               | 1   | 0  | 1  | 0  | 1  | 0  | 1  | 0  | 1  |   |
| 4         |                  | Interval (min.) | 81              | 82  | 83 | 84 | 85 | 86 | 87 | 88 | 89 | 90 |   |
|           |                  | Bit No. 7       | 1               | 1   | 1  | 1  | 1  | 1  | 1  | 1  | 1  | 1  | 1 |
|           |                  | Bit No. 6       | 0               | 0   | 0  | 0  | 0  | 0  | 0  | 0  | 0  | 0  | 0 |
|           |                  | Bit No. 5       | 1               | 1   | 1  | 1  | 1  | 1  | 1  | 1  | 1  | 1  | 1 |
|           |                  | Bit No. 4       | 0               | 0   | 0  | 0  | 0  | 0  | 0  | 1  | 1  | 1  | 1 |
|           |                  | Bit No. 3       | 0               | 0   | 0  | 1  | 1  | 1  | 1  | 0  | 0  | 0  | 0 |
|           |                  | Bit No. 2       | 0               | 1   | 1  | 0  | 0  | 1  | 1  | 0  | 0  | 1  | 1 |
| Bit No. 1 |                  | 1               | 0               | 1   | 0  | 1  | 0  | 1  | 0  | 1  | 0  | 1  |   |
| 3         |                  | Interval (min.) | 91              | 92  | 93 | 94 | 95 | 96 | 97 | 98 | 99 |    |   |
|           |                  | Bit No. 7       | 1               | 1   | 1  | 1  | 1  | 1  | 1  | 1  | 1  | 1  |   |
|           |                  | Bit No. 6       | 0               | 0   | 0  | 0  | 0  | 1  | 1  | 1  | 1  | 1  |   |
|           |                  | Bit No. 5       | 1               | 1   | 1  | 1  | 1  | 0  | 0  | 0  | 0  | 0  |   |
|           |                  | Bit No. 4       | 1               | 1   | 1  | 1  | 1  | 0  | 0  | 0  | 0  | 0  |   |
|           |                  | Bit No. 3       | 0               | 1   | 1  | 1  | 1  | 0  | 0  | 0  | 0  | 0  |   |
|           |                  | Bit No. 2       | 1               | 0   | 0  | 1  | 1  | 0  | 0  | 1  | 1  | 1  |   |
| Bit No. 1 |                  | 1               | 0               | 1   | 0  | 1  | 0  | 1  | 0  | 1  | 0  | 1  |   |
| 2         |                  | Interval (min.) | 91              | 92  | 93 | 94 | 95 | 96 | 97 | 98 | 99 |    |   |
|           |                  | Bit No. 7       | 1               | 1   | 1  | 1  | 1  | 1  | 1  | 1  | 1  | 1  |   |
|           |                  | Bit No. 6       | 0               | 0   | 0  | 0  | 0  | 1  | 1  | 1  | 1  | 1  |   |
|           |                  | Bit No. 5       | 1               | 1   | 1  | 1  | 1  | 0  | 0  | 0  | 0  | 0  |   |
|           |                  | Bit No. 4       | 1               | 1   | 1  | 1  | 1  | 0  | 0  | 0  | 0  | 0  |   |
|           |                  | Bit No. 3       | 0               | 1   | 1  | 1  | 1  | 0  | 0  | 0  | 0  | 0  |   |
|           |                  | Bit No. 2       | 1               | 0   | 0  | 1  | 1  | 0  | 0  | 1  | 1  | 1  |   |
| Bit No. 1 |                  | 1               | 0               | 1   | 0  | 1  | 0  | 1  | 0  | 1  | 0  | 1  |   |
| 1         |                  | Interval (min.) | 91              | 92  | 93 | 94 | 95 | 96 | 97 | 98 | 99 |    |   |
|           |                  | Bit No. 7       | 1               | 1   | 1  | 1  | 1  | 1  | 1  | 1  | 1  | 1  |   |
|           |                  | Bit No. 6       | 0               | 0   | 0  | 0  | 0  | 1  | 1  | 1  | 1  | 1  |   |
|           |                  | Bit No. 5       | 1               | 1   | 1  | 1  | 1  | 0  | 0  | 0  | 0  | 0  |   |
|           |                  | Bit No. 4       | 1               | 1   | 1  | 1  | 1  | 0  | 0  | 0  | 0  | 0  |   |
|           |                  | Bit No. 3       | 0               | 1   | 1  | 1  | 1  | 0  | 0  | 0  | 0  | 0  |   |
|           |                  | Bit No. 2       | 1               | 0   | 0  | 1  | 1  | 0  | 0  | 1  | 1  | 1  |   |
| Bit No. 1 |                  | 1               | 0               | 1   | 0  | 1  | 0  | 1  | 0  | 1  | 0  | 1  |   |

bizhub C25

ADJUSTMENT / SETTING

14.3.26 SOFT SWITCH: #24 (Part 3)

bizhub C25

| Bit No.   | Designation      | Function        | Initial setting |     |   |   |   |   |   |   |   |   |   |   |   |   |
|-----------|------------------|-----------------|-----------------|-----|---|---|---|---|---|---|---|---|---|---|---|---|
|           |                  |                 | Bit             | HEX |   |   |   |   |   |   |   |   |   |   |   |   |
| 7         | Re-dial interval | Interval (min.) | Reserved        |     |   |   |   |   |   |   |   |   | 0 | 2 |   |   |
|           |                  | Bit No. 7       | 1               | 1   | 1 | 1 | 1 | 1 | 1 | 1 | 1 | 1 |   |   | 1 | 1 |
|           |                  | Bit No. 6       | 1               | 1   | 1 | 1 | 1 | 1 | 1 | 1 | 1 | 1 |   |   | 1 | 1 |
|           |                  | Bit No. 5       | 0               | 0   | 0 | 0 | 0 | 0 | 0 | 0 | 0 | 0 |   |   | 0 | 0 |
|           |                  | Bit No. 4       | 0               | 0   | 0 | 0 | 1 | 1 | 1 | 1 | 1 | 1 |   |   | 1 | 1 |
|           |                  | Bit No. 3       | 1               | 1   | 1 | 1 | 0 | 0 | 0 | 0 | 0 | 1 |   |   | 1 | 1 |
|           |                  | Bit No. 2       | 0               | 0   | 1 | 1 | 0 | 0 | 1 | 1 | 0 | 0 |   |   | 0 | 0 |
| Bit No. 1 |                  | 0               | 1               | 0   | 1 | 0 | 1 | 0 | 1 | 0 | 1 | 0 | 1 |   |   |   |
| 6         |                  | Interval (min.) | Reserved        |     |   |   |   |   |   |   |   |   | 0 |   |   |   |
|           |                  | Bit No. 7       | 1               | 1   | 1 | 1 | 1 | 1 | 1 | 1 | 1 | 1 |   |   | 1 |   |
|           |                  | Bit No. 6       | 1               | 1   | 1 | 1 | 1 | 1 | 1 | 1 | 1 | 1 |   |   | 1 |   |
|           |                  | Bit No. 5       | 0               | 0   | 1 | 1 | 1 | 1 | 1 | 1 | 1 | 1 |   |   | 1 |   |
|           |                  | Bit No. 4       | 1               | 1   | 0 | 0 | 0 | 0 | 0 | 0 | 0 | 0 |   |   | 0 |   |
|           |                  | Bit No. 3       | 1               | 1   | 0 | 0 | 0 | 0 | 1 | 1 | 1 | 1 |   |   | 1 |   |
|           |                  | Bit No. 2       | 1               | 1   | 0 | 0 | 1 | 1 | 0 | 0 | 1 | 1 |   |   | 1 |   |
| Bit No. 1 |                  | 0               | 1               | 0   | 1 | 0 | 1 | 0 | 1 | 0 | 1 | 1 |   |   |   |   |
| 5         |                  | Interval (min.) | Reserved        |     |   |   |   |   |   |   |   |   | 0 |   |   |   |
|           |                  | Bit No. 7       | 1               | 1   | 1 | 1 | 1 | 1 | 1 | 1 | 1 | 1 |   |   | 1 |   |
|           |                  | Bit No. 6       | 1               | 1   | 1 | 1 | 1 | 1 | 1 | 1 | 1 | 1 |   |   | 1 |   |
|           |                  | Bit No. 5       | 0               | 0   | 1 | 1 | 1 | 1 | 1 | 1 | 1 | 1 |   |   | 1 |   |
|           |                  | Bit No. 4       | 1               | 1   | 0 | 0 | 0 | 0 | 1 | 1 | 1 | 1 |   |   | 1 |   |
|           |                  | Bit No. 3       | 1               | 1   | 0 | 0 | 0 | 0 | 1 | 1 | 1 | 1 |   |   | 1 |   |
|           |                  | Bit No. 2       | 1               | 1   | 0 | 0 | 1 | 1 | 0 | 0 | 1 | 1 |   |   | 1 |   |
| Bit No. 1 |                  | 0               | 1               | 0   | 1 | 0 | 1 | 0 | 1 | 0 | 1 | 1 |   |   |   |   |
| 4         |                  | Interval (min.) | Reserved        |     |   |   |   |   |   |   |   |   | 0 |   |   |   |
|           |                  | Bit No. 7       | 1               | 1   | 1 | 1 | 1 | 1 | 1 | 1 | 1 | 1 |   |   | 1 |   |
|           |                  | Bit No. 6       | 1               | 1   | 1 | 1 | 1 | 1 | 1 | 1 | 1 | 1 |   |   | 1 |   |
|           |                  | Bit No. 5       | 0               | 0   | 1 | 1 | 1 | 1 | 1 | 1 | 1 | 1 |   |   | 1 |   |
|           | Bit No. 4        | 1               | 1               | 0   | 0 | 0 | 0 | 1 | 1 | 1 | 1 | 1 |   |   |   |   |
|           | Bit No. 3        | 1               | 1               | 0   | 0 | 0 | 0 | 1 | 1 | 1 | 1 | 1 |   |   |   |   |
|           | Bit No. 2        | 1               | 1               | 0   | 0 | 1 | 1 | 0 | 0 | 1 | 1 | 1 |   |   |   |   |
| Bit No. 1 | 0                | 1               | 0               | 1   | 0 | 1 | 0 | 1 | 0 | 1 | 1 |   |   |   |   |   |
| 3         | Interval (min.)  | Reserved        |                 |     |   |   |   |   |   |   |   | 0 |   |   |   |   |
|           | Bit No. 7        | 1               | 1               | 1   | 1 | 1 | 1 | 1 | 1 | 1 | 1 |   | 1 |   |   |   |
|           | Bit No. 6        | 1               | 1               | 1   | 1 | 1 | 1 | 1 | 1 | 1 | 1 |   | 1 |   |   |   |
|           | Bit No. 5        | 1               | 1               | 1   | 1 | 1 | 1 | 1 | 1 | 1 | 1 |   | 1 |   |   |   |
|           | Bit No. 4        | 1               | 1               | 1   | 1 | 1 | 1 | 1 | 1 | 1 | 1 |   | 1 |   |   |   |
|           | Bit No. 3        | 0               | 0               | 0   | 0 | 1 | 1 | 1 | 1 | 1 | 1 |   | 1 |   |   |   |
|           | Bit No. 2        | 0               | 0               | 1   | 1 | 0 | 0 | 1 | 1 | 1 | 1 |   | 1 |   |   |   |
| Bit No. 1 | 0                | 1               | 0               | 1   | 0 | 1 | 0 | 1 | 0 | 1 | 1 |   |   |   |   |   |
| 2         | Interval (min.)  | Reserved        |                 |     |   |   |   |   |   |   |   | 1 |   |   |   |   |
|           | Bit No. 7        | 1               | 1               | 1   | 1 | 1 | 1 | 1 | 1 | 1 | 1 |   | 1 |   |   |   |
|           | Bit No. 6        | 1               | 1               | 1   | 1 | 1 | 1 | 1 | 1 | 1 | 1 |   | 1 |   |   |   |
|           | Bit No. 5        | 1               | 1               | 1   | 1 | 1 | 1 | 1 | 1 | 1 | 1 |   | 1 |   |   |   |
|           | Bit No. 4        | 1               | 1               | 1   | 1 | 1 | 1 | 1 | 1 | 1 | 1 |   | 1 |   |   |   |
|           | Bit No. 3        | 0               | 0               | 0   | 0 | 1 | 1 | 1 | 1 | 1 | 1 |   | 1 |   |   |   |
|           | Bit No. 2        | 0               | 0               | 1   | 1 | 0 | 0 | 1 | 1 | 1 | 1 |   | 1 |   |   |   |
| Bit No. 1 | 0                | 1               | 0               | 1   | 0 | 1 | 0 | 1 | 0 | 1 | 1 |   |   |   |   |   |
| 1         | Interval (min.)  | Reserved        |                 |     |   |   |   |   |   |   |   | 0 |   |   |   |   |
|           | Bit No. 7        | 1               | 1               | 1   | 1 | 1 | 1 | 1 | 1 | 1 | 1 |   | 1 |   |   |   |
|           | Bit No. 6        | 1               | 1               | 1   | 1 | 1 | 1 | 1 | 1 | 1 | 1 |   | 1 |   |   |   |
|           | Bit No. 5        | 1               | 1               | 1   | 1 | 1 | 1 | 1 | 1 | 1 | 1 |   | 1 |   |   |   |
|           | Bit No. 4        | 1               | 1               | 1   | 1 | 1 | 1 | 1 | 1 | 1 | 1 |   | 1 |   |   |   |
|           | Bit No. 3        | 0               | 0               | 0   | 0 | 1 | 1 | 1 | 1 | 1 | 1 |   | 1 |   |   |   |
|           | Bit No. 2        | 0               | 0               | 1   | 1 | 0 | 0 | 1 | 1 | 1 | 1 |   | 1 |   |   |   |
| Bit No. 1 | 0                | 1               | 0               | 1   | 0 | 1 | 0 | 1 | 0 | 1 | 1 |   |   |   |   |   |

ADJUSTMENT / SETTING



**14.3.27 SOFT SWITCH: #25**

| Bit No.           | Designation                                | Function   | Initial setting   |           |            |           |            |           |           |   |   |   |           |           |   |   |   |   |   |
|-------------------|--|--|-------------------|-----------|------------|-----------|------------|-----------|-----------|---|---|---|-----------|-----------|---|---|---|---|---|
|                   |  |  | Bit               | HEX       |            |           |            |           |           |   |   |   |           |           |   |   |   |   |   |
| 8                 | Reserved                                   | Reserved   | 0                 | 0         |            |           |            |           |           |   |   |   |           |           |   |   |   |   |   |
| 7                 |  |  | 0                 |           |            |           |            |           |           |   |   |   |           |           |   |   |   |   |   |
| 6                 | Delay time to catch line after detect ring | <table border="1"> <tr> <td>Delay time (sec.)</td> <td>0</td> <td>1</td> <td>2</td> <td>3</td> </tr> <tr> <td>Bit No. 6</td> <td>0</td> <td>0</td> <td>1</td> <td>1</td> </tr> <tr> <td>Bit No. 5</td> <td>0</td> <td>1</td> <td>0</td> <td>1</td> </tr> </table>                | Delay time (sec.) |           | 0          | 1         | 2          | 3         | Bit No. 6 | 0 | 0 | 1 | 1         | Bit No. 5 | 0 | 1 | 0 | 1 | 0 |
| Delay time (sec.) |  | 0  | 1                 |           | 2          | 3         |            |           |           |   |   |   |           |           |   |   |   |   |   |
| Bit No. 6         |  | 0  | 0                 |           | 1          | 1         |            |           |           |   |   |   |           |           |   |   |   |   |   |
| Bit No. 5         | 0  | 1  | 0                 |           | 1          |           |            |           |           |   |   |   |           |           |   |   |   |   |   |
| 5                 | 0  |  |                   |           |            |           |            |           |           |   |   |   |           |           |   |   |   |   |   |
| 4                 | Flash key time                             | <table border="1"> <tr> <td>Flash time (ms)</td> <td>100</td> <td>80</td> <td>250</td> <td>600</td> </tr> <tr> <td>Bit No. 4</td> <td>0</td> <td>0</td> <td>1</td> <td>1</td> </tr> <tr> <td>Bit No. 3</td> <td>0</td> <td>1</td> <td>0</td> <td>1</td> </tr> </table>           | Flash time (ms)   |           | 100        | 80        | 250        | 600       | Bit No. 4 | 0 | 0 | 1 | 1         | Bit No. 3 | 0 | 1 | 0 | 1 | 0 |
| Flash time (ms)   |  | 100  | 80                | 250       | 600        |           |            |           |           |   |   |   |           |           |   |   |   |   |   |
| Bit No. 4         |  | 0  | 0                 | 1         | 1          |           |            |           |           |   |   |   |           |           |   |   |   |   |   |
| Bit No. 3         | 0  | 1  | 0                 | 1         |            |           |            |           |           |   |   |   |           |           |   |   |   |   |   |
| 3                 | 0  |  |                   |           |            |           |            |           |           |   |   |   |           |           |   |   |   |   |   |
| 2                 | RX gain adjustment                         | <table border="1"> <tr> <td></td> <td>No gain</td> <td>Up 0.75 dB</td> <td>Up 1.5 dB</td> <td>Up 2.25 dB</td> </tr> <tr> <td>Bit No. 2</td> <td>0</td> <td>0</td> <td>1</td> <td>1</td> </tr> <tr> <td>Bit No. 1</td> <td>0</td> <td>1</td> <td>0</td> <td>1</td> </tr> </table> |                   | No gain   | Up 0.75 dB | Up 1.5 dB | Up 2.25 dB | Bit No. 2 | 0         | 0 | 1 | 1 | Bit No. 1 | 0         | 1 | 0 | 1 | 1 |   |
|                   |  | No gain  | Up 0.75 dB        | Up 1.5 dB | Up 2.25 dB |           |            |           |           |   |   |   |           |           |   |   |   |   |   |
| Bit No. 2         |  | 0  | 0                 | 1         | 1          |           |            |           |           |   |   |   |           |           |   |   |   |   |   |
| Bit No. 1         | 0  | 1  | 0                 | 1         |            |           |            |           |           |   |   |   |           |           |   |   |   |   |   |
| 1                 | 0  |  |                   |           |            |           |            |           |           |   |   |   |           |           |   |   |   |   |   |

**14.3.28 SOFT SWITCH: #26**

| Bit No.         | Designation                                  | Function  | Initial setting |     |    |    |    |           |   |   |   |   |           |   |   |   |   |   |   |
|-----------------|--|---|-----------------|-----|----|----|----|-----------|---|---|---|---|-----------|---|---|---|---|---|---|
|                 |  |   | Bit             | HEX |    |    |    |           |   |   |   |   |           |   |   |   |   |   |   |
| 8               | Dial tone detection time before disconnected | <table border="1"> <tr> <td>Time (unit=sec)</td> <td>10</td> <td>15</td> <td>20</td> <td>25</td> </tr> <tr> <td>Bit No. 8</td> <td>0</td> <td>0</td> <td>1</td> <td>1</td> </tr> <tr> <td>Bit No. 7</td> <td>0</td> <td>1</td> <td>0</td> <td>1</td> </tr> </table> | Time (unit=sec) | 10  | 15 | 20 | 25 | Bit No. 8 | 0 | 0 | 1 | 1 | Bit No. 7 | 0 | 1 | 0 | 1 | 0 | 0 |
| Time (unit=sec) |  | 10  | 15              | 20  | 25 |    |    |           |   |   |   |   |           |   |   |   |   |   |   |
| Bit No. 8       |  | 0   | 0               | 1   | 1  |    |    |           |   |   |   |   |           |   |   |   |   |   |   |
| Bit No. 7       | 0  | 1   | 0               | 1   |    |    |    |           |   |   |   |   |           |   |   |   |   |   |   |
| 7               | 0  |   |                 |     |    |    |    |           |   |   |   |   |           |   |   |   |   |   |   |
| 6               | 0  |   |                 |     |    |    |    |           |   |   |   |   |           |   |   |   |   |   |   |
| 5               | Reserved                                     | Reserved  | 0               | 0   |    |    |    |           |   |   |   |   |           |   |   |   |   |   |   |
| 4               |  |   | 0               |     |    |    |    |           |   |   |   |   |           |   |   |   |   |   |   |
| 3               |  |   | 0               |     |    |    |    |           |   |   |   |   |           |   |   |   |   |   |   |
| 2               |  |   | 0               |     |    |    |    |           |   |   |   |   |           |   |   |   |   |   |   |
| 1               |  |   | 0               |     |    |    |    |           |   |   |   |   |           |   |   |   |   |   |   |

**14.3.29 SOFT SWITCH: #27**

| Bit No. | Designation | Function | Initial setting |     |
|---------|-------------|----------|-----------------|-----|
|         |             |          | Bit             | HEX |
| 8       | Reserved    | Reserved | 0               | 0   |
| 7       |             |          | 0               |     |
| 6       |             |          | 0               |     |
| 5       |             |          | 0               |     |
| 4       |             |          | 0               | 0   |
| 3       |             |          | 0               |     |
| 2       |             |          | 0               |     |
| 1       |             |          | 0               |     |

**14.3.30 SOFT SWITCH: #28**

| Bit No.   | Designation   | Function  | Initial setting |      |      |      |      |      |      |      |           |           |   |   |   |   |   |   |   |           |           |   |   |   |   |   |   |   |           |           |   |   |   |   |   |   |   |           |           |   |   |   |   |   |   |   |   |   |   |
|-----------|---|---|-----------------|------|------|------|------|------|------|------|-----------|-----------|---|---|---|---|---|---|---|-----------|-----------|---|---|---|---|---|---|---|-----------|-----------|---|---|---|---|---|---|---|-----------|-----------|---|---|---|---|---|---|---|---|---|---|
|           |   |   | Bit             | HEX  |      |      |      |      |      |      |           |           |   |   |   |   |   |   |   |           |           |   |   |   |   |   |   |   |           |           |   |   |   |   |   |   |   |           |           |   |   |   |   |   |   |   |   |   |   |
| 8         | Time to dial after dial tone on the line  | <table border="1"> <tr><td>Time (ms)</td><td>0</td><td>100</td><td>200</td><td>300</td><td>400</td><td>500</td><td>600</td><td>700</td></tr> <tr><td>Bit No. 8</td><td>0</td><td>0</td><td>0</td><td>0</td><td>0</td><td>0</td><td>0</td><td>0</td></tr> <tr><td>Bit No. 7</td><td>0</td><td>0</td><td>0</td><td>0</td><td>1</td><td>1</td><td>1</td><td>1</td></tr> <tr><td>Bit No. 6</td><td>0</td><td>0</td><td>1</td><td>1</td><td>0</td><td>0</td><td>1</td><td>1</td></tr> <tr><td>Bit No. 5</td><td>0</td><td>1</td><td>0</td><td>1</td><td>0</td><td>1</td><td>0</td><td>1</td></tr> </table>         | Time (ms)       | 0    | 100  | 200  | 300  | 400  | 500  | 600  | 700       | Bit No. 8 | 0 | 0 | 0 | 0 | 0 | 0 | 0 | 0         | Bit No. 7 | 0 | 0 | 0 | 0 | 1 | 1 | 1 | 1         | Bit No. 6 | 0 | 0 | 1 | 1 | 0 | 0 | 1 | 1         | Bit No. 5 | 0 | 1 | 0 | 1 | 0 | 1 | 0 | 1 | 1 | A |
| Time (ms) |   | 0   | 100             | 200  | 300  | 400  | 500  | 600  | 700  |      |           |           |   |   |   |   |   |   |   |           |           |   |   |   |   |   |   |   |           |           |   |   |   |   |   |   |   |           |           |   |   |   |   |   |   |   |   |   |   |
| Bit No. 8 |   | 0   | 0               | 0    | 0    | 0    | 0    | 0    | 0    |      |           |           |   |   |   |   |   |   |   |           |           |   |   |   |   |   |   |   |           |           |   |   |   |   |   |   |   |           |           |   |   |   |   |   |   |   |   |   |   |
| Bit No. 7 |   | 0   | 0               | 0    | 0    | 1    | 1    | 1    | 1    |      |           |           |   |   |   |   |   |   |   |           |           |   |   |   |   |   |   |   |           |           |   |   |   |   |   |   |   |           |           |   |   |   |   |   |   |   |   |   |   |
| Bit No. 6 |   | 0   | 0               | 1    | 1    | 0    | 0    | 1    | 1    |      |           |           |   |   |   |   |   |   |   |           |           |   |   |   |   |   |   |   |           |           |   |   |   |   |   |   |   |           |           |   |   |   |   |   |   |   |   |   |   |
| Bit No. 5 |   | 0   | 1               | 0    | 1    | 0    | 1    | 0    | 1    |      |           |           |   |   |   |   |   |   |   |           |           |   |   |   |   |   |   |   |           |           |   |   |   |   |   |   |   |           |           |   |   |   |   |   |   |   |   |   |   |
| 7         |   | <table border="1"> <tr><td>Time (ms)</td><td>800</td><td>900</td><td>1000</td><td>1100</td><td>1200</td><td>1300</td><td>1400</td><td>1500</td></tr> <tr><td>Bit No. 8</td><td>1</td><td>1</td><td>1</td><td>1</td><td>1</td><td>1</td><td>1</td><td>1</td></tr> <tr><td>Bit No. 7</td><td>0</td><td>0</td><td>0</td><td>0</td><td>1</td><td>1</td><td>1</td><td>1</td></tr> <tr><td>Bit No. 6</td><td>0</td><td>0</td><td>1</td><td>1</td><td>0</td><td>0</td><td>1</td><td>1</td></tr> <tr><td>Bit No. 5</td><td>0</td><td>1</td><td>0</td><td>1</td><td>0</td><td>1</td><td>0</td><td>1</td></tr> </table> | Time (ms)       | 800  | 900  | 1000 | 1100 | 1200 | 1300 | 1400 | 1500      | Bit No. 8 | 1 | 1 | 1 | 1 | 1 | 1 | 1 | 1         | Bit No. 7 | 0 | 0 | 0 | 0 | 1 | 1 | 1 | 1         | Bit No. 6 | 0 | 0 | 1 | 1 | 0 | 0 | 1 | 1         | Bit No. 5 | 0 | 1 | 0 | 1 | 0 | 1 | 0 | 1 | 0 |   |
| Time (ms) |   | 800   | 900             | 1000 | 1100 | 1200 | 1300 | 1400 | 1500 |      |           |           |   |   |   |   |   |   |   |           |           |   |   |   |   |   |   |   |           |           |   |   |   |   |   |   |   |           |           |   |   |   |   |   |   |   |   |   |   |
| Bit No. 8 | 1   | 1   | 1               | 1    | 1    | 1    | 1    | 1    |      |      |           |           |   |   |   |   |   |   |   |           |           |   |   |   |   |   |   |   |           |           |   |   |   |   |   |   |   |           |           |   |   |   |   |   |   |   |   |   |   |
| Bit No. 7 | 0   | 0   | 0               | 0    | 1    | 1    | 1    | 1    |      |      |           |           |   |   |   |   |   |   |   |           |           |   |   |   |   |   |   |   |           |           |   |   |   |   |   |   |   |           |           |   |   |   |   |   |   |   |   |   |   |
| Bit No. 6 | 0   | 0   | 1               | 1    | 0    | 0    | 1    | 1    |      |      |           |           |   |   |   |   |   |   |   |           |           |   |   |   |   |   |   |   |           |           |   |   |   |   |   |   |   |           |           |   |   |   |   |   |   |   |   |   |   |
| Bit No. 5 | 0   | 1   | 0               | 1    | 0    | 1    | 0    | 1    |      |      |           |           |   |   |   |   |   |   |   |           |           |   |   |   |   |   |   |   |           |           |   |   |   |   |   |   |   |           |           |   |   |   |   |   |   |   |   |   |   |
| 6         | <table border="1"> <tr><td>Time (ms)</td><td>800</td><td>900</td><td>1000</td><td>1100</td><td>1200</td><td>1300</td><td>1400</td><td>1500</td></tr> <tr><td>Bit No. 8</td><td>1</td><td>1</td><td>1</td><td>1</td><td>1</td><td>1</td><td>1</td><td>1</td></tr> <tr><td>Bit No. 7</td><td>0</td><td>0</td><td>0</td><td>0</td><td>1</td><td>1</td><td>1</td><td>1</td></tr> <tr><td>Bit No. 6</td><td>0</td><td>0</td><td>1</td><td>1</td><td>0</td><td>0</td><td>1</td><td>1</td></tr> <tr><td>Bit No. 5</td><td>0</td><td>1</td><td>0</td><td>1</td><td>0</td><td>1</td><td>0</td><td>1</td></tr> </table> | Time (ms)   | 800             | 900  | 1000 | 1100 | 1200 | 1300 | 1400 | 1500 | Bit No. 8 | 1         | 1 | 1 | 1 | 1 | 1 | 1 | 1 | Bit No. 7 | 0         | 0 | 0 | 0 | 1 | 1 | 1 | 1 | Bit No. 6 | 0         | 0 | 1 | 1 | 0 | 0 | 1 | 1 | Bit No. 5 | 0         | 1 | 0 | 1 | 0 | 1 | 0 | 1 | 1 |   |   |
| Time (ms) | 800   | 900   | 1000            | 1100 | 1200 | 1300 | 1400 | 1500 |      |      |           |           |   |   |   |   |   |   |   |           |           |   |   |   |   |   |   |   |           |           |   |   |   |   |   |   |   |           |           |   |   |   |   |   |   |   |   |   |   |
| Bit No. 8 | 1   | 1   | 1               | 1    | 1    | 1    | 1    | 1    |      |      |           |           |   |   |   |   |   |   |   |           |           |   |   |   |   |   |   |   |           |           |   |   |   |   |   |   |   |           |           |   |   |   |   |   |   |   |   |   |   |
| Bit No. 7 | 0   | 0   | 0               | 0    | 1    | 1    | 1    | 1    |      |      |           |           |   |   |   |   |   |   |   |           |           |   |   |   |   |   |   |   |           |           |   |   |   |   |   |   |   |           |           |   |   |   |   |   |   |   |   |   |   |
| Bit No. 6 | 0   | 0   | 1               | 1    | 0    | 0    | 1    | 1    |      |      |           |           |   |   |   |   |   |   |   |           |           |   |   |   |   |   |   |   |           |           |   |   |   |   |   |   |   |           |           |   |   |   |   |   |   |   |   |   |   |
| Bit No. 5 | 0   | 1   | 0               | 1    | 0    | 1    | 0    | 1    |      |      |           |           |   |   |   |   |   |   |   |           |           |   |   |   |   |   |   |   |           |           |   |   |   |   |   |   |   |           |           |   |   |   |   |   |   |   |   |   |   |
| 5         | <table border="1"> <tr><td>Time (ms)</td><td>800</td><td>900</td><td>1000</td><td>1100</td><td>1200</td><td>1300</td><td>1400</td><td>1500</td></tr> <tr><td>Bit No. 8</td><td>1</td><td>1</td><td>1</td><td>1</td><td>1</td><td>1</td><td>1</td><td>1</td></tr> <tr><td>Bit No. 7</td><td>0</td><td>0</td><td>0</td><td>0</td><td>1</td><td>1</td><td>1</td><td>1</td></tr> <tr><td>Bit No. 6</td><td>0</td><td>0</td><td>1</td><td>1</td><td>0</td><td>0</td><td>1</td><td>1</td></tr> <tr><td>Bit No. 5</td><td>0</td><td>1</td><td>0</td><td>1</td><td>0</td><td>1</td><td>0</td><td>1</td></tr> </table> | Time (ms)   | 800             | 900  | 1000 | 1100 | 1200 | 1300 | 1400 | 1500 | Bit No. 8 | 1         | 1 | 1 | 1 | 1 | 1 | 1 | 1 | Bit No. 7 | 0         | 0 | 0 | 0 | 1 | 1 | 1 | 1 | Bit No. 6 | 0         | 0 | 1 | 1 | 0 | 0 | 1 | 1 | Bit No. 5 | 0         | 1 | 0 | 1 | 0 | 1 | 0 | 1 | 0 |   |   |
| Time (ms) | 800   | 900   | 1000            | 1100 | 1200 | 1300 | 1400 | 1500 |      |      |           |           |   |   |   |   |   |   |   |           |           |   |   |   |   |   |   |   |           |           |   |   |   |   |   |   |   |           |           |   |   |   |   |   |   |   |   |   |   |
| Bit No. 8 | 1   | 1   | 1               | 1    | 1    | 1    | 1    | 1    |      |      |           |           |   |   |   |   |   |   |   |           |           |   |   |   |   |   |   |   |           |           |   |   |   |   |   |   |   |           |           |   |   |   |   |   |   |   |   |   |   |
| Bit No. 7 | 0   | 0   | 0               | 0    | 1    | 1    | 1    | 1    |      |      |           |           |   |   |   |   |   |   |   |           |           |   |   |   |   |   |   |   |           |           |   |   |   |   |   |   |   |           |           |   |   |   |   |   |   |   |   |   |   |
| Bit No. 6 | 0   | 0   | 1               | 1    | 0    | 0    | 1    | 1    |      |      |           |           |   |   |   |   |   |   |   |           |           |   |   |   |   |   |   |   |           |           |   |   |   |   |   |   |   |           |           |   |   |   |   |   |   |   |   |   |   |
| Bit No. 5 | 0   | 1   | 0               | 1    | 0    | 1    | 0    | 1    |      |      |           |           |   |   |   |   |   |   |   |           |           |   |   |   |   |   |   |   |           |           |   |   |   |   |   |   |   |           |           |   |   |   |   |   |   |   |   |   |   |
| 4         | CED duration time within calling period   | <table border="1"> <tr><td>Time (ms)</td><td>0</td><td>100</td><td>200</td><td>300</td><td>400</td><td>500</td><td>600</td><td>700</td></tr> <tr><td>Bit No. 4</td><td>0</td><td>0</td><td>0</td><td>0</td><td>0</td><td>0</td><td>0</td><td>0</td></tr> <tr><td>Bit No. 3</td><td>0</td><td>0</td><td>0</td><td>0</td><td>1</td><td>1</td><td>1</td><td>1</td></tr> <tr><td>Bit No. 2</td><td>0</td><td>0</td><td>1</td><td>1</td><td>0</td><td>0</td><td>1</td><td>1</td></tr> <tr><td>Bit No. 1</td><td>0</td><td>1</td><td>0</td><td>1</td><td>0</td><td>1</td><td>0</td><td>1</td></tr> </table>         | Time (ms)       | 0    | 100  | 200  | 300  | 400  | 500  | 600  | 700       | Bit No. 4 | 0 | 0 | 0 | 0 | 0 | 0 | 0 | 0         | Bit No. 3 | 0 | 0 | 0 | 0 | 1 | 1 | 1 | 1         | Bit No. 2 | 0 | 0 | 1 | 1 | 0 | 0 | 1 | 1         | Bit No. 1 | 0 | 1 | 0 | 1 | 0 | 1 | 0 | 1 | 0 | 7 |
| Time (ms) |   | 0   | 100             | 200  | 300  | 400  | 500  | 600  | 700  |      |           |           |   |   |   |   |   |   |   |           |           |   |   |   |   |   |   |   |           |           |   |   |   |   |   |   |   |           |           |   |   |   |   |   |   |   |   |   |   |
| Bit No. 4 |   | 0   | 0               | 0    | 0    | 0    | 0    | 0    | 0    |      |           |           |   |   |   |   |   |   |   |           |           |   |   |   |   |   |   |   |           |           |   |   |   |   |   |   |   |           |           |   |   |   |   |   |   |   |   |   |   |
| Bit No. 3 |   | 0   | 0               | 0    | 0    | 1    | 1    | 1    | 1    |      |           |           |   |   |   |   |   |   |   |           |           |   |   |   |   |   |   |   |           |           |   |   |   |   |   |   |   |           |           |   |   |   |   |   |   |   |   |   |   |
| Bit No. 2 |   | 0   | 0               | 1    | 1    | 0    | 0    | 1    | 1    |      |           |           |   |   |   |   |   |   |   |           |           |   |   |   |   |   |   |   |           |           |   |   |   |   |   |   |   |           |           |   |   |   |   |   |   |   |   |   |   |
| Bit No. 1 |   | 0   | 1               | 0    | 1    | 0    | 1    | 0    | 1    |      |           |           |   |   |   |   |   |   |   |           |           |   |   |   |   |   |   |   |           |           |   |   |   |   |   |   |   |           |           |   |   |   |   |   |   |   |   |   |   |
| 3         |   | <table border="1"> <tr><td>Time (ms)</td><td>800</td><td>900</td><td>1000</td><td>1100</td><td>1200</td><td>1300</td><td>1400</td><td>1500</td></tr> <tr><td>Bit No. 4</td><td>1</td><td>1</td><td>1</td><td>1</td><td>1</td><td>1</td><td>1</td><td>1</td></tr> <tr><td>Bit No. 3</td><td>0</td><td>0</td><td>0</td><td>0</td><td>1</td><td>1</td><td>1</td><td>1</td></tr> <tr><td>Bit No. 2</td><td>0</td><td>0</td><td>1</td><td>1</td><td>0</td><td>0</td><td>1</td><td>1</td></tr> <tr><td>Bit No. 1</td><td>0</td><td>1</td><td>0</td><td>1</td><td>0</td><td>1</td><td>0</td><td>1</td></tr> </table> | Time (ms)       | 800  | 900  | 1000 | 1100 | 1200 | 1300 | 1400 | 1500      | Bit No. 4 | 1 | 1 | 1 | 1 | 1 | 1 | 1 | 1         | Bit No. 3 | 0 | 0 | 0 | 0 | 1 | 1 | 1 | 1         | Bit No. 2 | 0 | 0 | 1 | 1 | 0 | 0 | 1 | 1         | Bit No. 1 | 0 | 1 | 0 | 1 | 0 | 1 | 0 | 1 | 1 |   |
| Time (ms) |   | 800   | 900             | 1000 | 1100 | 1200 | 1300 | 1400 | 1500 |      |           |           |   |   |   |   |   |   |   |           |           |   |   |   |   |   |   |   |           |           |   |   |   |   |   |   |   |           |           |   |   |   |   |   |   |   |   |   |   |
| Bit No. 4 | 1   | 1   | 1               | 1    | 1    | 1    | 1    | 1    |      |      |           |           |   |   |   |   |   |   |   |           |           |   |   |   |   |   |   |   |           |           |   |   |   |   |   |   |   |           |           |   |   |   |   |   |   |   |   |   |   |
| Bit No. 3 | 0   | 0   | 0               | 0    | 1    | 1    | 1    | 1    |      |      |           |           |   |   |   |   |   |   |   |           |           |   |   |   |   |   |   |   |           |           |   |   |   |   |   |   |   |           |           |   |   |   |   |   |   |   |   |   |   |
| Bit No. 2 | 0   | 0   | 1               | 1    | 0    | 0    | 1    | 1    |      |      |           |           |   |   |   |   |   |   |   |           |           |   |   |   |   |   |   |   |           |           |   |   |   |   |   |   |   |           |           |   |   |   |   |   |   |   |   |   |   |
| Bit No. 1 | 0   | 1   | 0               | 1    | 0    | 1    | 0    | 1    |      |      |           |           |   |   |   |   |   |   |   |           |           |   |   |   |   |   |   |   |           |           |   |   |   |   |   |   |   |           |           |   |   |   |   |   |   |   |   |   |   |
| 2         | <table border="1"> <tr><td>Time (ms)</td><td>800</td><td>900</td><td>1000</td><td>1100</td><td>1200</td><td>1300</td><td>1400</td><td>1500</td></tr> <tr><td>Bit No. 4</td><td>1</td><td>1</td><td>1</td><td>1</td><td>1</td><td>1</td><td>1</td><td>1</td></tr> <tr><td>Bit No. 3</td><td>0</td><td>0</td><td>0</td><td>0</td><td>1</td><td>1</td><td>1</td><td>1</td></tr> <tr><td>Bit No. 2</td><td>0</td><td>0</td><td>1</td><td>1</td><td>0</td><td>0</td><td>1</td><td>1</td></tr> <tr><td>Bit No. 1</td><td>0</td><td>1</td><td>0</td><td>1</td><td>0</td><td>1</td><td>0</td><td>1</td></tr> </table> | Time (ms)   | 800             | 900  | 1000 | 1100 | 1200 | 1300 | 1400 | 1500 | Bit No. 4 | 1         | 1 | 1 | 1 | 1 | 1 | 1 | 1 | Bit No. 3 | 0         | 0 | 0 | 0 | 1 | 1 | 1 | 1 | Bit No. 2 | 0         | 0 | 1 | 1 | 0 | 0 | 1 | 1 | Bit No. 1 | 0         | 1 | 0 | 1 | 0 | 1 | 0 | 1 | 1 |   |   |
| Time (ms) | 800   | 900   | 1000            | 1100 | 1200 | 1300 | 1400 | 1500 |      |      |           |           |   |   |   |   |   |   |   |           |           |   |   |   |   |   |   |   |           |           |   |   |   |   |   |   |   |           |           |   |   |   |   |   |   |   |   |   |   |
| Bit No. 4 | 1   | 1   | 1               | 1    | 1    | 1    | 1    | 1    |      |      |           |           |   |   |   |   |   |   |   |           |           |   |   |   |   |   |   |   |           |           |   |   |   |   |   |   |   |           |           |   |   |   |   |   |   |   |   |   |   |
| Bit No. 3 | 0   | 0   | 0               | 0    | 1    | 1    | 1    | 1    |      |      |           |           |   |   |   |   |   |   |   |           |           |   |   |   |   |   |   |   |           |           |   |   |   |   |   |   |   |           |           |   |   |   |   |   |   |   |   |   |   |
| Bit No. 2 | 0   | 0   | 1               | 1    | 0    | 0    | 1    | 1    |      |      |           |           |   |   |   |   |   |   |   |           |           |   |   |   |   |   |   |   |           |           |   |   |   |   |   |   |   |           |           |   |   |   |   |   |   |   |   |   |   |
| Bit No. 1 | 0   | 1   | 0               | 1    | 0    | 1    | 0    | 1    |      |      |           |           |   |   |   |   |   |   |   |           |           |   |   |   |   |   |   |   |           |           |   |   |   |   |   |   |   |           |           |   |   |   |   |   |   |   |   |   |   |
| 1         | <table border="1"> <tr><td>Time (ms)</td><td>800</td><td>900</td><td>1000</td><td>1100</td><td>1200</td><td>1300</td><td>1400</td><td>1500</td></tr> <tr><td>Bit No. 4</td><td>1</td><td>1</td><td>1</td><td>1</td><td>1</td><td>1</td><td>1</td><td>1</td></tr> <tr><td>Bit No. 3</td><td>0</td><td>0</td><td>0</td><td>0</td><td>1</td><td>1</td><td>1</td><td>1</td></tr> <tr><td>Bit No. 2</td><td>0</td><td>0</td><td>1</td><td>1</td><td>0</td><td>0</td><td>1</td><td>1</td></tr> <tr><td>Bit No. 1</td><td>0</td><td>1</td><td>0</td><td>1</td><td>0</td><td>1</td><td>0</td><td>1</td></tr> </table> | Time (ms)   | 800             | 900  | 1000 | 1100 | 1200 | 1300 | 1400 | 1500 | Bit No. 4 | 1         | 1 | 1 | 1 | 1 | 1 | 1 | 1 | Bit No. 3 | 0         | 0 | 0 | 0 | 1 | 1 | 1 | 1 | Bit No. 2 | 0         | 0 | 1 | 1 | 0 | 0 | 1 | 1 | Bit No. 1 | 0         | 1 | 0 | 1 | 0 | 1 | 0 | 1 | 1 |   |   |
| Time (ms) | 800   | 900   | 1000            | 1100 | 1200 | 1300 | 1400 | 1500 |      |      |           |           |   |   |   |   |   |   |   |           |           |   |   |   |   |   |   |   |           |           |   |   |   |   |   |   |   |           |           |   |   |   |   |   |   |   |   |   |   |
| Bit No. 4 | 1   | 1   | 1               | 1    | 1    | 1    | 1    | 1    |      |      |           |           |   |   |   |   |   |   |   |           |           |   |   |   |   |   |   |   |           |           |   |   |   |   |   |   |   |           |           |   |   |   |   |   |   |   |   |   |   |
| Bit No. 3 | 0   | 0   | 0               | 0    | 1    | 1    | 1    | 1    |      |      |           |           |   |   |   |   |   |   |   |           |           |   |   |   |   |   |   |   |           |           |   |   |   |   |   |   |   |           |           |   |   |   |   |   |   |   |   |   |   |
| Bit No. 2 | 0   | 0   | 1               | 1    | 0    | 0    | 1    | 1    |      |      |           |           |   |   |   |   |   |   |   |           |           |   |   |   |   |   |   |   |           |           |   |   |   |   |   |   |   |           |           |   |   |   |   |   |   |   |   |   |   |
| Bit No. 1 | 0   | 1   | 0               | 1    | 0    | 1    | 0    | 1    |      |      |           |           |   |   |   |   |   |   |   |           |           |   |   |   |   |   |   |   |           |           |   |   |   |   |   |   |   |           |           |   |   |   |   |   |   |   |   |   |   |

- Bit 4-1: The CED duration time level for automatic transmission

14.3.31 SOFT SWITCH: #29

| Bit No.    | Designation  | Function   | Initial setting |     |           |     |     |           |     |     |           |     |           |           |   |   |           |   |   |   |   |   |   |           |           |   |   |   |   |   |   |   |   |   |           |           |   |   |   |   |   |   |   |   |   |           |           |   |   |   |   |   |   |   |   |   |           |           |   |   |   |   |   |   |   |   |   |   |   |   |
|------------|--|--|-----------------|-----|-----------|-----|-----|-----------|-----|-----|-----------|-----|-----------|-----------|---|---|-----------|---|---|---|---|---|---|-----------|-----------|---|---|---|---|---|---|---|---|---|-----------|-----------|---|---|---|---|---|---|---|---|---|-----------|-----------|---|---|---|---|---|---|---|---|---|-----------|-----------|---|---|---|---|---|---|---|---|---|---|---|---|
|            |  |  | Bit             | HEX |           |     |     |           |     |     |           |     |           |           |   |   |           |   |   |   |   |   |   |           |           |   |   |   |   |   |   |   |   |   |           |           |   |   |   |   |   |   |   |   |   |           |           |   |   |   |   |   |   |   |   |   |           |           |   |   |   |   |   |   |   |   |   |   |   |   |
| 8          | Reserved   | Reserved   | 0               | 1   |           |     |     |           |     |     |           |     |           |           |   |   |           |   |   |   |   |   |   |           |           |   |   |   |   |   |   |   |   |   |           |           |   |   |   |   |   |   |   |   |   |           |           |   |   |   |   |   |   |   |   |   |           |           |   |   |   |   |   |   |   |   |   |   |   |   |
| 7          |  |  | 0               |     |           |     |     |           |     |     |           |     |           |           |   |   |           |   |   |   |   |   |   |           |           |   |   |   |   |   |   |   |   |   |           |           |   |   |   |   |   |   |   |   |   |           |           |   |   |   |   |   |   |   |   |   |           |           |   |   |   |   |   |   |   |   |   |   |   |   |
| 6          |  |  | 0               |     |           |     |     |           |     |     |           |     |           |           |   |   |           |   |   |   |   |   |   |           |           |   |   |   |   |   |   |   |   |   |           |           |   |   |   |   |   |   |   |   |   |           |           |   |   |   |   |   |   |   |   |   |           |           |   |   |   |   |   |   |   |   |   |   |   |   |
| 5          | Time to dial after seize the line when dial tone detection<br>(Unit= 200 msec)   | <table border="1"> <tr><td>Time (sec)</td><td>0</td><td>0.2</td><td>0.4</td><td>0.6</td><td>0.8</td><td>1.0</td><td>1.2</td><td>1.4</td><td>1.6</td><td>1.8</td></tr> <tr><td>Bit No. 5</td><td>0</td><td>0</td><td>0</td><td>0</td><td>0</td><td>0</td><td>0</td><td>0</td><td>0</td><td>0</td></tr> <tr><td>Bit No. 4</td><td>0</td><td>0</td><td>0</td><td>0</td><td>0</td><td>0</td><td>0</td><td>0</td><td>1</td><td>1</td></tr> <tr><td>Bit No. 3</td><td>0</td><td>0</td><td>0</td><td>0</td><td>1</td><td>1</td><td>1</td><td>1</td><td>1</td><td>0</td></tr> <tr><td>Bit No. 2</td><td>0</td><td>0</td><td>1</td><td>1</td><td>0</td><td>0</td><td>1</td><td>1</td><td>1</td><td>0</td></tr> <tr><td>Bit No. 1</td><td>0</td><td>1</td><td>0</td><td>1</td><td>0</td><td>1</td><td>0</td><td>1</td><td>0</td><td>1</td></tr> </table>   | Time (sec)      | 0   | 0.2       | 0.4 | 0.6 | 0.8       | 1.0 | 1.2 | 1.4       | 1.6 | 1.8       | Bit No. 5 | 0 | 0 | 0         | 0 | 0 | 0 | 0 | 0 | 0 | 0         | Bit No. 4 | 0 | 0 | 0 | 0 | 0 | 0 | 0 | 0 | 1 | 1         | Bit No. 3 | 0 | 0 | 0 | 0 | 1 | 1 | 1 | 1 | 1 | 0         | Bit No. 2 | 0 | 0 | 1 | 1 | 0 | 0 | 1 | 1 | 1 | 0         | Bit No. 1 | 0 | 1 | 0 | 1 | 0 | 1 | 0 | 1 | 0 | 1 | 1 | 4 |
| Time (sec) |  | 0  | 0.2             | 0.4 | 0.6       | 0.8 | 1.0 | 1.2       | 1.4 | 1.6 | 1.8       |     |           |           |   |   |           |   |   |   |   |   |   |           |           |   |   |   |   |   |   |   |   |   |           |           |   |   |   |   |   |   |   |   |   |           |           |   |   |   |   |   |   |   |   |   |           |           |   |   |   |   |   |   |   |   |   |   |   |   |
| Bit No. 5  |  | 0  | 0               | 0   | 0         | 0   | 0   | 0         | 0   | 0   | 0         |     |           |           |   |   |           |   |   |   |   |   |   |           |           |   |   |   |   |   |   |   |   |   |           |           |   |   |   |   |   |   |   |   |   |           |           |   |   |   |   |   |   |   |   |   |           |           |   |   |   |   |   |   |   |   |   |   |   |   |
| Bit No. 4  |  | 0  | 0               | 0   | 0         | 0   | 0   | 0         | 0   | 1   | 1         |     |           |           |   |   |           |   |   |   |   |   |   |           |           |   |   |   |   |   |   |   |   |   |           |           |   |   |   |   |   |   |   |   |   |           |           |   |   |   |   |   |   |   |   |   |           |           |   |   |   |   |   |   |   |   |   |   |   |   |
| Bit No. 3  |  | 0  | 0               | 0   | 0         | 1   | 1   | 1         | 1   | 1   | 0         |     |           |           |   |   |           |   |   |   |   |   |   |           |           |   |   |   |   |   |   |   |   |   |           |           |   |   |   |   |   |   |   |   |   |           |           |   |   |   |   |   |   |   |   |   |           |           |   |   |   |   |   |   |   |   |   |   |   |   |
| Bit No. 2  |  | 0  | 0               | 1   | 1         | 0   | 0   | 1         | 1   | 1   | 0         |     |           |           |   |   |           |   |   |   |   |   |   |           |           |   |   |   |   |   |   |   |   |   |           |           |   |   |   |   |   |   |   |   |   |           |           |   |   |   |   |   |   |   |   |   |           |           |   |   |   |   |   |   |   |   |   |   |   |   |
| Bit No. 1  |  | 0  | 1               | 0   | 1         | 0   | 1   | 0         | 1   | 0   | 1         |     |           |           |   |   |           |   |   |   |   |   |   |           |           |   |   |   |   |   |   |   |   |   |           |           |   |   |   |   |   |   |   |   |   |           |           |   |   |   |   |   |   |   |   |   |           |           |   |   |   |   |   |   |   |   |   |   |   |   |
| 4          |  | <table border="1"> <tr><td>Time (sec)</td><td>2.0</td><td>2.2</td><td>2.4</td><td>2.6</td><td>2.8</td><td>3.0</td><td>3.2</td><td>3.4</td><td>3.6</td><td>3.8</td></tr> <tr><td>Bit No. 5</td><td>0</td><td>0</td><td>0</td><td>0</td><td>0</td><td>0</td><td>1</td><td>1</td><td>1</td><td>1</td></tr> <tr><td>Bit No. 4</td><td>1</td><td>1</td><td>1</td><td>1</td><td>1</td><td>1</td><td>0</td><td>0</td><td>0</td><td>0</td></tr> <tr><td>Bit No. 3</td><td>0</td><td>0</td><td>1</td><td>1</td><td>1</td><td>1</td><td>0</td><td>0</td><td>0</td><td>0</td></tr> <tr><td>Bit No. 2</td><td>1</td><td>1</td><td>0</td><td>0</td><td>1</td><td>1</td><td>0</td><td>0</td><td>1</td><td>1</td></tr> <tr><td>Bit No. 1</td><td>0</td><td>1</td><td>0</td><td>1</td><td>0</td><td>1</td><td>0</td><td>1</td><td>0</td><td>1</td></tr> </table> | Time (sec)      | 2.0 | 2.2       | 2.4 | 2.6 | 2.8       | 3.0 | 3.2 | 3.4       | 3.6 | 3.8       | Bit No. 5 | 0 | 0 | 0         | 0 | 0 | 0 | 1 | 1 | 1 | 1         | Bit No. 4 | 1 | 1 | 1 | 1 | 1 | 1 | 0 | 0 | 0 | 0         | Bit No. 3 | 0 | 0 | 1 | 1 | 1 | 1 | 0 | 0 | 0 | 0         | Bit No. 2 | 1 | 1 | 0 | 0 | 1 | 1 | 0 | 0 | 1 | 1         | Bit No. 1 | 0 | 1 | 0 | 1 | 0 | 1 | 0 | 1 | 0 | 1 | 0 |   |
| Time (sec) |  | 2.0  | 2.2             | 2.4 | 2.6       | 2.8 | 3.0 | 3.2       | 3.4 | 3.6 | 3.8       |     |           |           |   |   |           |   |   |   |   |   |   |           |           |   |   |   |   |   |   |   |   |   |           |           |   |   |   |   |   |   |   |   |   |           |           |   |   |   |   |   |   |   |   |   |           |           |   |   |   |   |   |   |   |   |   |   |   |   |
| Bit No. 5  |  | 0  | 0               | 0   | 0         | 0   | 0   | 1         | 1   | 1   | 1         |     |           |           |   |   |           |   |   |   |   |   |   |           |           |   |   |   |   |   |   |   |   |   |           |           |   |   |   |   |   |   |   |   |   |           |           |   |   |   |   |   |   |   |   |   |           |           |   |   |   |   |   |   |   |   |   |   |   |   |
| Bit No. 4  |  | 1  | 1               | 1   | 1         | 1   | 1   | 0         | 0   | 0   | 0         |     |           |           |   |   |           |   |   |   |   |   |   |           |           |   |   |   |   |   |   |   |   |   |           |           |   |   |   |   |   |   |   |   |   |           |           |   |   |   |   |   |   |   |   |   |           |           |   |   |   |   |   |   |   |   |   |   |   |   |
| Bit No. 3  |  | 0  | 0               | 1   | 1         | 1   | 1   | 0         | 0   | 0   | 0         |     |           |           |   |   |           |   |   |   |   |   |   |           |           |   |   |   |   |   |   |   |   |   |           |           |   |   |   |   |   |   |   |   |   |           |           |   |   |   |   |   |   |   |   |   |           |           |   |   |   |   |   |   |   |   |   |   |   |   |
| Bit No. 2  | 1  | 1  | 0               | 0   | 1         | 1   | 0   | 0         | 1   | 1   |           |     |           |           |   |   |           |   |   |   |   |   |   |           |           |   |   |   |   |   |   |   |   |   |           |           |   |   |   |   |   |   |   |   |   |           |           |   |   |   |   |   |   |   |   |   |           |           |   |   |   |   |   |   |   |   |   |   |   |   |
| Bit No. 1  | 0  | 1  | 0               | 1   | 0         | 1   | 0   | 1         | 0   | 1   |           |     |           |           |   |   |           |   |   |   |   |   |   |           |           |   |   |   |   |   |   |   |   |   |           |           |   |   |   |   |   |   |   |   |   |           |           |   |   |   |   |   |   |   |   |   |           |           |   |   |   |   |   |   |   |   |   |   |   |   |
| 3          | <table border="1"> <tr><td>Time (sec)</td><td>4.0</td><td>4.2</td><td>4.4</td><td>4.6</td><td>4.8</td><td>5.0</td><td>5.2</td><td>5.4</td><td>5.6</td><td>5.8</td></tr> <tr><td>Bit No. 5</td><td>1</td><td>1</td><td>1</td><td>1</td><td>1</td><td>1</td><td>1</td><td>1</td><td>1</td><td>1</td></tr> <tr><td>Bit No. 4</td><td>0</td><td>0</td><td>0</td><td>0</td><td>1</td><td>1</td><td>1</td><td>1</td><td>1</td><td>1</td></tr> <tr><td>Bit No. 3</td><td>1</td><td>1</td><td>1</td><td>1</td><td>0</td><td>0</td><td>0</td><td>0</td><td>1</td><td>1</td></tr> <tr><td>Bit No. 2</td><td>0</td><td>0</td><td>1</td><td>1</td><td>0</td><td>0</td><td>1</td><td>1</td><td>0</td><td>0</td></tr> <tr><td>Bit No. 1</td><td>0</td><td>1</td><td>0</td><td>1</td><td>0</td><td>1</td><td>0</td><td>1</td><td>0</td><td>1</td></tr> </table> | Time (sec)   | 4.0             | 4.2 | 4.4       | 4.6 | 4.8 | 5.0       | 5.2 | 5.4 | 5.6       | 5.8 | Bit No. 5 | 1         | 1 | 1 | 1         | 1 | 1 | 1 | 1 | 1 | 1 | Bit No. 4 | 0         | 0 | 0 | 0 | 1 | 1 | 1 | 1 | 1 | 1 | Bit No. 3 | 1         | 1 | 1 | 1 | 0 | 0 | 0 | 0 | 1 | 1 | Bit No. 2 | 0         | 0 | 1 | 1 | 0 | 0 | 1 | 1 | 0 | 0 | Bit No. 1 | 0         | 1 | 0 | 1 | 0 | 1 | 0 | 1 | 0 | 1 | 1 |   |   |
| Time (sec) | 4.0  | 4.2  | 4.4             | 4.6 | 4.8       | 5.0 | 5.2 | 5.4       | 5.6 | 5.8 |           |     |           |           |   |   |           |   |   |   |   |   |   |           |           |   |   |   |   |   |   |   |   |   |           |           |   |   |   |   |   |   |   |   |   |           |           |   |   |   |   |   |   |   |   |   |           |           |   |   |   |   |   |   |   |   |   |   |   |   |
| Bit No. 5  | 1  | 1  | 1               | 1   | 1         | 1   | 1   | 1         | 1   | 1   |           |     |           |           |   |   |           |   |   |   |   |   |   |           |           |   |   |   |   |   |   |   |   |   |           |           |   |   |   |   |   |   |   |   |   |           |           |   |   |   |   |   |   |   |   |   |           |           |   |   |   |   |   |   |   |   |   |   |   |   |
| Bit No. 4  | 0  | 0  | 0               | 0   | 1         | 1   | 1   | 1         | 1   | 1   |           |     |           |           |   |   |           |   |   |   |   |   |   |           |           |   |   |   |   |   |   |   |   |   |           |           |   |   |   |   |   |   |   |   |   |           |           |   |   |   |   |   |   |   |   |   |           |           |   |   |   |   |   |   |   |   |   |   |   |   |
| Bit No. 3  | 1  | 1  | 1               | 1   | 0         | 0   | 0   | 0         | 1   | 1   |           |     |           |           |   |   |           |   |   |   |   |   |   |           |           |   |   |   |   |   |   |   |   |   |           |           |   |   |   |   |   |   |   |   |   |           |           |   |   |   |   |   |   |   |   |   |           |           |   |   |   |   |   |   |   |   |   |   |   |   |
| Bit No. 2  | 0  | 0  | 1               | 1   | 0         | 0   | 1   | 1         | 0   | 0   |           |     |           |           |   |   |           |   |   |   |   |   |   |           |           |   |   |   |   |   |   |   |   |   |           |           |   |   |   |   |   |   |   |   |   |           |           |   |   |   |   |   |   |   |   |   |           |           |   |   |   |   |   |   |   |   |   |   |   |   |
| Bit No. 1  | 0  | 1  | 0               | 1   | 0         | 1   | 0   | 1         | 0   | 1   |           |     |           |           |   |   |           |   |   |   |   |   |   |           |           |   |   |   |   |   |   |   |   |   |           |           |   |   |   |   |   |   |   |   |   |           |           |   |   |   |   |   |   |   |   |   |           |           |   |   |   |   |   |   |   |   |   |   |   |   |
| 5          | <table border="1"> <tr><td>Time (sec)</td><td>6.0</td><td>6.2</td></tr> <tr><td>Bit No. 5</td><td>1</td><td>1</td></tr> <tr><td>Bit No. 4</td><td>1</td><td>1</td></tr> <tr><td>Bit No. 3</td><td>1</td><td>1</td></tr> <tr><td>Bit No. 2</td><td>1</td><td>1</td></tr> <tr><td>Bit No. 1</td><td>0</td><td>1</td></tr> </table>   | Time (sec)   | 6.0             | 6.2 | Bit No. 5 | 1   | 1   | Bit No. 4 | 1   | 1   | Bit No. 3 | 1   | 1         | Bit No. 2 | 1 | 1 | Bit No. 1 | 0 | 1 | 0 |   |   |   |           |           |   |   |   |   |   |   |   |   |   |           |           |   |   |   |   |   |   |   |   |   |           |           |   |   |   |   |   |   |   |   |   |           |           |   |   |   |   |   |   |   |   |   |   |   |   |
| Time (sec) | 6.0  | 6.2  |                 |     |           |     |     |           |     |     |           |     |           |           |   |   |           |   |   |   |   |   |   |           |           |   |   |   |   |   |   |   |   |   |           |           |   |   |   |   |   |   |   |   |   |           |           |   |   |   |   |   |   |   |   |   |           |           |   |   |   |   |   |   |   |   |   |   |   |   |
| Bit No. 5  | 1  | 1  |                 |     |           |     |     |           |     |     |           |     |           |           |   |   |           |   |   |   |   |   |   |           |           |   |   |   |   |   |   |   |   |   |           |           |   |   |   |   |   |   |   |   |   |           |           |   |   |   |   |   |   |   |   |   |           |           |   |   |   |   |   |   |   |   |   |   |   |   |
| Bit No. 4  | 1  | 1  |                 |     |           |     |     |           |     |     |           |     |           |           |   |   |           |   |   |   |   |   |   |           |           |   |   |   |   |   |   |   |   |   |           |           |   |   |   |   |   |   |   |   |   |           |           |   |   |   |   |   |   |   |   |   |           |           |   |   |   |   |   |   |   |   |   |   |   |   |
| Bit No. 3  | 1  | 1  |                 |     |           |     |     |           |     |     |           |     |           |           |   |   |           |   |   |   |   |   |   |           |           |   |   |   |   |   |   |   |   |   |           |           |   |   |   |   |   |   |   |   |   |           |           |   |   |   |   |   |   |   |   |   |           |           |   |   |   |   |   |   |   |   |   |   |   |   |
| Bit No. 2  | 1  | 1  |                 |     |           |     |     |           |     |     |           |     |           |           |   |   |           |   |   |   |   |   |   |           |           |   |   |   |   |   |   |   |   |   |           |           |   |   |   |   |   |   |   |   |   |           |           |   |   |   |   |   |   |   |   |   |           |           |   |   |   |   |   |   |   |   |   |   |   |   |
| Bit No. 1  | 0  | 1  |                 |     |           |     |     |           |     |     |           |     |           |           |   |   |           |   |   |   |   |   |   |           |           |   |   |   |   |   |   |   |   |   |           |           |   |   |   |   |   |   |   |   |   |           |           |   |   |   |   |   |   |   |   |   |           |           |   |   |   |   |   |   |   |   |   |   |   |   |
| 1          | <table border="1"> <tr><td>Time (sec)</td><td>6.0</td><td>6.2</td></tr> <tr><td>Bit No. 5</td><td>1</td><td>1</td></tr> <tr><td>Bit No. 4</td><td>1</td><td>1</td></tr> <tr><td>Bit No. 3</td><td>1</td><td>1</td></tr> <tr><td>Bit No. 2</td><td>1</td><td>1</td></tr> <tr><td>Bit No. 1</td><td>0</td><td>1</td></tr> </table>   | Time (sec)   | 6.0             | 6.2 | Bit No. 5 | 1   | 1   | Bit No. 4 | 1   | 1   | Bit No. 3 | 1   | 1         | Bit No. 2 | 1 | 1 | Bit No. 1 | 0 | 1 | 0 |   |   |   |           |           |   |   |   |   |   |   |   |   |   |           |           |   |   |   |   |   |   |   |   |   |           |           |   |   |   |   |   |   |   |   |   |           |           |   |   |   |   |   |   |   |   |   |   |   |   |
| Time (sec) | 6.0  | 6.2  |                 |     |           |     |     |           |     |     |           |     |           |           |   |   |           |   |   |   |   |   |   |           |           |   |   |   |   |   |   |   |   |   |           |           |   |   |   |   |   |   |   |   |   |           |           |   |   |   |   |   |   |   |   |   |           |           |   |   |   |   |   |   |   |   |   |   |   |   |
| Bit No. 5  | 1  | 1  |                 |     |           |     |     |           |     |     |           |     |           |           |   |   |           |   |   |   |   |   |   |           |           |   |   |   |   |   |   |   |   |   |           |           |   |   |   |   |   |   |   |   |   |           |           |   |   |   |   |   |   |   |   |   |           |           |   |   |   |   |   |   |   |   |   |   |   |   |
| Bit No. 4  | 1  | 1  |                 |     |           |     |     |           |     |     |           |     |           |           |   |   |           |   |   |   |   |   |   |           |           |   |   |   |   |   |   |   |   |   |           |           |   |   |   |   |   |   |   |   |   |           |           |   |   |   |   |   |   |   |   |   |           |           |   |   |   |   |   |   |   |   |   |   |   |   |
| Bit No. 3  | 1  | 1  |                 |     |           |     |     |           |     |     |           |     |           |           |   |   |           |   |   |   |   |   |   |           |           |   |   |   |   |   |   |   |   |   |           |           |   |   |   |   |   |   |   |   |   |           |           |   |   |   |   |   |   |   |   |   |           |           |   |   |   |   |   |   |   |   |   |   |   |   |
| Bit No. 2  | 1  | 1  |                 |     |           |     |     |           |     |     |           |     |           |           |   |   |           |   |   |   |   |   |   |           |           |   |   |   |   |   |   |   |   |   |           |           |   |   |   |   |   |   |   |   |   |           |           |   |   |   |   |   |   |   |   |   |           |           |   |   |   |   |   |   |   |   |   |   |   |   |
| Bit No. 1  | 0  | 1  |                 |     |           |     |     |           |     |     |           |     |           |           |   |   |           |   |   |   |   |   |   |           |           |   |   |   |   |   |   |   |   |   |           |           |   |   |   |   |   |   |   |   |   |           |           |   |   |   |   |   |   |   |   |   |           |           |   |   |   |   |   |   |   |   |   |   |   |   |

bizhub C25

ADJUSTMENT / SETTING

**14.3.32 SOFT SWITCH: #30**

| Bit No.    | Designation                                     | Function   | Initial setting |     |     |     |     |           |   |   |   |   |           |   |   |   |   |   |   |
|------------|---|--|-----------------|-----|-----|-----|-----|-----------|---|---|---|---|-----------|---|---|---|---|---|---|
|            |   |  | Bit             | HEX |     |     |     |           |   |   |   |   |           |   |   |   |   |   |   |
| 8          | Pause delay time within digits<br>Ex. 002Pxxxxx | <table border="1"> <tr> <td>Time (sec)</td> <td>2.0</td> <td>2.5</td> <td>3.0</td> <td>3.5</td> </tr> <tr> <td>Bit No. 8</td> <td>0</td> <td>0</td> <td>1</td> <td>1</td> </tr> <tr> <td>Bit No. 7</td> <td>0</td> <td>1</td> <td>0</td> <td>1</td> </tr> </table> | Time (sec)      | 2.0 | 2.5 | 3.0 | 3.5 | Bit No. 8 | 0 | 0 | 1 | 1 | Bit No. 7 | 0 | 1 | 0 | 1 | 0 | 4 |
| Time (sec) |   |  | 2.0             | 2.5 | 3.0 | 3.5 |     |           |   |   |   |   |           |   |   |   |   |   |   |
| Bit No. 8  | 0   | 0  | 1               | 1   |     |     |     |           |   |   |   |   |           |   |   |   |   |   |   |
| Bit No. 7  | 0   | 1  | 0               | 1   |     |     |     |           |   |   |   |   |           |   |   |   |   |   |   |
| 7          | 1   |  |                 |     |     |     |     |           |   |   |   |   |           |   |   |   |   |   |   |
| 6          | Reserved  | Reserved   | 0               | 0   |     |     |     |           |   |   |   |   |           |   |   |   |   |   |   |
| 5          |   |  | 0               |     |     |     |     |           |   |   |   |   |           |   |   |   |   |   |   |
| 4          |   |  | 0               |     |     |     |     |           |   |   |   |   |           |   |   |   |   |   |   |
| 3          |   |  | 0               |     |     |     |     |           |   |   |   |   |           |   |   |   |   |   |   |
| 2          |   |  | 0               |     |     |     |     |           |   |   |   |   |           |   |   |   |   |   |   |
| 1          |   |  | 0               |     |     |     |     |           |   |   |   |   |           |   |   |   |   |   |   |

**14.3.33 SOFT SWITCH: #31**

| Bit No.   | Designation           | Function  | Initial setting |          |   |   |   |   |           |          |           |    |    |           |           |   |   |           |   |   |           |   |   |   |           |   |           |   |   |   |   |   |   |   |   |           |   |   |   |   |   |   |   |   |   |   |           |   |   |   |   |   |   |   |   |   |   |   |   |
|-----------|-----------------------|---|-----------------|----------|---|---|---|---|-----------|----------|-----------|----|----|-----------|-----------|---|---|-----------|---|---|-----------|---|---|---|-----------|---|-----------|---|---|---|---|---|---|---|---|-----------|---|---|---|---|---|---|---|---|---|---|-----------|---|---|---|---|---|---|---|---|---|---|---|---|
|           |                       |   | Bit             | HEX      |   |   |   |   |           |          |           |    |    |           |           |   |   |           |   |   |           |   |   |   |           |   |           |   |   |   |   |   |   |   |   |           |   |   |   |   |   |   |   |   |   |   |           |   |   |   |   |   |   |   |   |   |   |   |   |
| 8         | Reserved              | Reserved  | 0               | 2        |   |   |   |   |           |          |           |    |    |           |           |   |   |           |   |   |           |   |   |   |           |   |           |   |   |   |   |   |   |   |   |           |   |   |   |   |   |   |   |   |   |   |           |   |   |   |   |   |   |   |   |   |   |   |   |
| 7         | Min re-dial interval  | <table border="1"> <tr> <td>Interval</td> <td>1</td> <td>2</td> <td>3</td> <td>4</td> <td>5</td> <td>Reserved</td> </tr> <tr> <td>Bit No. 7</td> <td>0</td> <td>0</td> <td>0</td> <td>1</td> <td>1</td> <td>1</td> </tr> <tr> <td>Bit No. 6</td> <td>0</td> <td>1</td> <td>1</td> <td>0</td> <td>0</td> <td>1</td> </tr> <tr> <td>Bit No. 5</td> <td>1</td> <td>0</td> <td>1</td> <td>0</td> <td>1</td> <td>0</td> </tr> </table>   | Interval        |          | 1 | 2 | 3 | 4 | 5         | Reserved | Bit No. 7 | 0  | 0  | 0         | 1         | 1 | 1 | Bit No. 6 | 0 | 1 | 1         | 0 | 0 | 1 | Bit No. 5 | 1 | 0         | 1 | 0 | 1 | 0 | 0 |   |   |   |           |   |   |   |   |   |   |   |   |   |   |           |   |   |   |   |   |   |   |   |   |   |   |   |
| Interval  |                       |   | 1               |          | 2 | 3 | 4 | 5 | Reserved  |          |           |    |    |           |           |   |   |           |   |   |           |   |   |   |           |   |           |   |   |   |   |   |   |   |   |           |   |   |   |   |   |   |   |   |   |   |           |   |   |   |   |   |   |   |   |   |   |   |   |
| Bit No. 7 |                       |   | 0               |          | 0 | 0 | 1 | 1 | 1         |          |           |    |    |           |           |   |   |           |   |   |           |   |   |   |           |   |           |   |   |   |   |   |   |   |   |           |   |   |   |   |   |   |   |   |   |   |           |   |   |   |   |   |   |   |   |   |   |   |   |
| Bit No. 6 | 0                     | 1   | 1               | 0        | 0 | 1 |   |   |           |          |           |    |    |           |           |   |   |           |   |   |           |   |   |   |           |   |           |   |   |   |   |   |   |   |   |           |   |   |   |   |   |   |   |   |   |   |           |   |   |   |   |   |   |   |   |   |   |   |   |
| Bit No. 5 | 1                     | 0   | 1               | 0        | 1 | 0 |   |   |           |          |           |    |    |           |           |   |   |           |   |   |           |   |   |   |           |   |           |   |   |   |   |   |   |   |   |           |   |   |   |   |   |   |   |   |   |   |           |   |   |   |   |   |   |   |   |   |   |   |   |
| 6         | 1                     |   |                 |          |   |   |   |   |           |          |           |    |    |           |           |   |   |           |   |   |           |   |   |   |           |   |           |   |   |   |   |   |   |   |   |           |   |   |   |   |   |   |   |   |   |   |           |   |   |   |   |   |   |   |   |   |   |   |   |
| 5         | 0                     |   |                 |          |   |   |   |   |           |          |           |    |    |           |           |   |   |           |   |   |           |   |   |   |           |   |           |   |   |   |   |   |   |   |   |           |   |   |   |   |   |   |   |   |   |   |           |   |   |   |   |   |   |   |   |   |   |   |   |
| 4         | Max. re-dial attempts | <table border="1"> <tr> <td>Attempts</td> <td>1</td> <td>2</td> <td>3</td> <td>4</td> <td>5</td> <td>6</td> <td>7</td> <td>8</td> <td>9</td> <td>10</td> </tr> <tr> <td>Bit No. 4</td> <td>0</td> <td>0</td> <td>0</td> <td>0</td> <td>0</td> <td>0</td> <td>0</td> <td>1</td> <td>1</td> <td>1</td> </tr> <tr> <td>Bit No. 3</td> <td>0</td> <td>0</td> <td>0</td> <td>1</td> <td>1</td> <td>1</td> <td>1</td> <td>0</td> <td>0</td> <td>0</td> </tr> <tr> <td>Bit No. 2</td> <td>0</td> <td>1</td> <td>1</td> <td>0</td> <td>0</td> <td>1</td> <td>1</td> <td>0</td> <td>0</td> <td>1</td> </tr> <tr> <td>Bit No. 1</td> <td>1</td> <td>0</td> <td>1</td> <td>0</td> <td>1</td> <td>0</td> <td>1</td> <td>0</td> <td>1</td> <td>0</td> </tr> </table> | Attempts        | 1        | 2 | 3 | 4 | 5 | 6         | 7        | 8         | 9  | 10 | Bit No. 4 | 0         | 0 | 0 | 0         | 0 | 0 | 0         | 1 | 1 | 1 | Bit No. 3 | 0 | 0         | 0 | 1 | 1 | 1 | 1 | 0 | 0 | 0 | Bit No. 2 | 0 | 1 | 1 | 0 | 0 | 1 | 1 | 0 | 0 | 1 | Bit No. 1 | 1 | 0 | 1 | 0 | 1 | 0 | 1 | 0 | 1 | 0 | 1 | A |
| Attempts  |                       |   | 1               | 2        | 3 | 4 | 5 | 6 | 7         | 8        | 9         | 10 |    |           |           |   |   |           |   |   |           |   |   |   |           |   |           |   |   |   |   |   |   |   |   |           |   |   |   |   |   |   |   |   |   |   |           |   |   |   |   |   |   |   |   |   |   |   |   |
| Bit No. 4 |                       |   | 0               | 0        | 0 | 0 | 0 | 0 | 0         | 1        | 1         | 1  |    |           |           |   |   |           |   |   |           |   |   |   |           |   |           |   |   |   |   |   |   |   |   |           |   |   |   |   |   |   |   |   |   |   |           |   |   |   |   |   |   |   |   |   |   |   |   |
| Bit No. 3 |                       |   | 0               | 0        | 0 | 1 | 1 | 1 | 1         | 0        | 0         | 0  |    |           |           |   |   |           |   |   |           |   |   |   |           |   |           |   |   |   |   |   |   |   |   |           |   |   |   |   |   |   |   |   |   |   |           |   |   |   |   |   |   |   |   |   |   |   |   |
| Bit No. 2 |                       | 0   | 1               | 1        | 0 | 0 | 1 | 1 | 0         | 0        | 1         |    |    |           |           |   |   |           |   |   |           |   |   |   |           |   |           |   |   |   |   |   |   |   |   |           |   |   |   |   |   |   |   |   |   |   |           |   |   |   |   |   |   |   |   |   |   |   |   |
| Bit No. 1 | 1                     | 0   | 1               | 0        | 1 | 0 | 1 | 0 | 1         | 0        |           |    |    |           |           |   |   |           |   |   |           |   |   |   |           |   |           |   |   |   |   |   |   |   |   |           |   |   |   |   |   |   |   |   |   |   |           |   |   |   |   |   |   |   |   |   |   |   |   |
| 3         | 0                     |   |                 |          |   |   |   |   |           |          |           |    |    |           |           |   |   |           |   |   |           |   |   |   |           |   |           |   |   |   |   |   |   |   |   |           |   |   |   |   |   |   |   |   |   |   |           |   |   |   |   |   |   |   |   |   |   |   |   |
| 2         | 1                     |   |                 |          |   |   |   |   |           |          |           |    |    |           |           |   |   |           |   |   |           |   |   |   |           |   |           |   |   |   |   |   |   |   |   |           |   |   |   |   |   |   |   |   |   |   |           |   |   |   |   |   |   |   |   |   |   |   |   |
| 1         | 0                     | <table border="1"> <tr> <td>Attempts</td> <td colspan="5">Reserved</td> </tr> <tr> <td>Bit No. 4</td> <td>1</td> <td>1</td> <td>1</td> <td>1</td> <td>1</td> </tr> <tr> <td>Bit No. 3</td> <td>0</td> <td>1</td> <td>1</td> <td>1</td> <td>1</td> </tr> <tr> <td>Bit No. 2</td> <td>1</td> <td>0</td> <td>0</td> <td>1</td> <td>1</td> </tr> <tr> <td>Bit No. 1</td> <td>1</td> <td>0</td> <td>1</td> <td>0</td> <td>1</td> </tr> </table>  | Attempts        | Reserved |   |   |   |   | Bit No. 4 | 1        | 1         | 1  | 1  | 1         | Bit No. 3 | 0 | 1 | 1         | 1 | 1 | Bit No. 2 | 1 | 0 | 0 | 1         | 1 | Bit No. 1 | 1 | 0 | 1 | 0 | 1 |   |   |   |           |   |   |   |   |   |   |   |   |   |   |           |   |   |   |   |   |   |   |   |   |   |   |   |
|           | Attempts              |   | Reserved        |          |   |   |   |   |           |          |           |    |    |           |           |   |   |           |   |   |           |   |   |   |           |   |           |   |   |   |   |   |   |   |   |           |   |   |   |   |   |   |   |   |   |   |           |   |   |   |   |   |   |   |   |   |   |   |   |
|           | Bit No. 4             |   | 1               | 1        | 1 | 1 | 1 |   |           |          |           |    |    |           |           |   |   |           |   |   |           |   |   |   |           |   |           |   |   |   |   |   |   |   |   |           |   |   |   |   |   |   |   |   |   |   |           |   |   |   |   |   |   |   |   |   |   |   |   |
| Bit No. 3 | 0                     | 1   | 1               | 1        | 1 |   |   |   |           |          |           |    |    |           |           |   |   |           |   |   |           |   |   |   |           |   |           |   |   |   |   |   |   |   |   |           |   |   |   |   |   |   |   |   |   |   |           |   |   |   |   |   |   |   |   |   |   |   |   |
| Bit No. 2 | 1                     | 0   | 0               | 1        | 1 |   |   |   |           |          |           |    |    |           |           |   |   |           |   |   |           |   |   |   |           |   |           |   |   |   |   |   |   |   |   |           |   |   |   |   |   |   |   |   |   |   |           |   |   |   |   |   |   |   |   |   |   |   |   |
| Bit No. 1 | 1                     | 0   | 1               | 0        | 1 |   |   |   |           |          |           |    |    |           |           |   |   |           |   |   |           |   |   |   |           |   |           |   |   |   |   |   |   |   |   |           |   |   |   |   |   |   |   |   |   |   |           |   |   |   |   |   |   |   |   |   |   |   |   |
|           | 0                     |   |                 |          |   |   |   |   |           |          |           |    |    |           |           |   |   |           |   |   |           |   |   |   |           |   |           |   |   |   |   |   |   |   |   |           |   |   |   |   |   |   |   |   |   |   |           |   |   |   |   |   |   |   |   |   |   |   |   |

bizhub C25

ADJUSTMENT / SETTING

14.3.34 SOFT SWITCH: #32

| Bit No.      | Designation   | Function  | Initial setting |                |       |       |       |       |       |       |       |       |       |       |       |       |       |       |           |           |   |   |   |   |   |   |   |           |           |   |   |   |   |   |   |   |           |           |   |   |   |   |   |   |   |           |           |   |   |   |   |   |   |   |              |              |           |  |  |  |  |  |  |   |   |   |
|--------------|---|---|-----------------|----------------|-------|-------|-------|-------|-------|-------|-------|-------|-------|-------|-------|-------|-------|-------|-----------|-----------|---|---|---|---|---|---|---|-----------|-----------|---|---|---|---|---|---|---|-----------|-----------|---|---|---|---|---|---|---|-----------|-----------|---|---|---|---|---|---|---|--------------|--------------|-----------|--|--|--|--|--|--|---|---|---|
|              |   |   | Bit             | HEX            |       |       |       |       |       |       |       |       |       |       |       |       |       |       |           |           |   |   |   |   |   |   |   |           |           |   |   |   |   |   |   |   |           |           |   |   |   |   |   |   |   |           |           |   |   |   |   |   |   |   |              |              |           |  |  |  |  |  |  |   |   |   |
| 8            | Toner type<br>(PA model only)   | 0: Normal detects toner type  | 0               | 0              |       |       |       |       |       |       |       |       |       |       |       |       |       |       |           |           |   |   |   |   |   |   |   |           |           |   |   |   |   |   |   |   |           |           |   |   |   |   |   |   |   |           |           |   |   |   |   |   |   |   |              |              |           |  |  |  |  |  |  |   |   |   |
|              |   | 1: Can use bizhub toner and magicolor toner   |                 |                |       |       |       |       |       |       |       |       |       |       |       |       |       |       |           |           |   |   |   |   |   |   |   |           |           |   |   |   |   |   |   |   |           |           |   |   |   |   |   |   |   |           |           |   |   |   |   |   |   |   |              |              |           |  |  |  |  |  |  |   |   |   |
| 7            | USB ID<br>(PA model only)   | 0: Use PA model define USB ID (Normal)  | 0               | 0              |       |       |       |       |       |       |       |       |       |       |       |       |       |       |           |           |   |   |   |   |   |   |   |           |           |   |   |   |   |   |   |   |           |           |   |   |   |   |   |   |   |           |           |   |   |   |   |   |   |   |              |              |           |  |  |  |  |  |  |   |   |   |
|              |   | 1: Use PA magicolor define USB ID   |                 |                |       |       |       |       |       |       |       |       |       |       |       |       |       |       |           |           |   |   |   |   |   |   |   |           |           |   |   |   |   |   |   |   |           |           |   |   |   |   |   |   |   |           |           |   |   |   |   |   |   |   |              |              |           |  |  |  |  |  |  |   |   |   |
| 6            | Phone book sequence   | 0: List → Search → LDAP Search  | 0               | 0              |       |       |       |       |       |       |       |       |       |       |       |       |       |       |           |           |   |   |   |   |   |   |   |           |           |   |   |   |   |   |   |   |           |           |   |   |   |   |   |   |   |           |           |   |   |   |   |   |   |   |              |              |           |  |  |  |  |  |  |   |   |   |
|              |   | 1: LDAP search → List → Search  |                 |                |       |       |       |       |       |       |       |       |       |       |       |       |       |       |           |           |   |   |   |   |   |   |   |           |           |   |   |   |   |   |   |   |           |           |   |   |   |   |   |   |   |           |           |   |   |   |   |   |   |   |              |              |           |  |  |  |  |  |  |   |   |   |
| 5            | N-Scan report   | 0: Print out report after TX according to SW48 [6,7]  | 0               | 0              |       |       |       |       |       |       |       |       |       |       |       |       |       |       |           |           |   |   |   |   |   |   |   |           |           |   |   |   |   |   |   |   |           |           |   |   |   |   |   |   |   |           |           |   |   |   |   |   |   |   |              |              |           |  |  |  |  |  |  |   |   |   |
|              |   | 1: Not print out  |                 |                |       |       |       |       |       |       |       |       |       |       |       |       |       |       |           |           |   |   |   |   |   |   |   |           |           |   |   |   |   |   |   |   |           |           |   |   |   |   |   |   |   |           |           |   |   |   |   |   |   |   |              |              |           |  |  |  |  |  |  |   |   |   |
| 4            | Adjust V.34 RX connection speed threshold   | <table border="1"> <thead> <tr> <th>Speed</th> <th colspan="7">High → Highest</th> </tr> <tr> <th>Value</th> <th>0000H</th> <th>FF00H</th> <th>FE00H</th> <th>FD00H</th> <th>FC00H</th> <th>FB00H</th> <th>FA00H</th> <th>F900H</th> </tr> </thead> <tbody> <tr> <td>Bit No. 4</td> <td>0</td> <td>0</td> <td>0</td> <td>0</td> <td>0</td> <td>0</td> <td>0</td> <td>0</td> </tr> <tr> <td>Bit No. 3</td> <td>0</td> <td>0</td> <td>0</td> <td>0</td> <td>1</td> <td>1</td> <td>1</td> <td>1</td> </tr> <tr> <td>Bit No. 2</td> <td>0</td> <td>0</td> <td>1</td> <td>1</td> <td>0</td> <td>0</td> <td>1</td> <td>1</td> </tr> <tr> <td>Bit No. 1</td> <td>0</td> <td>1</td> <td>0</td> <td>1</td> <td>0</td> <td>1</td> <td>0</td> <td>1</td> </tr> <tr> <td>Descriptions</td> <td>No affect</td> <td></td> <td></td> <td></td> <td></td> <td></td> <td></td> <td></td> </tr> </tbody> </table> | Speed           | High → Highest |       |       |       |       |       |       | Value | 0000H | FF00H | FE00H | FD00H | FC00H | FB00H | FA00H | F900H     | Bit No. 4 | 0 | 0 | 0 | 0 | 0 | 0 | 0 | 0         | Bit No. 3 | 0 | 0 | 0 | 0 | 1 | 1 | 1 | 1         | Bit No. 2 | 0 | 0 | 1 | 1 | 0 | 0 | 1 | 1         | Bit No. 1 | 0 | 1 | 0 | 1 | 0 | 1 | 0 | 1            | Descriptions | No affect |  |  |  |  |  |  |   | 1 | D |
| Speed        |   | High → Highest  |                 |                |       |       |       |       |       |       |       |       |       |       |       |       |       |       |           |           |   |   |   |   |   |   |   |           |           |   |   |   |   |   |   |   |           |           |   |   |   |   |   |   |   |           |           |   |   |   |   |   |   |   |              |              |           |  |  |  |  |  |  |   |   |   |
| Value        |   | 0000H   | FF00H           | FE00H          | FD00H | FC00H | FB00H | FA00H | F900H |       |       |       |       |       |       |       |       |       |           |           |   |   |   |   |   |   |   |           |           |   |   |   |   |   |   |   |           |           |   |   |   |   |   |   |   |           |           |   |   |   |   |   |   |   |              |              |           |  |  |  |  |  |  |   |   |   |
| Bit No. 4    |   | 0   | 0               | 0              | 0     | 0     | 0     | 0     | 0     |       |       |       |       |       |       |       |       |       |           |           |   |   |   |   |   |   |   |           |           |   |   |   |   |   |   |   |           |           |   |   |   |   |   |   |   |           |           |   |   |   |   |   |   |   |              |              |           |  |  |  |  |  |  |   |   |   |
| Bit No. 3    |   | 0   | 0               | 0              | 0     | 1     | 1     | 1     | 1     |       |       |       |       |       |       |       |       |       |           |           |   |   |   |   |   |   |   |           |           |   |   |   |   |   |   |   |           |           |   |   |   |   |   |   |   |           |           |   |   |   |   |   |   |   |              |              |           |  |  |  |  |  |  |   |   |   |
| Bit No. 2    |   | 0   | 0               | 1              | 1     | 0     | 0     | 1     | 1     |       |       |       |       |       |       |       |       |       |           |           |   |   |   |   |   |   |   |           |           |   |   |   |   |   |   |   |           |           |   |   |   |   |   |   |   |           |           |   |   |   |   |   |   |   |              |              |           |  |  |  |  |  |  |   |   |   |
| Bit No. 1    |   | 0   | 1               | 0              | 1     | 0     | 1     | 0     | 1     |       |       |       |       |       |       |       |       |       |           |           |   |   |   |   |   |   |   |           |           |   |   |   |   |   |   |   |           |           |   |   |   |   |   |   |   |           |           |   |   |   |   |   |   |   |              |              |           |  |  |  |  |  |  |   |   |   |
| Descriptions |   | No affect   |                 |                |       |       |       |       |       |       |       |       |       |       |       |       |       |       |           |           |   |   |   |   |   |   |   |           |           |   |   |   |   |   |   |   |           |           |   |   |   |   |   |   |   |           |           |   |   |   |   |   |   |   |              |              |           |  |  |  |  |  |  |   |   |   |
| 3            |   | <table border="1"> <thead> <tr> <th>Speed</th> <th colspan="7">Low → Lowest</th> </tr> <tr> <th>Value</th> <th>0000H</th> <th>0100H</th> <th>0200H</th> <th>0300H</th> <th>0400H</th> <th>0500H</th> <th>0600H</th> <th>0700H</th> </tr> </thead> <tbody> <tr> <td>Bit No. 4</td> <td>1</td> <td>1</td> <td>1</td> <td>1</td> <td>1</td> <td>1</td> <td>1</td> <td>1</td> </tr> <tr> <td>Bit No. 3</td> <td>0</td> <td>0</td> <td>0</td> <td>0</td> <td>1</td> <td>1</td> <td>1</td> <td>1</td> </tr> <tr> <td>Bit No. 2</td> <td>0</td> <td>0</td> <td>1</td> <td>1</td> <td>0</td> <td>0</td> <td>1</td> <td>1</td> </tr> <tr> <td>Bit No. 1</td> <td>0</td> <td>1</td> <td>0</td> <td>1</td> <td>0</td> <td>1</td> <td>0</td> <td>1</td> </tr> <tr> <td>Descriptions</td> <td>No affect</td> <td></td> <td></td> <td></td> <td></td> <td></td> <td></td> <td></td> </tr> </tbody> </table>   | Speed           | Low → Lowest   |       |       |       |       |       |       | Value | 0000H | 0100H | 0200H | 0300H | 0400H | 0500H | 0600H | 0700H     | Bit No. 4 | 1 | 1 | 1 | 1 | 1 | 1 | 1 | 1         | Bit No. 3 | 0 | 0 | 0 | 0 | 1 | 1 | 1 | 1         | Bit No. 2 | 0 | 0 | 1 | 1 | 0 | 0 | 1 | 1         | Bit No. 1 | 0 | 1 | 0 | 1 | 0 | 1 | 0 | 1            | Descriptions | No affect |  |  |  |  |  |  |   | 1 |   |
| Speed        |   | Low → Lowest  |                 |                |       |       |       |       |       |       |       |       |       |       |       |       |       |       |           |           |   |   |   |   |   |   |   |           |           |   |   |   |   |   |   |   |           |           |   |   |   |   |   |   |   |           |           |   |   |   |   |   |   |   |              |              |           |  |  |  |  |  |  |   |   |   |
| Value        |   | 0000H   | 0100H           | 0200H          | 0300H | 0400H | 0500H | 0600H | 0700H |       |       |       |       |       |       |       |       |       |           |           |   |   |   |   |   |   |   |           |           |   |   |   |   |   |   |   |           |           |   |   |   |   |   |   |   |           |           |   |   |   |   |   |   |   |              |              |           |  |  |  |  |  |  |   |   |   |
| Bit No. 4    |   | 1   | 1               | 1              | 1     | 1     | 1     | 1     | 1     |       |       |       |       |       |       |       |       |       |           |           |   |   |   |   |   |   |   |           |           |   |   |   |   |   |   |   |           |           |   |   |   |   |   |   |   |           |           |   |   |   |   |   |   |   |              |              |           |  |  |  |  |  |  |   |   |   |
| Bit No. 3    | 0   | 0   | 0               | 0              | 1     | 1     | 1     | 1     |       |       |       |       |       |       |       |       |       |       |           |           |   |   |   |   |   |   |   |           |           |   |   |   |   |   |   |   |           |           |   |   |   |   |   |   |   |           |           |   |   |   |   |   |   |   |              |              |           |  |  |  |  |  |  |   |   |   |
| Bit No. 2    | 0   | 0   | 1               | 1              | 0     | 0     | 1     | 1     |       |       |       |       |       |       |       |       |       |       |           |           |   |   |   |   |   |   |   |           |           |   |   |   |   |   |   |   |           |           |   |   |   |   |   |   |   |           |           |   |   |   |   |   |   |   |              |              |           |  |  |  |  |  |  |   |   |   |
| Bit No. 1    | 0   | 1   | 0               | 1              | 0     | 1     | 0     | 1     |       |       |       |       |       |       |       |       |       |       |           |           |   |   |   |   |   |   |   |           |           |   |   |   |   |   |   |   |           |           |   |   |   |   |   |   |   |           |           |   |   |   |   |   |   |   |              |              |           |  |  |  |  |  |  |   |   |   |
| Descriptions | No affect   |   |                 |                |       |       |       |       |       |       |       |       |       |       |       |       |       |       |           |           |   |   |   |   |   |   |   |           |           |   |   |   |   |   |   |   |           |           |   |   |   |   |   |   |   |           |           |   |   |   |   |   |   |   |              |              |           |  |  |  |  |  |  |   |   |   |
| 2            | <table border="1"> <thead> <tr> <th>Speed</th> <th colspan="7">Low → Lowest</th> </tr> <tr> <th>Value</th> <th>0000H</th> <th>0100H</th> <th>0200H</th> <th>0300H</th> <th>0400H</th> <th>0500H</th> <th>0600H</th> <th>0700H</th> </tr> </thead> <tbody> <tr> <td>Bit No. 4</td> <td>1</td> <td>1</td> <td>1</td> <td>1</td> <td>1</td> <td>1</td> <td>1</td> <td>1</td> </tr> <tr> <td>Bit No. 3</td> <td>0</td> <td>0</td> <td>0</td> <td>0</td> <td>1</td> <td>1</td> <td>1</td> <td>1</td> </tr> <tr> <td>Bit No. 2</td> <td>0</td> <td>0</td> <td>1</td> <td>1</td> <td>0</td> <td>0</td> <td>1</td> <td>1</td> </tr> <tr> <td>Bit No. 1</td> <td>0</td> <td>1</td> <td>0</td> <td>1</td> <td>0</td> <td>1</td> <td>0</td> <td>1</td> </tr> <tr> <td>Descriptions</td> <td>No affect</td> <td></td> <td></td> <td></td> <td></td> <td></td> <td></td> <td></td> </tr> </tbody> </table> | Speed   | Low → Lowest    |                |       |       |       |       |       | Value | 0000H | 0100H | 0200H | 0300H | 0400H | 0500H | 0600H | 0700H | Bit No. 4 | 1         | 1 | 1 | 1 | 1 | 1 | 1 | 1 | Bit No. 3 | 0         | 0 | 0 | 0 | 1 | 1 | 1 | 1 | Bit No. 2 | 0         | 0 | 1 | 1 | 0 | 0 | 1 | 1 | Bit No. 1 | 0         | 1 | 0 | 1 | 0 | 1 | 0 | 1 | Descriptions | No affect    |           |  |  |  |  |  |  | 0 |   |   |
| Speed        | Low → Lowest  |   |                 |                |       |       |       |       |       |       |       |       |       |       |       |       |       |       |           |           |   |   |   |   |   |   |   |           |           |   |   |   |   |   |   |   |           |           |   |   |   |   |   |   |   |           |           |   |   |   |   |   |   |   |              |              |           |  |  |  |  |  |  |   |   |   |
| Value        | 0000H   | 0100H   | 0200H           | 0300H          | 0400H | 0500H | 0600H | 0700H |       |       |       |       |       |       |       |       |       |       |           |           |   |   |   |   |   |   |   |           |           |   |   |   |   |   |   |   |           |           |   |   |   |   |   |   |   |           |           |   |   |   |   |   |   |   |              |              |           |  |  |  |  |  |  |   |   |   |
| Bit No. 4    | 1   | 1   | 1               | 1              | 1     | 1     | 1     | 1     |       |       |       |       |       |       |       |       |       |       |           |           |   |   |   |   |   |   |   |           |           |   |   |   |   |   |   |   |           |           |   |   |   |   |   |   |   |           |           |   |   |   |   |   |   |   |              |              |           |  |  |  |  |  |  |   |   |   |
| Bit No. 3    | 0   | 0   | 0               | 0              | 1     | 1     | 1     | 1     |       |       |       |       |       |       |       |       |       |       |           |           |   |   |   |   |   |   |   |           |           |   |   |   |   |   |   |   |           |           |   |   |   |   |   |   |   |           |           |   |   |   |   |   |   |   |              |              |           |  |  |  |  |  |  |   |   |   |
| Bit No. 2    | 0   | 0   | 1               | 1              | 0     | 0     | 1     | 1     |       |       |       |       |       |       |       |       |       |       |           |           |   |   |   |   |   |   |   |           |           |   |   |   |   |   |   |   |           |           |   |   |   |   |   |   |   |           |           |   |   |   |   |   |   |   |              |              |           |  |  |  |  |  |  |   |   |   |
| Bit No. 1    | 0   | 1   | 0               | 1              | 0     | 1     | 0     | 1     |       |       |       |       |       |       |       |       |       |       |           |           |   |   |   |   |   |   |   |           |           |   |   |   |   |   |   |   |           |           |   |   |   |   |   |   |   |           |           |   |   |   |   |   |   |   |              |              |           |  |  |  |  |  |  |   |   |   |
| Descriptions | No affect   |   |                 |                |       |       |       |       |       |       |       |       |       |       |       |       |       |       |           |           |   |   |   |   |   |   |   |           |           |   |   |   |   |   |   |   |           |           |   |   |   |   |   |   |   |           |           |   |   |   |   |   |   |   |              |              |           |  |  |  |  |  |  |   |   |   |
| 1            | <table border="1"> <thead> <tr> <th>Speed</th> <th colspan="7">Low → Lowest</th> </tr> <tr> <th>Value</th> <th>0000H</th> <th>0100H</th> <th>0200H</th> <th>0300H</th> <th>0400H</th> <th>0500H</th> <th>0600H</th> <th>0700H</th> </tr> </thead> <tbody> <tr> <td>Bit No. 4</td> <td>1</td> <td>1</td> <td>1</td> <td>1</td> <td>1</td> <td>1</td> <td>1</td> <td>1</td> </tr> <tr> <td>Bit No. 3</td> <td>0</td> <td>0</td> <td>0</td> <td>0</td> <td>1</td> <td>1</td> <td>1</td> <td>1</td> </tr> <tr> <td>Bit No. 2</td> <td>0</td> <td>0</td> <td>1</td> <td>1</td> <td>0</td> <td>0</td> <td>1</td> <td>1</td> </tr> <tr> <td>Bit No. 1</td> <td>0</td> <td>1</td> <td>0</td> <td>1</td> <td>0</td> <td>1</td> <td>0</td> <td>1</td> </tr> <tr> <td>Descriptions</td> <td>No affect</td> <td></td> <td></td> <td></td> <td></td> <td></td> <td></td> <td></td> </tr> </tbody> </table> | Speed   | Low → Lowest    |                |       |       |       |       |       | Value | 0000H | 0100H | 0200H | 0300H | 0400H | 0500H | 0600H | 0700H | Bit No. 4 | 1         | 1 | 1 | 1 | 1 | 1 | 1 | 1 | Bit No. 3 | 0         | 0 | 0 | 0 | 1 | 1 | 1 | 1 | Bit No. 2 | 0         | 0 | 1 | 1 | 0 | 0 | 1 | 1 | Bit No. 1 | 0         | 1 | 0 | 1 | 0 | 1 | 0 | 1 | Descriptions | No affect    |           |  |  |  |  |  |  | 1 |   |   |
| Speed        | Low → Lowest  |   |                 |                |       |       |       |       |       |       |       |       |       |       |       |       |       |       |           |           |   |   |   |   |   |   |   |           |           |   |   |   |   |   |   |   |           |           |   |   |   |   |   |   |   |           |           |   |   |   |   |   |   |   |              |              |           |  |  |  |  |  |  |   |   |   |
| Value        | 0000H   | 0100H   | 0200H           | 0300H          | 0400H | 0500H | 0600H | 0700H |       |       |       |       |       |       |       |       |       |       |           |           |   |   |   |   |   |   |   |           |           |   |   |   |   |   |   |   |           |           |   |   |   |   |   |   |   |           |           |   |   |   |   |   |   |   |              |              |           |  |  |  |  |  |  |   |   |   |
| Bit No. 4    | 1   | 1   | 1               | 1              | 1     | 1     | 1     | 1     |       |       |       |       |       |       |       |       |       |       |           |           |   |   |   |   |   |   |   |           |           |   |   |   |   |   |   |   |           |           |   |   |   |   |   |   |   |           |           |   |   |   |   |   |   |   |              |              |           |  |  |  |  |  |  |   |   |   |
| Bit No. 3    | 0   | 0   | 0               | 0              | 1     | 1     | 1     | 1     |       |       |       |       |       |       |       |       |       |       |           |           |   |   |   |   |   |   |   |           |           |   |   |   |   |   |   |   |           |           |   |   |   |   |   |   |   |           |           |   |   |   |   |   |   |   |              |              |           |  |  |  |  |  |  |   |   |   |
| Bit No. 2    | 0   | 0   | 1               | 1              | 0     | 0     | 1     | 1     |       |       |       |       |       |       |       |       |       |       |           |           |   |   |   |   |   |   |   |           |           |   |   |   |   |   |   |   |           |           |   |   |   |   |   |   |   |           |           |   |   |   |   |   |   |   |              |              |           |  |  |  |  |  |  |   |   |   |
| Bit No. 1    | 0   | 1   | 0               | 1              | 0     | 1     | 0     | 1     |       |       |       |       |       |       |       |       |       |       |           |           |   |   |   |   |   |   |   |           |           |   |   |   |   |   |   |   |           |           |   |   |   |   |   |   |   |           |           |   |   |   |   |   |   |   |              |              |           |  |  |  |  |  |  |   |   |   |
| Descriptions | No affect   |   |                 |                |       |       |       |       |       |       |       |       |       |       |       |       |       |       |           |           |   |   |   |   |   |   |   |           |           |   |   |   |   |   |   |   |           |           |   |   |   |   |   |   |   |           |           |   |   |   |   |   |   |   |              |              |           |  |  |  |  |  |  |   |   |   |

- Bit 7:
  1. In PA model, operation can change a SW to let the USB ID is PA magicolor model ID.
  2. The softswitch can be R/W ON/OFF by PJL command.
  3. After SRAM clear, the softswitch will be clear. That means it will return to normal USB ID.

bizhub C25

ADJUSTMENT / SETTING

**14.3.35 SOFT SWITCH: #33**

| Bit No. | Designation  | Function   | Initial setting |     |
|---------|--|--|-----------------|-----|
|         |  |  | Bit             | HEX |
| 8       | Handset detects method in manual dial                        | 0: Set H relay to high                             | 0               | 4   |
|         |  | 1: Set H relay to low during detect handset status |                 |     |
| 7       | V.17 echo protection tone                                    | 0: Off   | 1               |     |
|         |  | 1: On  |                 |     |
| 6       | V.29 echo protection tone                                    | 0: Off   | 0               |     |
|         |  | 1: On  |                 |     |
| 5       | Compromise equalize enable (CEQ) in the transmit path (TCEQ) | 0: No  | 0               |     |
|         |  | 1: Yes   |                 |     |
| 4       | Compromise equalize enable (CEQ) in the receiver path (RCEQ) | 0: No  | 0               | 0   |
|         |  | 1: Yes   |                 |     |
| 3       | Reserved   | Reserved   | 0               |     |
| 2       |  |  | 0               |     |
| 1       |  |  | 0               |     |

- Bit 5-4: V.17, V.29 and V.27 only

**14.3.36 SOFT SWITCH: #34**

| Bit No. | Designation | Function | Initial setting |     |
|---------|-------------|----------|-----------------|-----|
|         |             |          | Bit             | HEX |
| 8       | Reserved    | Reserved | 0               | 0   |
| 7       |             |          | 0               |     |
| 6       |             |          | 0               |     |
| 5       |             |          | 0               |     |
| 4       |             |          | 0               | 0   |
| 3       |             |          | 0               |     |
| 2       |             |          | 0               |     |
| 1       |             |          | 0               |     |

**14.3.37 SOFT SWITCH: #35**

| Bit No.              | Designation                           | Function  | Initial setting   |            |                      |            |            |            |           |   |   |   |           |   |           |   |           |   |   |   |           |   |   |   |   |   |   |
|----------------------|---------------------------------------|---|---|------------|----------------------|------------|------------|------------|-----------|---|---|---|-----------|---|-----------|---|-----------|---|---|---|-----------|---|---|---|---|---|---|
|                      |                                       |   | Bit   | HEX        |                      |            |            |            |           |   |   |   |           |   |           |   |           |   |   |   |           |   |   |   |   |   |   |
| 8                    | Dial tone table switch time           | <table border="1"> <tr> <td>Time (sec)</td> <td>1</td> <td>2</td> <td>3</td> <td>4.5</td> </tr> <tr> <td>Bit No. 8</td> <td>0</td> <td>0</td> <td>1</td> <td>1</td> </tr> <tr> <td>Bit No. 7</td> <td>0</td> <td>1</td> <td>0</td> <td>1</td> </tr> </table>  | Time (sec)  | 1          | 2                    | 3          | 4.5        | Bit No. 8  | 0         | 0 | 1 | 1 | Bit No. 7 | 0 | 1         | 0 | 1         | 1 | A |   |           |   |   |   |   |   |   |
| Time (sec)           |                                       | 1   | 2   | 3          | 4.5                  |            |            |            |           |   |   |   |           |   |           |   |           |   |   |   |           |   |   |   |   |   |   |
| Bit No. 8            |                                       | 0   | 0   | 1          | 1                    |            |            |            |           |   |   |   |           |   |           |   |           |   |   |   |           |   |   |   |   |   |   |
| Bit No. 7            | 0                                     | 1   | 0   | 1          |                      |            |            |            |           |   |   |   |           |   |           |   |           |   |   |   |           |   |   |   |   |   |   |
| 7                    |                                       | 0   |   |            |                      |            |            |            |           |   |   |   |           |   |           |   |           |   |   |   |           |   |   |   |   |   |   |
| 6                    |                                       | 1   |   |            |                      |            |            |            |           |   |   |   |           |   |           |   |           |   |   |   |           |   |   |   |   |   |   |
| 5                    | Dial tone frequency upper range index | See Bit No. 1 to 3<br>(This upper range value must be higher than lower range value that defined in bit 1 to 3)   | 0   | 0          |                      |            |            |            |           |   |   |   |           |   |           |   |           |   |   |   |           |   |   |   |   |   |   |
| 4                    |                                       |   | 0   |            |                      |            |            |            |           |   |   |   |           |   |           |   |           |   |   |   |           |   |   |   |   |   |   |
| 3                    | Dial tone frequency low range index   |   | <table border="1"> <tr> <td>Frequency range (Hz)</td> <td>210 to 580</td> <td>360 to 690</td> <td>210 to 580</td> </tr> <tr> <td>Bit No. 3</td> <td>0</td> <td>0</td> <td>0</td> </tr> <tr> <td>Bit No. 2</td> <td>0</td> <td>0</td> <td>1</td> </tr> <tr> <td>Bit No. 1</td> <td>0</td> <td>1</td> <td>0</td> </tr> </table> |            | Frequency range (Hz) | 210 to 580 | 360 to 690 | 210 to 580 | Bit No. 3 | 0 | 0 | 0 | Bit No. 2 | 0 | 0         | 1 | Bit No. 1 | 0 | 1 | 0 | 0         |   |   |   |   |   |   |
| Frequency range (Hz) |                                       | 210 to 580  | 360 to 690  | 210 to 580 |                      |            |            |            |           |   |   |   |           |   |           |   |           |   |   |   |           |   |   |   |   |   |   |
| Bit No. 3            |                                       | 0   | 0   | 0          |                      |            |            |            |           |   |   |   |           |   |           |   |           |   |   |   |           |   |   |   |   |   |   |
| Bit No. 2            |                                       | 0   | 0   | 1          |                      |            |            |            |           |   |   |   |           |   |           |   |           |   |   |   |           |   |   |   |   |   |   |
| Bit No. 1            |                                       | 0   | 1   | 0          |                      |            |            |            |           |   |   |   |           |   |           |   |           |   |   |   |           |   |   |   |   |   |   |
| 2                    |                                       |   | 0   |            |                      |            |            |            |           |   |   |   |           |   |           |   |           |   |   |   |           |   |   |   |   |   |   |
| 1                    |                                       | <table border="1"> <tr> <td>Frequency range (Hz)</td> <td>360 to 690</td> <td>210 to 580</td> <td colspan="3">Reserved</td> </tr> <tr> <td>Bit No. 3</td> <td>0</td> <td>1</td> <td>1</td> <td>1</td> <td>1</td> </tr> <tr> <td>Bit No. 2</td> <td>1</td> <td>0</td> <td>0</td> <td>1</td> <td>1</td> </tr> <tr> <td>Bit No. 1</td> <td>1</td> <td>0</td> <td>1</td> <td>0</td> <td>1</td> </tr> </table> | Frequency range (Hz)  | 360 to 690 | 210 to 580           | Reserved   |            |            | Bit No. 3 | 0 | 1 | 1 | 1         | 1 | Bit No. 2 | 1 | 0         | 0 | 1 | 1 | Bit No. 1 | 1 | 0 | 1 | 0 | 1 | 0 |
|                      | Frequency range (Hz)                  | 360 to 690  | 210 to 580  | Reserved   |                      |            |            |            |           |   |   |   |           |   |           |   |           |   |   |   |           |   |   |   |   |   |   |
|                      | Bit No. 3                             | 0   | 1   | 1          | 1                    | 1          |            |            |           |   |   |   |           |   |           |   |           |   |   |   |           |   |   |   |   |   |   |
| Bit No. 2            | 1                                     | 0   | 0   | 1          | 1                    |            |            |            |           |   |   |   |           |   |           |   |           |   |   |   |           |   |   |   |   |   |   |
| Bit No. 1            | 1                                     | 0   | 1   | 0          | 1                    |            |            |            |           |   |   |   |           |   |           |   |           |   |   |   |           |   |   |   |   |   |   |
|                      |                                       |   | 0   |            |                      |            |            |            |           |   |   |   |           |   |           |   |           |   |   |   |           |   |   |   |   |   |   |
|                      |                                       |   | 0   |            |                      |            |            |            |           |   |   |   |           |   |           |   |           |   |   |   |           |   |   |   |   |   |   |

bizhub C25

ADJUSTMENT / SETTING

**14.3.38 SOFT SWITCH: #36**

bizhub C25

| Bit No.   | Designation   | Function  | Initial setting |     |    |    |    |    |    |    |           |           |   |   |   |   |   |   |   |           |           |   |   |   |   |   |   |   |           |           |   |   |   |   |   |   |   |           |           |   |   |   |   |   |   |   |   |   |   |
|-----------|---|---|-----------------|-----|----|----|----|----|----|----|-----------|-----------|---|---|---|---|---|---|---|-----------|-----------|---|---|---|---|---|---|---|-----------|-----------|---|---|---|---|---|---|---|-----------|-----------|---|---|---|---|---|---|---|---|---|---|
|           |   |   | Bit             | HEX |    |    |    |    |    |    |           |           |   |   |   |   |   |   |   |           |           |   |   |   |   |   |   |   |           |           |   |   |   |   |   |   |   |           |           |   |   |   |   |   |   |   |   |   |   |
| 8         | Re-dial attempts continue fail counter (Using for detect line problem error)  | 0: No any limitation  | 1               | 8   |    |    |    |    |    |    |           |           |   |   |   |   |   |   |   |           |           |   |   |   |   |   |   |   |           |           |   |   |   |   |   |   |   |           |           |   |   |   |   |   |   |   |   |   |   |
|           |   | 1: limit up to bit 1 to 4   |                 |     |    |    |    |    |    |    |           |           |   |   |   |   |   |   |   |           |           |   |   |   |   |   |   |   |           |           |   |   |   |   |   |   |   |           |           |   |   |   |   |   |   |   |   |   |   |
| 7         |   | Reserved  |                 |     | 0  |    |    |    |    |    |           |           |   |   |   |   |   |   |   |           |           |   |   |   |   |   |   |   |           |           |   |   |   |   |   |   |   |           |           |   |   |   |   |   |   |   |   |   |   |
| 6         |   |   |                 |     | 0  |    |    |    |    |    |           |           |   |   |   |   |   |   |   |           |           |   |   |   |   |   |   |   |           |           |   |   |   |   |   |   |   |           |           |   |   |   |   |   |   |   |   |   |   |
| 5         | 0   |   |                 |     |    |    |    |    |    |    |           |           |   |   |   |   |   |   |   |           |           |   |   |   |   |   |   |   |           |           |   |   |   |   |   |   |   |           |           |   |   |   |   |   |   |   |   |   |   |
| 4         | Re-dial attempts fail limitation counter (Using for detect line problem error)  | <table border="1"> <tr><td>Counter</td><td>0</td><td>1</td><td>2</td><td>3</td><td>4</td><td>5</td><td>6</td><td>7</td></tr> <tr><td>Bit No. 4</td><td>0</td><td>0</td><td>0</td><td>0</td><td>0</td><td>0</td><td>0</td><td>0</td></tr> <tr><td>Bit No. 3</td><td>0</td><td>0</td><td>0</td><td>0</td><td>1</td><td>1</td><td>1</td><td>1</td></tr> <tr><td>Bit No. 2</td><td>0</td><td>0</td><td>1</td><td>1</td><td>0</td><td>0</td><td>1</td><td>1</td></tr> <tr><td>Bit No. 1</td><td>0</td><td>1</td><td>0</td><td>1</td><td>0</td><td>1</td><td>0</td><td>1</td></tr> </table>       | Counter         | 0   | 1  | 2  | 3  | 4  | 5  | 6  | 7         | Bit No. 4 | 0 | 0 | 0 | 0 | 0 | 0 | 0 | 0         | Bit No. 3 | 0 | 0 | 0 | 0 | 1 | 1 | 1 | 1         | Bit No. 2 | 0 | 0 | 1 | 1 | 0 | 0 | 1 | 1         | Bit No. 1 | 0 | 1 | 0 | 1 | 0 | 1 | 0 | 1 | 1 | A |
| Counter   |   | 0   | 1               | 2   | 3  | 4  | 5  | 6  | 7  |    |           |           |   |   |   |   |   |   |   |           |           |   |   |   |   |   |   |   |           |           |   |   |   |   |   |   |   |           |           |   |   |   |   |   |   |   |   |   |   |
| Bit No. 4 |   | 0   | 0               | 0   | 0  | 0  | 0  | 0  | 0  |    |           |           |   |   |   |   |   |   |   |           |           |   |   |   |   |   |   |   |           |           |   |   |   |   |   |   |   |           |           |   |   |   |   |   |   |   |   |   |   |
| Bit No. 3 |   | 0   | 0               | 0   | 0  | 1  | 1  | 1  | 1  |    |           |           |   |   |   |   |   |   |   |           |           |   |   |   |   |   |   |   |           |           |   |   |   |   |   |   |   |           |           |   |   |   |   |   |   |   |   |   |   |
| Bit No. 2 |   | 0   | 0               | 1   | 1  | 0  | 0  | 1  | 1  |    |           |           |   |   |   |   |   |   |   |           |           |   |   |   |   |   |   |   |           |           |   |   |   |   |   |   |   |           |           |   |   |   |   |   |   |   |   |   |   |
| Bit No. 1 |   | 0   | 1               | 0   | 1  | 0  | 1  | 0  | 1  |    |           |           |   |   |   |   |   |   |   |           |           |   |   |   |   |   |   |   |           |           |   |   |   |   |   |   |   |           |           |   |   |   |   |   |   |   |   |   |   |
| 3         |   | <table border="1"> <tr><td>Counter</td><td>8</td><td>9</td><td>10</td><td>11</td><td>12</td><td>13</td><td>14</td><td>15</td></tr> <tr><td>Bit No. 4</td><td>0</td><td>0</td><td>0</td><td>0</td><td>1</td><td>1</td><td>1</td><td>1</td></tr> <tr><td>Bit No. 3</td><td>0</td><td>0</td><td>0</td><td>0</td><td>1</td><td>1</td><td>1</td><td>1</td></tr> <tr><td>Bit No. 2</td><td>0</td><td>0</td><td>1</td><td>1</td><td>0</td><td>0</td><td>1</td><td>1</td></tr> <tr><td>Bit No. 1</td><td>0</td><td>1</td><td>0</td><td>1</td><td>0</td><td>1</td><td>0</td><td>1</td></tr> </table> | Counter         | 8   | 9  | 10 | 11 | 12 | 13 | 14 | 15        | Bit No. 4 | 0 | 0 | 0 | 0 | 1 | 1 | 1 | 1         | Bit No. 3 | 0 | 0 | 0 | 0 | 1 | 1 | 1 | 1         | Bit No. 2 | 0 | 0 | 1 | 1 | 0 | 0 | 1 | 1         | Bit No. 1 | 0 | 1 | 0 | 1 | 0 | 1 | 0 | 1 | 0 |   |
| Counter   |   | 8   | 9               | 10  | 11 | 12 | 13 | 14 | 15 |    |           |           |   |   |   |   |   |   |   |           |           |   |   |   |   |   |   |   |           |           |   |   |   |   |   |   |   |           |           |   |   |   |   |   |   |   |   |   |   |
| Bit No. 4 | 0   | 0   | 0               | 0   | 1  | 1  | 1  | 1  |    |    |           |           |   |   |   |   |   |   |   |           |           |   |   |   |   |   |   |   |           |           |   |   |   |   |   |   |   |           |           |   |   |   |   |   |   |   |   |   |   |
| Bit No. 3 | 0   | 0   | 0               | 0   | 1  | 1  | 1  | 1  |    |    |           |           |   |   |   |   |   |   |   |           |           |   |   |   |   |   |   |   |           |           |   |   |   |   |   |   |   |           |           |   |   |   |   |   |   |   |   |   |   |
| Bit No. 2 | 0   | 0   | 1               | 1   | 0  | 0  | 1  | 1  |    |    |           |           |   |   |   |   |   |   |   |           |           |   |   |   |   |   |   |   |           |           |   |   |   |   |   |   |   |           |           |   |   |   |   |   |   |   |   |   |   |
| Bit No. 1 | 0   | 1   | 0               | 1   | 0  | 1  | 0  | 1  |    |    |           |           |   |   |   |   |   |   |   |           |           |   |   |   |   |   |   |   |           |           |   |   |   |   |   |   |   |           |           |   |   |   |   |   |   |   |   |   |   |
| 2         | <table border="1"> <tr><td>Counter</td><td>8</td><td>9</td><td>10</td><td>11</td><td>12</td><td>13</td><td>14</td><td>15</td></tr> <tr><td>Bit No. 4</td><td>1</td><td>1</td><td>1</td><td>1</td><td>1</td><td>1</td><td>1</td><td>1</td></tr> <tr><td>Bit No. 3</td><td>0</td><td>0</td><td>0</td><td>0</td><td>1</td><td>1</td><td>1</td><td>1</td></tr> <tr><td>Bit No. 2</td><td>0</td><td>0</td><td>1</td><td>1</td><td>0</td><td>0</td><td>1</td><td>1</td></tr> <tr><td>Bit No. 1</td><td>0</td><td>1</td><td>0</td><td>1</td><td>0</td><td>1</td><td>0</td><td>1</td></tr> </table> | Counter   | 8               | 9   | 10 | 11 | 12 | 13 | 14 | 15 | Bit No. 4 | 1         | 1 | 1 | 1 | 1 | 1 | 1 | 1 | Bit No. 3 | 0         | 0 | 0 | 0 | 1 | 1 | 1 | 1 | Bit No. 2 | 0         | 0 | 1 | 1 | 0 | 0 | 1 | 1 | Bit No. 1 | 0         | 1 | 0 | 1 | 0 | 1 | 0 | 1 | 1 |   |   |
| Counter   | 8   | 9   | 10              | 11  | 12 | 13 | 14 | 15 |    |    |           |           |   |   |   |   |   |   |   |           |           |   |   |   |   |   |   |   |           |           |   |   |   |   |   |   |   |           |           |   |   |   |   |   |   |   |   |   |   |
| Bit No. 4 | 1   | 1   | 1               | 1   | 1  | 1  | 1  | 1  |    |    |           |           |   |   |   |   |   |   |   |           |           |   |   |   |   |   |   |   |           |           |   |   |   |   |   |   |   |           |           |   |   |   |   |   |   |   |   |   |   |
| Bit No. 3 | 0   | 0   | 0               | 0   | 1  | 1  | 1  | 1  |    |    |           |           |   |   |   |   |   |   |   |           |           |   |   |   |   |   |   |   |           |           |   |   |   |   |   |   |   |           |           |   |   |   |   |   |   |   |   |   |   |
| Bit No. 2 | 0   | 0   | 1               | 1   | 0  | 0  | 1  | 1  |    |    |           |           |   |   |   |   |   |   |   |           |           |   |   |   |   |   |   |   |           |           |   |   |   |   |   |   |   |           |           |   |   |   |   |   |   |   |   |   |   |
| Bit No. 1 | 0   | 1   | 0               | 1   | 0  | 1  | 0  | 1  |    |    |           |           |   |   |   |   |   |   |   |           |           |   |   |   |   |   |   |   |           |           |   |   |   |   |   |   |   |           |           |   |   |   |   |   |   |   |   |   |   |
| 1         | <table border="1"> <tr><td>Counter</td><td>8</td><td>9</td><td>10</td><td>11</td><td>12</td><td>13</td><td>14</td><td>15</td></tr> <tr><td>Bit No. 4</td><td>1</td><td>1</td><td>1</td><td>1</td><td>1</td><td>1</td><td>1</td><td>1</td></tr> <tr><td>Bit No. 3</td><td>0</td><td>0</td><td>0</td><td>0</td><td>1</td><td>1</td><td>1</td><td>1</td></tr> <tr><td>Bit No. 2</td><td>0</td><td>0</td><td>1</td><td>1</td><td>0</td><td>0</td><td>1</td><td>1</td></tr> <tr><td>Bit No. 1</td><td>0</td><td>1</td><td>0</td><td>1</td><td>0</td><td>1</td><td>0</td><td>1</td></tr> </table> | Counter   | 8               | 9   | 10 | 11 | 12 | 13 | 14 | 15 | Bit No. 4 | 1         | 1 | 1 | 1 | 1 | 1 | 1 | 1 | Bit No. 3 | 0         | 0 | 0 | 0 | 1 | 1 | 1 | 1 | Bit No. 2 | 0         | 0 | 1 | 1 | 0 | 0 | 1 | 1 | Bit No. 1 | 0         | 1 | 0 | 1 | 0 | 1 | 0 | 1 | 0 |   |   |
| Counter   | 8   | 9   | 10              | 11  | 12 | 13 | 14 | 15 |    |    |           |           |   |   |   |   |   |   |   |           |           |   |   |   |   |   |   |   |           |           |   |   |   |   |   |   |   |           |           |   |   |   |   |   |   |   |   |   |   |
| Bit No. 4 | 1   | 1   | 1               | 1   | 1  | 1  | 1  | 1  |    |    |           |           |   |   |   |   |   |   |   |           |           |   |   |   |   |   |   |   |           |           |   |   |   |   |   |   |   |           |           |   |   |   |   |   |   |   |   |   |   |
| Bit No. 3 | 0   | 0   | 0               | 0   | 1  | 1  | 1  | 1  |    |    |           |           |   |   |   |   |   |   |   |           |           |   |   |   |   |   |   |   |           |           |   |   |   |   |   |   |   |           |           |   |   |   |   |   |   |   |   |   |   |
| Bit No. 2 | 0   | 0   | 1               | 1   | 0  | 0  | 1  | 1  |    |    |           |           |   |   |   |   |   |   |   |           |           |   |   |   |   |   |   |   |           |           |   |   |   |   |   |   |   |           |           |   |   |   |   |   |   |   |   |   |   |
| Bit No. 1 | 0   | 1   | 0               | 1   | 0  | 1  | 0  | 1  |    |    |           |           |   |   |   |   |   |   |   |           |           |   |   |   |   |   |   |   |           |           |   |   |   |   |   |   |   |           |           |   |   |   |   |   |   |   |   |   |   |

ADJUSTMENT / SETTING



**14.3.39 SOFT SWITCH: #37**

| Bit No.             | Designation   | Function   | Initial setting     |      |      |      |      |            |                   |      |      |      |      |           |           |   |   |   |   |           |           |   |   |   |   |           |           |   |   |   |   |   |   |   |
|---------------------|---|--|---------------------|------|------|------|------|------------|-------------------|------|------|------|------|-----------|-----------|---|---|---|---|-----------|-----------|---|---|---|---|-----------|-----------|---|---|---|---|---|---|---|
|                     |   |  | Bit                 | HEX  |      |      |      |            |                   |      |      |      |      |           |           |   |   |   |   |           |           |   |   |   |   |           |           |   |   |   |   |   |   |   |
| 8                   | Reserved  | Reserved   | 0                   | 0    |      |      |      |            |                   |      |      |      |      |           |           |   |   |   |   |           |           |   |   |   |   |           |           |   |   |   |   |   |   |   |
| 7                   | Auto dial learning for V.34 modem   | 0: Yes - Skip V.34 handshaking with remote side<br>1: No - Retry from V.8 handshake  | 0                   |      |      |      |      |            |                   |      |      |      |      |           |           |   |   |   |   |           |           |   |   |   |   |           |           |   |   |   |   |   |   |   |
| 6                   | RX start symbol rate for V.34 modem   | See Bit No. 1 to 3   | 0                   |      |      |      |      |            |                   |      |      |      |      |           |           |   |   |   |   |           |           |   |   |   |   |           |           |   |   |   |   |   |   |   |
| 5                   |   |  | 0                   |      |      |      |      |            |                   |      |      |      |      |           |           |   |   |   |   |           |           |   |   |   |   |           |           |   |   |   |   |   |   |   |
| 4                   |   |  | 0                   |      |      |      |      |            |                   |      |      |      |      |           |           |   |   |   |   |           |           |   |   |   |   |           |           |   |   |   |   |   |   |   |
| 3                   | TX start symbol rate for V.34 modem   | <table border="1"> <tr> <td>Symbol rate (sym/s)</td> <td>3429</td> <td>3200</td> <td>3000</td> <td>2800</td> <td>2400</td> </tr> <tr> <td>Max. speed (kbps)</td> <td>33.6</td> <td>31.2</td> <td>28.8</td> <td>26.4</td> <td>21.6</td> </tr> <tr> <td>Bit No. 3</td> <td>0</td> <td>0</td> <td>0</td> <td>0</td> <td>1</td> </tr> <tr> <td>Bit No. 2</td> <td>0</td> <td>0</td> <td>1</td> <td>1</td> <td>0</td> </tr> <tr> <td>Bit No. 1</td> <td>0</td> <td>1</td> <td>0</td> <td>1</td> <td>0</td> </tr> </table> | Symbol rate (sym/s) | 3429 | 3200 | 3000 | 2800 | 2400       | Max. speed (kbps) | 33.6 | 31.2 | 28.8 | 26.4 | 21.6      | Bit No. 3 | 0 | 0 | 0 | 0 | 1         | Bit No. 2 | 0 | 0 | 1 | 1 | 0         | Bit No. 1 | 0 | 1 | 0 | 1 | 0 | 0 | 0 |
| Symbol rate (sym/s) |   | 3429   | 3200                | 3000 | 2800 | 2400 |      |            |                   |      |      |      |      |           |           |   |   |   |   |           |           |   |   |   |   |           |           |   |   |   |   |   |   |   |
| Max. speed (kbps)   |   | 33.6   | 31.2                | 28.8 | 26.4 | 21.6 |      |            |                   |      |      |      |      |           |           |   |   |   |   |           |           |   |   |   |   |           |           |   |   |   |   |   |   |   |
| Bit No. 3           |   | 0  | 0                   | 0    | 0    | 1    |      |            |                   |      |      |      |      |           |           |   |   |   |   |           |           |   |   |   |   |           |           |   |   |   |   |   |   |   |
| Bit No. 2           |   | 0  | 0                   | 1    | 1    | 0    |      |            |                   |      |      |      |      |           |           |   |   |   |   |           |           |   |   |   |   |           |           |   |   |   |   |   |   |   |
| Bit No. 1           | 0   | 1  | 0                   | 1    | 0    |      |      |            |                   |      |      |      |      |           |           |   |   |   |   |           |           |   |   |   |   |           |           |   |   |   |   |   |   |   |
| 2                   | <table border="1"> <tr> <td>Symbol rate</td> <td colspan="5">Reserved</td> </tr> <tr> <td>Max. speed</td> <td colspan="5">Reserved</td> </tr> <tr> <td>Bit No. 3</td> <td>1</td> <td>1</td> <td>1</td> <td></td> <td></td> </tr> <tr> <td>Bit No. 2</td> <td>0</td> <td>1</td> <td>1</td> <td></td> <td></td> </tr> <tr> <td>Bit No. 1</td> <td>1</td> <td>0</td> <td>1</td> <td></td> <td></td> </tr> </table> | Symbol rate  | Reserved            |      |      |      |      | Max. speed | Reserved          |      |      |      |      | Bit No. 3 | 1         | 1 | 1 |   |   | Bit No. 2 | 0         | 1 | 1 |   |   | Bit No. 1 | 1         | 0 | 1 |   |   | 0 |   |   |
| Symbol rate         | Reserved  |  |                     |      |      |      |      |            |                   |      |      |      |      |           |           |   |   |   |   |           |           |   |   |   |   |           |           |   |   |   |   |   |   |   |
| Max. speed          | Reserved  |  |                     |      |      |      |      |            |                   |      |      |      |      |           |           |   |   |   |   |           |           |   |   |   |   |           |           |   |   |   |   |   |   |   |
| Bit No. 3           | 1   | 1  | 1                   |      |      |      |      |            |                   |      |      |      |      |           |           |   |   |   |   |           |           |   |   |   |   |           |           |   |   |   |   |   |   |   |
| Bit No. 2           | 0   | 1  | 1                   |      |      |      |      |            |                   |      |      |      |      |           |           |   |   |   |   |           |           |   |   |   |   |           |           |   |   |   |   |   |   |   |
| Bit No. 1           | 1   | 0  | 1                   |      |      |      |      |            |                   |      |      |      |      |           |           |   |   |   |   |           |           |   |   |   |   |           |           |   |   |   |   |   |   |   |
| 1                   | <table border="1"> <tr> <td>Symbol rate</td> <td colspan="5">Reserved</td> </tr> <tr> <td>Max. speed</td> <td colspan="5">Reserved</td> </tr> <tr> <td>Bit No. 3</td> <td>1</td> <td>1</td> <td>1</td> <td></td> <td></td> </tr> <tr> <td>Bit No. 2</td> <td>0</td> <td>1</td> <td>1</td> <td></td> <td></td> </tr> <tr> <td>Bit No. 1</td> <td>1</td> <td>0</td> <td>1</td> <td></td> <td></td> </tr> </table> | Symbol rate  | Reserved            |      |      |      |      | Max. speed | Reserved          |      |      |      |      | Bit No. 3 | 1         | 1 | 1 |   |   | Bit No. 2 | 0         | 1 | 1 |   |   | Bit No. 1 | 1         | 0 | 1 |   |   | 0 |   |   |
| Symbol rate         | Reserved  |  |                     |      |      |      |      |            |                   |      |      |      |      |           |           |   |   |   |   |           |           |   |   |   |   |           |           |   |   |   |   |   |   |   |
| Max. speed          | Reserved  |  |                     |      |      |      |      |            |                   |      |      |      |      |           |           |   |   |   |   |           |           |   |   |   |   |           |           |   |   |   |   |   |   |   |
| Bit No. 3           | 1   | 1  | 1                   |      |      |      |      |            |                   |      |      |      |      |           |           |   |   |   |   |           |           |   |   |   |   |           |           |   |   |   |   |   |   |   |
| Bit No. 2           | 0   | 1  | 1                   |      |      |      |      |            |                   |      |      |      |      |           |           |   |   |   |   |           |           |   |   |   |   |           |           |   |   |   |   |   |   |   |
| Bit No. 1           | 1   | 0  | 1                   |      |      |      |      |            |                   |      |      |      |      |           |           |   |   |   |   |           |           |   |   |   |   |           |           |   |   |   |   |   |   |   |

**14.3.40 SOFT SWITCH: #38**

| Bit No.      | Designation   | Function  | Initial setting |     |    |    |           |    |           |   |   |   |   |           |   |   |   |   |   |
|--------------|---|---|-----------------|-----|----|----|-----------|----|-----------|---|---|---|---|-----------|---|---|---|---|---|
|              |   |   | Bit             | HEX |    |    |           |    |           |   |   |   |   |           |   |   |   |   |   |
| 8            | Reserved  | Reserved  | 0               | 2   |    |    |           |    |           |   |   |   |   |           |   |   |   |   |   |
| 7            |   |   | 0               |     |    |    |           |    |           |   |   |   |   |           |   |   |   |   |   |
| 6            | V.34 flag number between ECM frame  | <table border="1"> <tr> <td>Flags number</td> <td>1</td> <td>2</td> <td>3</td> <td>15</td> </tr> <tr> <td>Bit No. 6</td> <td>0</td> <td>0</td> <td>1</td> <td>1</td> </tr> <tr> <td>Bit No. 5</td> <td>0</td> <td>1</td> <td>0</td> <td>1</td> </tr> </table> | Flags number    |     | 1  | 2  | 3         | 15 | Bit No. 6 | 0 | 0 | 1 | 1 | Bit No. 5 | 0 | 1 | 0 | 1 | 1 |
| Flags number |   | 1   | 2               | 3   | 15 |    |           |    |           |   |   |   |   |           |   |   |   |   |   |
| Bit No. 6    |   | 0   | 0               | 1   | 1  |    |           |    |           |   |   |   |   |           |   |   |   |   |   |
| Bit No. 5    | 0   | 1   | 0               | 1   |    |    |           |    |           |   |   |   |   |           |   |   |   |   |   |
| 5            | <table border="1"> <tr> <td>Bit No. 6</td> <td>0</td> <td>0</td> <td>1</td> <td>1</td> </tr> <tr> <td>Bit No. 5</td> <td>0</td> <td>1</td> <td>0</td> <td>1</td> </tr> </table> | Bit No. 6   | 0               | 0   | 1  | 1  | Bit No. 5 | 0  | 1         | 0 | 1 | 0 |   |           |   |   |   |   |   |
| Bit No. 6    | 0   | 0   | 1               | 1   |    |    |           |    |           |   |   |   |   |           |   |   |   |   |   |
| Bit No. 5    | 0   | 1   | 0               | 1   |    |    |           |    |           |   |   |   |   |           |   |   |   |   |   |
| 4            | Phase 2 guard tone power level (V.34)   | 0: Normal power level<br>1: -7 db of normal power level   | 0               | 1   |    |    |           |    |           |   |   |   |   |           |   |   |   |   |   |
| 3            | Host detects ringing status in low frequency or one cycle   | <table border="1"> <tr> <td>Time (ms)</td> <td>16</td> <td>24</td> <td>36</td> <td>48</td> </tr> <tr> <td>Bit No. 3</td> <td>0</td> <td>0</td> <td>1</td> <td>1</td> </tr> <tr> <td>Bit No. 2</td> <td>0</td> <td>1</td> <td>0</td> <td>1</td> </tr> </table> | Time (ms)       |     | 16 | 24 | 36        | 48 | Bit No. 3 | 0 | 0 | 1 | 1 | Bit No. 2 | 0 | 1 | 0 | 1 | 0 |
| Time (ms)    |   | 16  | 24              |     | 36 | 48 |           |    |           |   |   |   |   |           |   |   |   |   |   |
| Bit No. 3    |   | 0   | 0               |     | 1  | 1  |           |    |           |   |   |   |   |           |   |   |   |   |   |
| Bit No. 2    | 0   | 1   | 0               | 1   |    |    |           |    |           |   |   |   |   |           |   |   |   |   |   |
| 2            | <table border="1"> <tr> <td>Bit No. 3</td> <td>0</td> <td>0</td> <td>1</td> <td>1</td> </tr> <tr> <td>Bit No. 2</td> <td>0</td> <td>1</td> <td>0</td> <td>1</td> </tr> </table> | Bit No. 3   | 0               | 0   | 1  | 1  | Bit No. 2 | 0  | 1         | 0 | 1 | 0 |   |           |   |   |   |   |   |
| Bit No. 3    | 0   | 0   | 1               | 1   |    |    |           |    |           |   |   |   |   |           |   |   |   |   |   |
| Bit No. 2    | 0   | 1   | 0               | 1   |    |    |           |    |           |   |   |   |   |           |   |   |   |   |   |
| 1            | V.8 /V.34 capability  | 0: No<br>1: Yes   | 1               |     |    |    |           |    |           |   |   |   |   |           |   |   |   |   |   |

bizhub C25

ADJUSTMENT / SETTING

**14.3.41 SOFT SWITCH: #39**

| Bit No.         | Designation   | Function  | Initial setting |     |   |     |     |     |           |   |   |   |   |           |   |   |   |   |   |
|-----------------|---|---|-----------------|-----|---|-----|-----|-----|-----------|---|---|---|---|-----------|---|---|---|---|---|
|                 |   |   | Bit             | HEX |   |     |     |     |           |   |   |   |   |           |   |   |   |   |   |
| 8               | Disable V.34 TX for V.34 modem  | 0: No   | 0               | 0   |   |     |     |     |           |   |   |   |   |           |   |   |   |   |   |
|                 |   | 1: Yes  |                 |     |   |     |     |     |           |   |   |   |   |           |   |   |   |   |   |
| 7               | Disable V.34 RX for V.34 modem  | 0: No   | 0               |     |   |     |     |     |           |   |   |   |   |           |   |   |   |   |   |
|                 |   | 1: Yes  |                 |     |   |     |     |     |           |   |   |   |   |           |   |   |   |   |   |
| 6               | Flags number in FSK for V.34 modem                                      | <table border="1"> <tr> <td>Flags number</td> <td>1</td> <td>2</td> <td>3</td> <td>4</td> </tr> <tr> <td>Bit No. 6</td> <td>0</td> <td>0</td> <td>1</td> <td>1</td> </tr> <tr> <td>Bit No. 5</td> <td>0</td> <td>1</td> <td>0</td> <td>1</td> </tr> </table>            | Flags number    |     | 1 | 2   | 3   | 4   | Bit No. 6 | 0 | 0 | 1 | 1 | Bit No. 5 | 0 | 1 | 0 | 1 | 0 |
| Flags number    |   | 1   | 2               |     | 3 | 4   |     |     |           |   |   |   |   |           |   |   |   |   |   |
| Bit No. 6       |   | 0   | 0               |     | 1 | 1   |     |     |           |   |   |   |   |           |   |   |   |   |   |
| Bit No. 5       | 0   | 1   | 0               |     | 1 |     |     |     |           |   |   |   |   |           |   |   |   |   |   |
| 5               |   |   | 0               |     |   |     |     |     |           |   |   |   |   |           |   |   |   |   |   |
| 4               | Manual TX mode for V.34 modem   | 0: V.8 - Start handshake from V.8   | 0               |     | 1 |     |     |     |           |   |   |   |   |           |   |   |   |   |   |
|                 |   | 1: V.17   |                 |     |   |     |     |     |           |   |   |   |   |           |   |   |   |   |   |
| 3               | Switch from V.17 to V.34 if DIS Bit 6 set after received DIS            | 0: Yes - Start V.8 handshaking, but only first time   | 0               |     |   |     |     |     |           |   |   |   |   |           |   |   |   |   |   |
|                 |   | 1: No - Continue start with V.17  |                 |     |   |     |     |     |           |   |   |   |   |           |   |   |   |   |   |
| 2               | Delay time in primary channel for V.34 transmit after CFR or MCF signal | <table border="1"> <tr> <td>Delay time (ms)</td> <td>100</td> <td>200</td> <td>300</td> <td>500</td> </tr> <tr> <td>Bit No. 2</td> <td>0</td> <td>0</td> <td>1</td> <td>1</td> </tr> <tr> <td>Bit No. 1</td> <td>0</td> <td>1</td> <td>0</td> <td>1</td> </tr> </table> | Delay time (ms) | 100 |   | 200 | 300 | 500 | Bit No. 2 | 0 | 0 | 1 | 1 | Bit No. 1 | 0 | 1 | 0 | 1 | 0 |
| Delay time (ms) |   | 100   | 200             | 300 |   | 500 |     |     |           |   |   |   |   |           |   |   |   |   |   |
| Bit No. 2       |   | 0   | 0               | 1   |   | 1   |     |     |           |   |   |   |   |           |   |   |   |   |   |
| Bit No. 1       | 0   | 1   | 0               | 1   |   |     |     |     |           |   |   |   |   |           |   |   |   |   |   |
| 1               |   |   | 1               |     |   |     |     |     |           |   |   |   |   |           |   |   |   |   |   |

bizhub C25

ADJUSTMENT / SETTING

14.3.42 SOFT SWITCH: #40

| Bit No. | Designation  | Function    | Initial setting |       |       |       |          |   |   |   |
|---------|--|-------------|-----------------|-------|-------|-------|----------|---|---|---|
|         |  |             | Bit             | HEX   |       |       |          |   |   |   |
| 8       | V.17 RX start speed select receiving start speed for V.17    | Speed (bps) | V.17            | V.17  | V.17  | V.17  | 0        | 0 |   |   |
|         |  |             | 14400           | 12000 | 9600  | 7200  |          |   |   |   |
|         |  | Bit No. 8   | 0               | 0     | 0     | 0     |          |   |   |   |
|         |  | Bit No. 7   | 0               | 0     | 0     | 0     |          |   |   |   |
| 7       |  |             | Bit No. 6       | 0     | 0     | 1     | 1        |   | 0 |   |
|         |  |             | Bit No. 5       | 0     | 1     | 0     | 1        |   |   |   |
| 6       |  |             | Speed (bps)     | V.29  | V.29  | V.27  | V.27 ter |   | 0 |   |
|         |  |             |                 | 9600  | 7200  | 4800  | 2400     |   |   |   |
|         |  | Bit No. 8   | 0               | 0     | 0     | 0     |          |   |   |   |
|         |  | Bit No. 7   | 1               | 1     | 1     | 1     |          |   |   |   |
| 5       |  |             | Bit No. 6       | 0     | 0     | 1     | 1        |   | 0 |   |
|         |  |             | Bit No. 5       | 0     | 1     | 0     | 1        |   |   |   |
| 5       |  | Speed       | Reserved        |       |       |       |          |   |   | 0 |
|         | Bit No. 8  | 1           | 1               | 1     | 1     | 1     | 1        | 1 |   |   |
|         | Bit No. 7  | 0           | 0               | 0     | 0     | 1     | 1        | 1 | 1 |   |
|         | Bit No. 6  | 0           | 0               | 1     | 1     | 0     | 0        | 1 | 1 |   |
|         |  | Bit No. 5   | 0               | 1     | 0     | 1     | 0        | 1 |   |   |
| 4       | Reserved   | Reserved    | 0               |       |       |       |          |   |   |   |
| 3       | V.34 RX start speed prohibit V.34 mode when upper speed less | Speed (bps) | V.34            | V.34  | V.34  | V.34  | 0        |   |   |   |
|         |  |             | 33600           | 31200 | 28800 | 26400 |          |   |   |   |
|         |  | Bit No. 3   | 0               | 0     | 0     | 0     |          |   |   |   |
|         |  | Bit No. 2   | 0               | 0     | 1     | 1     |          |   |   |   |
| 2       |  |             | Bit No. 1       | 0     | 1     | 0     | 1        | 0 |   |   |
|         |  |             | Speed (bps)     | V.34  | V.34  | V.34  | V.34     |   |   |   |
| 1       |  |             |                 | 24000 | 21600 | 19200 | 16800    | 0 |   |   |
|         |  | Bit No. 3   | 1               | 1     | 1     | 1     |          |   |   |   |
|         | Bit No. 2  | 0           | 0               | 1     | 1     |       |          |   |   |   |
|         | Bit No. 1  | 0           | 1               | 0     | 1     |       |          |   |   |   |

bizhub C25

ADJUSTMENT / SETTING

14.3.43 SOFT SWITCH: #41

bizhub C25

ADJUSTMENT / SETTING

| Bit No. | Designation  | Function    | Initial setting |       |       |       |          |   |   |   |
|---------|--|-------------|-----------------|-------|-------|-------|----------|---|---|---|
|         |  |             | Bit             | HEX   |       |       |          |   |   |   |
| 8       | V.17 TX start speed select receiving start speed for V.17    | Speed (bps) | V.17            | V.17  | V.17  | V.17  | 0        | 0 |   |   |
|         |  |             | 14400           | 12000 | 9600  | 7200  |          |   |   |   |
|         |  | Bit No. 8   | 0               | 0     | 0     | 0     |          |   |   |   |
|         |  | Bit No. 7   | 0               | 0     | 0     | 0     |          |   |   |   |
| 7       |  |             | Bit No. 6       | 0     | 0     | 1     | 1        |   | 0 |   |
|         |  |             | Bit No. 5       | 0     | 1     | 0     | 1        |   |   |   |
| 6       |  |             | Speed (bps)     | V.29  | V.29  | V.27  | V.27 ter |   | 0 |   |
|         |  |             |                 | 9600  | 7200  | 4800  | 2400     |   |   |   |
|         |  | Bit No. 8   | 0               | 0     | 0     | 0     |          |   |   |   |
|         |  | Bit No. 7   | 1               | 1     | 1     | 1     |          |   |   |   |
| 6       |  |             | Bit No. 6       | 0     | 0     | 1     | 1        |   | 0 |   |
|         |  |             | Bit No. 5       | 0     | 1     | 0     | 1        |   |   |   |
| 5       |  | Speed       | Reserved        |       |       |       |          |   | 0 |   |
|         | Bit No. 8  | 1           | 1               | 1     | 1     | 1     | 1        | 1 |   |   |
|         | Bit No. 7  | 0           | 0               | 0     | 0     | 1     | 1        | 1 |   | 1 |
|         | Bit No. 6  | 0           | 0               | 1     | 1     | 0     | 0        | 1 |   | 1 |
|         | Bit No. 5  | 0           | 1               | 0     | 1     | 0     | 1        | 0 |   | 1 |
| 4       | Reserved   | Reserved    |                 |       |       |       | 0        |   |   |   |
| 3       | V.34 TX start speed prohibit V.34 mode when upper speed less | Speed (bps) | V.34            | V.34  | V.34  | V.34  | 0        |   |   |   |
|         |  |             | 33600           | 31200 | 28800 | 26400 |          |   |   |   |
|         |  | Bit No. 3   | 0               | 0     | 0     | 0     |          |   |   |   |
| 2       |  |             | Bit No. 2       | 0     | 0     | 1     | 1        | 0 |   |   |
|         |  |             | Bit No. 1       | 0     | 1     | 0     | 1        |   |   |   |
| 1       |  |             | Speed (bps)     | V.34  | V.34  | V.34  | V.34     | 0 |   |   |
|         |  |             | 24000           | 21600 | 19200 | 16800 |          |   |   |   |
|         | Bit No. 3  | 1           | 1               | 1     | 1     |       |          |   |   |   |
|         | Bit No. 2  | 0           | 0               | 1     | 1     |       |          |   |   |   |
|         |  | Bit No. 1   | 0               | 1     | 0     | 1     |          |   |   |   |

**14.3.44 SOFT SWITCH: #42**

| Bit No. | Designation | Function | Initial setting |     |
|---------|-------------|----------|-----------------|-----|
|         |             |          | Bit             | HEX |
| 8       | Reserved    | Reserved | 0               | 0   |
| 7       |             |          | 0               |     |
| 6       |             |          | 0               |     |
| 5       |             |          | 0               |     |
| 4       |             |          | 0               | 0   |
| 3       |             |          | 0               |     |
| 2       |             |          | 0               |     |
| 1       |             |          | 0               |     |

**14.3.45 SOFT SWITCH: #43**

| Bit No. | Designation | Function | Initial setting |     |
|---------|-------------|----------|-----------------|-----|
|         |             |          | Bit             | HEX |
| 8       | Reserved    | Reserved | 0               | 0   |
| 7       |             |          | 0               |     |
| 6       |             |          | 0               |     |
| 5       |             |          | 0               |     |
| 4       |             |          | 0               | 0   |
| 3       |             |          | 0               |     |
| 2       |             |          | 0               |     |
| 1       |             |          | 0               |     |

**14.3.46 SOFT SWITCH: #44**

| Bit No. | Designation | Function | Initial setting |     |
|---------|-------------|----------|-----------------|-----|
|         |             |          | Bit             | HEX |
| 8       | Reserved    | Reserved | 0               | 0   |
| 7       |             |          | 0               |     |
| 6       |             |          | 0               |     |
| 5       |             |          | 0               |     |
| 4       |             |          | 0               | 0   |
| 3       |             |          | 0               |     |
| 2       |             |          | 0               |     |
| 1       |             |          | 0               |     |

bizhub C25

ADJUSTMENT / SETTING

**14.3.47 SOFT SWITCH: #45**

| Bit No.   | Designation  | Function  | Initial setting |     |   |   |   |   |           |   |   |   |   |           |   |           |   |   |   |   |   |   |           |   |           |   |   |   |   |           |   |   |   |   |   |           |   |   |   |   |   |   |   |   |   |   |           |   |   |   |   |   |   |   |   |   |   |   |   |
|-----------|--|---|-----------------|-----|---|---|---|---|-----------|---|---|---|---|-----------|---|-----------|---|---|---|---|---|---|-----------|---|-----------|---|---|---|---|-----------|---|---|---|---|---|-----------|---|---|---|---|---|---|---|---|---|---|-----------|---|---|---|---|---|---|---|---|---|---|---|---|
|           |  |   | Bit             | HEX |   |   |   |   |           |   |   |   |   |           |   |           |   |   |   |   |   |   |           |   |           |   |   |   |   |           |   |   |   |   |   |           |   |   |   |   |   |   |   |   |   |   |           |   |   |   |   |   |   |   |   |   |   |   |   |
| 8         | Reserved   | Reserved  | 0               | 0   |   |   |   |   |           |   |   |   |   |           |   |           |   |   |   |   |   |   |           |   |           |   |   |   |   |           |   |   |   |   |   |           |   |   |   |   |   |   |   |   |   |   |           |   |   |   |   |   |   |   |   |   |   |   |   |
| 7         |  |   | 0               |     |   |   |   |   |           |   |   |   |   |           |   |           |   |   |   |   |   |   |           |   |           |   |   |   |   |           |   |   |   |   |   |           |   |   |   |   |   |   |   |   |   |   |           |   |   |   |   |   |   |   |   |   |   |   |   |
| 6         |  |   | 0               |     |   |   |   |   |           |   |   |   |   |           |   |           |   |   |   |   |   |   |           |   |           |   |   |   |   |           |   |   |   |   |   |           |   |   |   |   |   |   |   |   |   |   |           |   |   |   |   |   |   |   |   |   |   |   |   |
| 5         | Call transfer  | 0: Off<br>1: On   | 0               |     |   |   |   |   |           |   |   |   |   |           |   |           |   |   |   |   |   |   |           |   |           |   |   |   |   |           |   |   |   |   |   |           |   |   |   |   |   |   |   |   |   |   |           |   |   |   |   |   |   |   |   |   |   |   |   |
| 4         | No. of call transfer   | <table border="1"> <tr><td>Value</td><td>0</td><td>1</td><td>2</td><td>3</td><td>4</td><td>5</td><td>6</td><td>7</td><td>8</td><td>9</td></tr> <tr><td>Bit No. 4</td><td>0</td><td>0</td><td>0</td><td>0</td><td>0</td><td>0</td><td>0</td><td>0</td><td>1</td><td>1</td></tr> <tr><td>Bit No. 3</td><td>0</td><td>0</td><td>0</td><td>0</td><td>1</td><td>1</td><td>1</td><td>1</td><td>0</td><td>0</td></tr> <tr><td>Bit No. 2</td><td>0</td><td>0</td><td>1</td><td>1</td><td>0</td><td>0</td><td>1</td><td>1</td><td>0</td><td>0</td></tr> <tr><td>Bit No. 1</td><td>0</td><td>1</td><td>0</td><td>1</td><td>0</td><td>1</td><td>0</td><td>1</td><td>0</td><td>1</td></tr> </table> | Value           | 0   | 1 | 2 | 3 | 4 | 5         | 6 | 7 | 8 | 9 | Bit No. 4 | 0 | 0         | 0 | 0 | 0 | 0 | 0 | 0 | 1         | 1 | Bit No. 3 | 0 | 0 | 0 | 0 | 1         | 1 | 1 | 1 | 0 | 0 | Bit No. 2 | 0 | 0 | 1 | 1 | 0 | 0 | 1 | 1 | 0 | 0 | Bit No. 1 | 0 | 1 | 0 | 1 | 0 | 1 | 0 | 1 | 0 | 1 | 0 | 0 |
| Value     |  | 0   | 1               | 2   | 3 | 4 | 5 | 6 | 7         | 8 | 9 |   |   |           |   |           |   |   |   |   |   |   |           |   |           |   |   |   |   |           |   |   |   |   |   |           |   |   |   |   |   |   |   |   |   |   |           |   |   |   |   |   |   |   |   |   |   |   |   |
| Bit No. 4 |  | 0   | 0               | 0   | 0 | 0 | 0 | 0 | 0         | 1 | 1 |   |   |           |   |           |   |   |   |   |   |   |           |   |           |   |   |   |   |           |   |   |   |   |   |           |   |   |   |   |   |   |   |   |   |   |           |   |   |   |   |   |   |   |   |   |   |   |   |
| Bit No. 3 |  | 0   | 0               | 0   | 0 | 1 | 1 | 1 | 1         | 0 | 0 |   |   |           |   |           |   |   |   |   |   |   |           |   |           |   |   |   |   |           |   |   |   |   |   |           |   |   |   |   |   |   |   |   |   |   |           |   |   |   |   |   |   |   |   |   |   |   |   |
| Bit No. 2 |  | 0   | 0               | 1   | 1 | 0 | 0 | 1 | 1         | 0 | 0 |   |   |           |   |           |   |   |   |   |   |   |           |   |           |   |   |   |   |           |   |   |   |   |   |           |   |   |   |   |   |   |   |   |   |   |           |   |   |   |   |   |   |   |   |   |   |   |   |
| Bit No. 1 | 0  | 1   | 0               | 1   | 0 | 1 | 0 | 1 | 0         | 1 |   |   |   |           |   |           |   |   |   |   |   |   |           |   |           |   |   |   |   |           |   |   |   |   |   |           |   |   |   |   |   |   |   |   |   |   |           |   |   |   |   |   |   |   |   |   |   |   |   |
| 3         | <table border="1"> <tr><td>Value</td><td colspan="6">Reserved</td></tr> <tr><td>Bit No. 4</td><td>1</td><td>1</td><td>1</td><td>1</td><td>1</td><td>1</td></tr> <tr><td>Bit No. 3</td><td>0</td><td>0</td><td>1</td><td>1</td><td>1</td><td>1</td></tr> <tr><td>Bit No. 2</td><td>1</td><td>1</td><td>0</td><td>0</td><td>1</td><td>1</td></tr> <tr><td>Bit No. 1</td><td>0</td><td>1</td><td>0</td><td>1</td><td>0</td><td>1</td></tr> </table> | Value   | Reserved        |     |   |   |   |   | Bit No. 4 | 1 | 1 | 1 | 1 | 1         | 1 | Bit No. 3 | 0 | 0 | 1 | 1 | 1 | 1 | Bit No. 2 | 1 | 1         | 0 | 0 | 1 | 1 | Bit No. 1 | 0 | 1 | 0 | 1 | 0 | 1         | 0 |   |   |   |   |   |   |   |   |   |           |   |   |   |   |   |   |   |   |   |   |   |   |
| Value     | Reserved   |   |                 |     |   |   |   |   |           |   |   |   |   |           |   |           |   |   |   |   |   |   |           |   |           |   |   |   |   |           |   |   |   |   |   |           |   |   |   |   |   |   |   |   |   |   |           |   |   |   |   |   |   |   |   |   |   |   |   |
| Bit No. 4 | 1  | 1   | 1               | 1   | 1 | 1 |   |   |           |   |   |   |   |           |   |           |   |   |   |   |   |   |           |   |           |   |   |   |   |           |   |   |   |   |   |           |   |   |   |   |   |   |   |   |   |   |           |   |   |   |   |   |   |   |   |   |   |   |   |
| Bit No. 3 | 0  | 0   | 1               | 1   | 1 | 1 |   |   |           |   |   |   |   |           |   |           |   |   |   |   |   |   |           |   |           |   |   |   |   |           |   |   |   |   |   |           |   |   |   |   |   |   |   |   |   |   |           |   |   |   |   |   |   |   |   |   |   |   |   |
| Bit No. 2 | 1  | 1   | 0               | 0   | 1 | 1 |   |   |           |   |   |   |   |           |   |           |   |   |   |   |   |   |           |   |           |   |   |   |   |           |   |   |   |   |   |           |   |   |   |   |   |   |   |   |   |   |           |   |   |   |   |   |   |   |   |   |   |   |   |
| Bit No. 1 | 0  | 1   | 0               | 1   | 0 | 1 |   |   |           |   |   |   |   |           |   |           |   |   |   |   |   |   |           |   |           |   |   |   |   |           |   |   |   |   |   |           |   |   |   |   |   |   |   |   |   |   |           |   |   |   |   |   |   |   |   |   |   |   |   |
| 2         | <table border="1"> <tr><td>Value</td><td colspan="6">Reserved</td></tr> <tr><td>Bit No. 4</td><td>1</td><td>1</td><td>1</td><td>1</td><td>1</td><td>1</td></tr> <tr><td>Bit No. 3</td><td>0</td><td>0</td><td>1</td><td>1</td><td>1</td><td>1</td></tr> <tr><td>Bit No. 2</td><td>1</td><td>1</td><td>0</td><td>0</td><td>1</td><td>1</td></tr> <tr><td>Bit No. 1</td><td>0</td><td>1</td><td>0</td><td>1</td><td>0</td><td>1</td></tr> </table> | Value   | Reserved        |     |   |   |   |   | Bit No. 4 | 1 | 1 | 1 | 1 | 1         | 1 | Bit No. 3 | 0 | 0 | 1 | 1 | 1 | 1 | Bit No. 2 | 1 | 1         | 0 | 0 | 1 | 1 | Bit No. 1 | 0 | 1 | 0 | 1 | 0 | 1         | 0 |   |   |   |   |   |   |   |   |   |           |   |   |   |   |   |   |   |   |   |   |   |   |
| Value     | Reserved   |   |                 |     |   |   |   |   |           |   |   |   |   |           |   |           |   |   |   |   |   |   |           |   |           |   |   |   |   |           |   |   |   |   |   |           |   |   |   |   |   |   |   |   |   |   |           |   |   |   |   |   |   |   |   |   |   |   |   |
| Bit No. 4 | 1  | 1   | 1               | 1   | 1 | 1 |   |   |           |   |   |   |   |           |   |           |   |   |   |   |   |   |           |   |           |   |   |   |   |           |   |   |   |   |   |           |   |   |   |   |   |   |   |   |   |   |           |   |   |   |   |   |   |   |   |   |   |   |   |
| Bit No. 3 | 0  | 0   | 1               | 1   | 1 | 1 |   |   |           |   |   |   |   |           |   |           |   |   |   |   |   |   |           |   |           |   |   |   |   |           |   |   |   |   |   |           |   |   |   |   |   |   |   |   |   |   |           |   |   |   |   |   |   |   |   |   |   |   |   |
| Bit No. 2 | 1  | 1   | 0               | 0   | 1 | 1 |   |   |           |   |   |   |   |           |   |           |   |   |   |   |   |   |           |   |           |   |   |   |   |           |   |   |   |   |   |           |   |   |   |   |   |   |   |   |   |   |           |   |   |   |   |   |   |   |   |   |   |   |   |
| Bit No. 1 | 0  | 1   | 0               | 1   | 0 | 1 |   |   |           |   |   |   |   |           |   |           |   |   |   |   |   |   |           |   |           |   |   |   |   |           |   |   |   |   |   |           |   |   |   |   |   |   |   |   |   |   |           |   |   |   |   |   |   |   |   |   |   |   |   |
| 1         | <table border="1"> <tr><td>Value</td><td colspan="6">Reserved</td></tr> <tr><td>Bit No. 4</td><td>1</td><td>1</td><td>1</td><td>1</td><td>1</td><td>1</td></tr> <tr><td>Bit No. 3</td><td>0</td><td>0</td><td>1</td><td>1</td><td>1</td><td>1</td></tr> <tr><td>Bit No. 2</td><td>1</td><td>1</td><td>0</td><td>0</td><td>1</td><td>1</td></tr> <tr><td>Bit No. 1</td><td>0</td><td>1</td><td>0</td><td>1</td><td>0</td><td>1</td></tr> </table> | Value   | Reserved        |     |   |   |   |   | Bit No. 4 | 1 | 1 | 1 | 1 | 1         | 1 | Bit No. 3 | 0 | 0 | 1 | 1 | 1 | 1 | Bit No. 2 | 1 | 1         | 0 | 0 | 1 | 1 | Bit No. 1 | 0 | 1 | 0 | 1 | 0 | 1         | 0 |   |   |   |   |   |   |   |   |   |           |   |   |   |   |   |   |   |   |   |   |   |   |
| Value     | Reserved   |   |                 |     |   |   |   |   |           |   |   |   |   |           |   |           |   |   |   |   |   |   |           |   |           |   |   |   |   |           |   |   |   |   |   |           |   |   |   |   |   |   |   |   |   |   |           |   |   |   |   |   |   |   |   |   |   |   |   |
| Bit No. 4 | 1  | 1   | 1               | 1   | 1 | 1 |   |   |           |   |   |   |   |           |   |           |   |   |   |   |   |   |           |   |           |   |   |   |   |           |   |   |   |   |   |           |   |   |   |   |   |   |   |   |   |   |           |   |   |   |   |   |   |   |   |   |   |   |   |
| Bit No. 3 | 0  | 0   | 1               | 1   | 1 | 1 |   |   |           |   |   |   |   |           |   |           |   |   |   |   |   |   |           |   |           |   |   |   |   |           |   |   |   |   |   |           |   |   |   |   |   |   |   |   |   |   |           |   |   |   |   |   |   |   |   |   |   |   |   |
| Bit No. 2 | 1  | 1   | 0               | 0   | 1 | 1 |   |   |           |   |   |   |   |           |   |           |   |   |   |   |   |   |           |   |           |   |   |   |   |           |   |   |   |   |   |           |   |   |   |   |   |   |   |   |   |   |           |   |   |   |   |   |   |   |   |   |   |   |   |
| Bit No. 1 | 0  | 1   | 0               | 1   | 0 | 1 |   |   |           |   |   |   |   |           |   |           |   |   |   |   |   |   |           |   |           |   |   |   |   |           |   |   |   |   |   |           |   |   |   |   |   |   |   |   |   |   |           |   |   |   |   |   |   |   |   |   |   |   |   |

**14.3.48 SOFT SWITCH: #46**

| Bit No. | Designation   | Function   | Initial setting |     |
|---------|---|--|-----------------|-----|
|         |   |  | Bit             | HEX |
| 8       | Reserved  | Reserved   | 0               | 0   |
| 7       | Daylight savings timer (Manual)                         | 0: No<br>1: Yes  | 0               |     |
| 6       | Reserved  | Reserved   | 0               |     |
| 5       |   |  | 0               |     |
| 4       | RX print mode   | 0: RX one page then print one page. (PRINT RX)<br>1: Start to print after receiving all pages. (MEMORY RX) | 1               | A   |
| 3       | Default TX mode   | 0: Memory TX<br>1: ADF TX  | 0               |     |
| 2       | Header for FAX TX                                       | 0: Off<br>1: On - Transmit header at top of each page  | 1               |     |
| 1       | Print model name on top of TX page If name not register | 0: No  | 0               |     |
|         |   | 1: Yes   |                 |     |

- Bit 2: Some country such as U.S.A PTT regulation, must be send header at top of each page.
- Bit 1: If machine name not registered, the model name will print at the top of each receiving page. The default is not to print. (base on custom ID)

**14.3.49 SOFT SWITCH: #47**

| Bit No. | Designation | Function  | Initial setting |     |
|---------|-------------|---|-----------------|-----|
|         |             |   | Bit             | HEX |
| 8       | Reserved    | Reserved  | 0               | 0   |
| 7       |             |   | 0               |     |
| 6       | RX mode     | 0: Auto RX mode   | 0               |     |
|         |             | 1: Manual RX mode   |                 |     |
| 5       | Footer      | 0: Off  | 0               |     |
|         |             | 1: On - Print footer information at each of received page |                 |     |
| 4       | Reserved    | Reserved  | 0               |     |
| 3       |             |   | 0               |     |
| 2       |             |   | 0               |     |
| 1       |             |   | 0               |     |

- Bit 5: The footer shows machine number, receiving time, remote side TSI number, session and page number. The details show on the report specification.

**14.3.50 SOFT SWITCH: #48**

| Bit No.     | Designation      | Function   | Initial setting |     |            |            |          |           |           |   |   |   |           |           |   |   |   |   |   |
|-------------|------------------|--|-----------------|-----|------------|------------|----------|-----------|-----------|---|---|---|-----------|-----------|---|---|---|---|---|
|             |                  |  | Bit             | HEX |            |            |          |           |           |   |   |   |           |           |   |   |   |   |   |
| 8           | Activity report  | 0: No<br>1: Yes  | 1               | A   |            |            |          |           |           |   |   |   |           |           |   |   |   |   |   |
| 7           | TX result report | <table border="1"> <thead> <tr> <th>Description</th> <th>ON</th> <th>ON (Error)</th> <th>OFF</th> <th>Reserved</th> </tr> </thead> <tbody> <tr> <td>Bit No. 7</td> <td>0</td> <td>0</td> <td>1</td> <td>1</td> </tr> <tr> <td>Bit No. 6</td> <td>0</td> <td>1</td> <td>0</td> <td>1</td> </tr> </tbody> </table> | Description     |     | ON         | ON (Error) | OFF      | Reserved  | Bit No. 7 | 0 | 0 | 1 | 1         | Bit No. 6 | 0 | 1 | 0 | 1 | 0 |
| Description |                  | ON   | ON (Error)      |     | OFF        | Reserved   |          |           |           |   |   |   |           |           |   |   |   |   |   |
| Bit No. 7   | 0                | 0  | 1               |     | 1          |            |          |           |           |   |   |   |           |           |   |   |   |   |   |
| Bit No. 6   | 0                | 1  | 0               | 1   |            |            |          |           |           |   |   |   |           |           |   |   |   |   |   |
| 6           |                  |  | 1               |     |            |            |          |           |           |   |   |   |           |           |   |   |   |   |   |
| 5           | RX result report | <table border="1"> <thead> <tr> <th>Description</th> <th>ON</th> <th>ON (Error)</th> <th>OFF</th> <th>Reserved</th> </tr> </thead> <tbody> <tr> <td>Bit No. 5</td> <td>0</td> <td>0</td> <td>1</td> <td>1</td> </tr> <tr> <td>Bit No. 4</td> <td>0</td> <td>1</td> <td>0</td> <td>1</td> </tr> </tbody> </table> | Description     | ON  | ON (Error) | OFF        | Reserved | Bit No. 5 | 0         | 0 | 1 | 1 | Bit No. 4 | 0         | 1 | 0 | 1 | 0 |   |
| Description |                  | ON   | ON (Error)      | OFF | Reserved   |            |          |           |           |   |   |   |           |           |   |   |   |   |   |
| Bit No. 5   | 0                | 0  | 1               | 1   |            |            |          |           |           |   |   |   |           |           |   |   |   |   |   |
| Bit No. 4   | 0                | 1  | 0               | 1   |            |            |          |           |           |   |   |   |           |           |   |   |   |   |   |
| 4           |                  |  | 1               |     |            |            |          |           |           |   |   |   |           |           |   |   |   |   |   |
| 3           | Reserved         | Reserved   | 0               | 8   |            |            |          |           |           |   |   |   |           |           |   |   |   |   |   |
| 2           |                  |  | 0               |     |            |            |          |           |           |   |   |   |           |           |   |   |   |   |   |
| 1           |                  |  | 0               |     |            |            |          |           |           |   |   |   |           |           |   |   |   |   |   |

**14.3.51 SOFT SWITCH: #49**

| Bit No.      | Designation   | Function   | Initial setting |     |    |    |    |    |    |    |           |           |   |   |   |   |   |   |   |           |           |   |   |   |   |   |   |   |           |           |   |   |   |   |   |   |   |           |           |   |   |   |   |   |   |   |   |   |
|--------------|---|--|-----------------|-----|----|----|----|----|----|----|-----------|-----------|---|---|---|---|---|---|---|-----------|-----------|---|---|---|---|---|---|---|-----------|-----------|---|---|---|---|---|---|---|-----------|-----------|---|---|---|---|---|---|---|---|---|
|              |   |  | Bit             | HEX |    |    |    |    |    |    |           |           |   |   |   |   |   |   |   |           |           |   |   |   |   |   |   |   |           |           |   |   |   |   |   |   |   |           |           |   |   |   |   |   |   |   |   |   |
| 8            | Reserved  | Reserved   | 0               | 0   |    |    |    |    |    |    |           |           |   |   |   |   |   |   |   |           |           |   |   |   |   |   |   |   |           |           |   |   |   |   |   |   |   |           |           |   |   |   |   |   |   |   |   |   |
| 7            |   |  | 0               |     |    |    |    |    |    |    |           |           |   |   |   |   |   |   |   |           |           |   |   |   |   |   |   |   |           |           |   |   |   |   |   |   |   |           |           |   |   |   |   |   |   |   |   |   |
| 6            |   |  | 0               |     |    |    |    |    |    |    |           |           |   |   |   |   |   |   |   |           |           |   |   |   |   |   |   |   |           |           |   |   |   |   |   |   |   |           |           |   |   |   |   |   |   |   |   |   |
| 5            | Re-dial method if Comm. Fail  | <b>0: Re-dial again</b><br>1: Base on re-dial time interval  | 0               |     |    |    |    |    |    |    |           |           |   |   |   |   |   |   |   |           |           |   |   |   |   |   |   |   |           |           |   |   |   |   |   |   |   |           |           |   |   |   |   |   |   |   |   |   |
| 4            | No. of rings  | <table border="1"> <thead> <tr> <th>No. of rings</th> <th>1</th> <th>2</th> <th>3</th> <th>4</th> <th>5</th> <th>6</th> <th>7</th> <th>8</th> </tr> </thead> <tbody> <tr> <td>Bit No. 4</td> <td>0</td> <td>0</td> <td>0</td> <td>0</td> <td>0</td> <td>0</td> <td>0</td> <td>0</td> </tr> <tr> <td>Bit No. 3</td> <td>0</td> <td>0</td> <td>0</td> <td>0</td> <td>1</td> <td>1</td> <td>1</td> <td>1</td> </tr> <tr> <td>Bit No. 2</td> <td>0</td> <td>0</td> <td>1</td> <td>1</td> <td>0</td> <td>0</td> <td>1</td> <td>1</td> </tr> <tr> <td>Bit No. 1</td> <td>0</td> <td>1</td> <td>0</td> <td>1</td> <td>0</td> <td>1</td> <td>0</td> <td>1</td> </tr> </tbody> </table> | No. of rings    | 1   | 2  | 3  | 4  | 5  | 6  | 7  | 8         | Bit No. 4 | 0 | 0 | 0 | 0 | 0 | 0 | 0 | 0         | Bit No. 3 | 0 | 0 | 0 | 0 | 1 | 1 | 1 | 1         | Bit No. 2 | 0 | 0 | 1 | 1 | 0 | 0 | 1 | 1         | Bit No. 1 | 0 | 1 | 0 | 1 | 0 | 1 | 0 | 1 | 0 |
| No. of rings |   | 1  | 2               | 3   | 4  | 5  | 6  | 7  | 8  |    |           |           |   |   |   |   |   |   |   |           |           |   |   |   |   |   |   |   |           |           |   |   |   |   |   |   |   |           |           |   |   |   |   |   |   |   |   |   |
| Bit No. 4    |   | 0  | 0               | 0   | 0  | 0  | 0  | 0  | 0  |    |           |           |   |   |   |   |   |   |   |           |           |   |   |   |   |   |   |   |           |           |   |   |   |   |   |   |   |           |           |   |   |   |   |   |   |   |   |   |
| Bit No. 3    |   | 0  | 0               | 0   | 0  | 1  | 1  | 1  | 1  |    |           |           |   |   |   |   |   |   |   |           |           |   |   |   |   |   |   |   |           |           |   |   |   |   |   |   |   |           |           |   |   |   |   |   |   |   |   |   |
| Bit No. 2    |   | 0  | 0               | 1   | 1  | 0  | 0  | 1  | 1  |    |           |           |   |   |   |   |   |   |   |           |           |   |   |   |   |   |   |   |           |           |   |   |   |   |   |   |   |           |           |   |   |   |   |   |   |   |   |   |
| Bit No. 1    |   | 0  | 1               | 0   | 1  | 0  | 1  | 0  | 1  |    |           |           |   |   |   |   |   |   |   |           |           |   |   |   |   |   |   |   |           |           |   |   |   |   |   |   |   |           |           |   |   |   |   |   |   |   |   |   |
| 3            |   | <table border="1"> <tbody> <tr> <td>Bit No. 3</td> <td>0</td> <td>0</td> <td>0</td> <td>0</td> <td>1</td> <td>1</td> <td>1</td> <td>1</td> </tr> <tr> <td>Bit No. 2</td> <td>0</td> <td>0</td> <td>1</td> <td>1</td> <td>0</td> <td>0</td> <td>1</td> <td>1</td> </tr> <tr> <td>Bit No. 1</td> <td>0</td> <td>1</td> <td>0</td> <td>1</td> <td>0</td> <td>1</td> <td>0</td> <td>1</td> </tr> </tbody> </table>   | Bit No. 3       | 0   | 0  | 0  | 0  | 1  | 1  | 1  | 1         | Bit No. 2 | 0 | 0 | 1 | 1 | 0 | 0 | 1 | 1         | Bit No. 1 | 0 | 1 | 0 | 1 | 0 | 1 | 0 | 1         | 0         |   |   |   |   |   |   |   |           |           |   |   |   |   |   |   |   |   |   |
| Bit No. 3    |   | 0  | 0               | 0   | 0  | 1  | 1  | 1  | 1  |    |           |           |   |   |   |   |   |   |   |           |           |   |   |   |   |   |   |   |           |           |   |   |   |   |   |   |   |           |           |   |   |   |   |   |   |   |   |   |
| Bit No. 2    | 0   | 0  | 1               | 1   | 0  | 0  | 1  | 1  |    |    |           |           |   |   |   |   |   |   |   |           |           |   |   |   |   |   |   |   |           |           |   |   |   |   |   |   |   |           |           |   |   |   |   |   |   |   |   |   |
| Bit No. 1    | 0   | 1  | 0               | 1   | 0  | 1  | 0  | 1  |    |    |           |           |   |   |   |   |   |   |   |           |           |   |   |   |   |   |   |   |           |           |   |   |   |   |   |   |   |           |           |   |   |   |   |   |   |   |   |   |
| 2            | <table border="1"> <thead> <tr> <th>No. of rings</th> <th>9</th> <th>10</th> <th>11</th> <th>12</th> <th>13</th> <th>14</th> <th>15</th> <th>16</th> </tr> </thead> <tbody> <tr> <td>Bit No. 4</td> <td>1</td> <td>1</td> <td>1</td> <td>1</td> <td>1</td> <td>1</td> <td>1</td> <td>1</td> </tr> <tr> <td>Bit No. 3</td> <td>0</td> <td>0</td> <td>0</td> <td>0</td> <td>1</td> <td>1</td> <td>1</td> <td>1</td> </tr> <tr> <td>Bit No. 2</td> <td>0</td> <td>0</td> <td>1</td> <td>1</td> <td>0</td> <td>0</td> <td>1</td> <td>1</td> </tr> <tr> <td>Bit No. 1</td> <td>0</td> <td>1</td> <td>0</td> <td>1</td> <td>0</td> <td>1</td> <td>0</td> <td>1</td> </tr> </tbody> </table> | No. of rings   | 9               | 10  | 11 | 12 | 13 | 14 | 15 | 16 | Bit No. 4 | 1         | 1 | 1 | 1 | 1 | 1 | 1 | 1 | Bit No. 3 | 0         | 0 | 0 | 0 | 1 | 1 | 1 | 1 | Bit No. 2 | 0         | 0 | 1 | 1 | 0 | 0 | 1 | 1 | Bit No. 1 | 0         | 1 | 0 | 1 | 0 | 1 | 0 | 1 | 0 |   |
| No. of rings | 9   | 10   | 11              | 12  | 13 | 14 | 15 | 16 |    |    |           |           |   |   |   |   |   |   |   |           |           |   |   |   |   |   |   |   |           |           |   |   |   |   |   |   |   |           |           |   |   |   |   |   |   |   |   |   |
| Bit No. 4    | 1   | 1  | 1               | 1   | 1  | 1  | 1  | 1  |    |    |           |           |   |   |   |   |   |   |   |           |           |   |   |   |   |   |   |   |           |           |   |   |   |   |   |   |   |           |           |   |   |   |   |   |   |   |   |   |
| Bit No. 3    | 0   | 0  | 0               | 0   | 1  | 1  | 1  | 1  |    |    |           |           |   |   |   |   |   |   |   |           |           |   |   |   |   |   |   |   |           |           |   |   |   |   |   |   |   |           |           |   |   |   |   |   |   |   |   |   |
| Bit No. 2    | 0   | 0  | 1               | 1   | 0  | 0  | 1  | 1  |    |    |           |           |   |   |   |   |   |   |   |           |           |   |   |   |   |   |   |   |           |           |   |   |   |   |   |   |   |           |           |   |   |   |   |   |   |   |   |   |
| Bit No. 1    | 0   | 1  | 0               | 1   | 0  | 1  | 0  | 1  |    |    |           |           |   |   |   |   |   |   |   |           |           |   |   |   |   |   |   |   |           |           |   |   |   |   |   |   |   |           |           |   |   |   |   |   |   |   |   |   |
| 1            | <table border="1"> <tbody> <tr> <td>Bit No. 3</td> <td>0</td> <td>0</td> <td>0</td> <td>0</td> <td>1</td> <td>1</td> <td>1</td> <td>1</td> </tr> <tr> <td>Bit No. 2</td> <td>0</td> <td>0</td> <td>1</td> <td>1</td> <td>0</td> <td>0</td> <td>1</td> <td>1</td> </tr> <tr> <td>Bit No. 1</td> <td>0</td> <td>1</td> <td>0</td> <td>1</td> <td>0</td> <td>1</td> <td>0</td> <td>1</td> </tr> </tbody> </table>  | Bit No. 3  | 0               | 0   | 0  | 0  | 1  | 1  | 1  | 1  | Bit No. 2 | 0         | 0 | 1 | 1 | 0 | 0 | 1 | 1 | Bit No. 1 | 0         | 1 | 0 | 1 | 0 | 1 | 0 | 1 | 1         |           |   |   |   |   |   |   |   |           |           |   |   |   |   |   |   |   |   |   |
| Bit No. 3    | 0   | 0  | 0               | 0   | 1  | 1  | 1  | 1  |    |    |           |           |   |   |   |   |   |   |   |           |           |   |   |   |   |   |   |   |           |           |   |   |   |   |   |   |   |           |           |   |   |   |   |   |   |   |   |   |
| Bit No. 2    | 0   | 0  | 1               | 1   | 0  | 0  | 1  | 1  |    |    |           |           |   |   |   |   |   |   |   |           |           |   |   |   |   |   |   |   |           |           |   |   |   |   |   |   |   |           |           |   |   |   |   |   |   |   |   |   |
| Bit No. 1    | 0   | 1  | 0               | 1   | 0  | 1  | 0  | 1  |    |    |           |           |   |   |   |   |   |   |   |           |           |   |   |   |   |   |   |   |           |           |   |   |   |   |   |   |   |           |           |   |   |   |   |   |   |   |   |   |

**14.3.52 SOFT SWITCH: #50**

| Bit No.   | Designation   | Function  | Initial setting |        |        |        |        |           |           |           |   |   |   |           |           |           |   |   |   |   |           |           |   |   |   |   |   |   |
|-----------|---|---|-----------------|--------|--------|--------|--------|-----------|-----------|-----------|---|---|---|-----------|-----------|-----------|---|---|---|---|-----------|-----------|---|---|---|---|---|---|
|           |   |   | Bit             | HEX    |        |        |        |           |           |           |   |   |   |           |           |           |   |   |   |   |           |           |   |   |   |   |   |   |
| 8         | Transmit or cancel after time out in "Memory TX"  | <b>0: Cancel and print out report</b><br>1: Transmission  | 0               | 0      |        |        |        |           |           |           |   |   |   |           |           |           |   |   |   |   |           |           |   |   |   |   |   |   |
| 7         | Reserved  | Reserved  | 0               |        |        |        |        |           |           |           |   |   |   |           |           |           |   |   |   |   |           |           |   |   |   |   |   |   |
| 6         | Min. ring on time   | <table border="1"> <thead> <tr> <th>Timer</th> <th>100 ms</th> <th>150 ms</th> <th>200 ms</th> <th>300 ms</th> <th>1 s</th> </tr> </thead> <tbody> <tr> <td>Bit No. 6</td> <td>0</td> <td>0</td> <td>0</td> <td>0</td> <td>1</td> </tr> <tr> <td>Bit No. 5</td> <td>0</td> <td>0</td> <td>1</td> <td>1</td> <td>0</td> </tr> <tr> <td>Bit No. 4</td> <td>0</td> <td>1</td> <td>0</td> <td>1</td> <td>0</td> </tr> </tbody> </table> | Timer           |        | 100 ms | 150 ms | 200 ms | 300 ms    | 1 s       | Bit No. 6 | 0 | 0 | 0 | 0         | 1         | Bit No. 5 | 0 | 0 | 1 | 1 | 0         | Bit No. 4 | 0 | 1 | 0 | 1 | 0 | 0 |
| Timer     |   | 100 ms  | 150 ms          |        | 200 ms | 300 ms | 1 s    |           |           |           |   |   |   |           |           |           |   |   |   |   |           |           |   |   |   |   |   |   |
| Bit No. 6 |   | 0   | 0               | 0      | 0      | 1      |        |           |           |           |   |   |   |           |           |           |   |   |   |   |           |           |   |   |   |   |   |   |
| Bit No. 5 |   | 0   | 0               | 1      | 1      | 0      |        |           |           |           |   |   |   |           |           |           |   |   |   |   |           |           |   |   |   |   |   |   |
| Bit No. 4 | 0   | 1   | 0               | 1      | 0      |        |        |           |           |           |   |   |   |           |           |           |   |   |   |   |           |           |   |   |   |   |   |   |
| 5         | <table border="1"> <tbody> <tr> <td>Bit No. 5</td> <td>0</td> <td>0</td> <td>1</td> <td>1</td> <td>0</td> </tr> <tr> <td>Bit No. 4</td> <td>0</td> <td>1</td> <td>0</td> <td>1</td> <td>0</td> </tr> </tbody> </table>  | Bit No. 5   | 0               | 0      | 1      | 1      | 0      | Bit No. 4 | 0         | 1         | 0 | 1 | 0 | 1         |           |           |   |   |   |   |           |           |   |   |   |   |   |   |
| Bit No. 5 | 0   | 0   | 1               | 1      | 0      |        |        |           |           |           |   |   |   |           |           |           |   |   |   |   |           |           |   |   |   |   |   |   |
| Bit No. 4 | 0   | 1   | 0               | 1      | 0      |        |        |           |           |           |   |   |   |           |           |           |   |   |   |   |           |           |   |   |   |   |   |   |
| 4         | Min. ring off time  | <table border="1"> <thead> <tr> <th>Timer</th> <th>100 ms</th> <th>200 ms</th> <th>500 ms</th> <th>1 s</th> <th>1.5 s</th> </tr> </thead> <tbody> <tr> <td>Bit No. 3</td> <td>0</td> <td>0</td> <td>0</td> <td>0</td> <td>1</td> </tr> <tr> <td>Bit No. 2</td> <td>0</td> <td>0</td> <td>1</td> <td>1</td> <td>0</td> </tr> <tr> <td>Bit No. 1</td> <td>0</td> <td>1</td> <td>0</td> <td>1</td> <td>0</td> </tr> </tbody> </table>  | Timer           | 100 ms | 200 ms | 500 ms | 1 s    | 1.5 s     | Bit No. 3 | 0         | 0 | 0 | 0 | 1         | Bit No. 2 | 0         | 0 | 1 | 1 | 0 | Bit No. 1 | 0         | 1 | 0 | 1 | 0 | 0 |   |
| Timer     |   | 100 ms  | 200 ms          | 500 ms | 1 s    | 1.5 s  |        |           |           |           |   |   |   |           |           |           |   |   |   |   |           |           |   |   |   |   |   |   |
| Bit No. 3 |   | 0   | 0               | 0      | 0      | 1      |        |           |           |           |   |   |   |           |           |           |   |   |   |   |           |           |   |   |   |   |   |   |
| Bit No. 2 |   | 0   | 0               | 1      | 1      | 0      |        |           |           |           |   |   |   |           |           |           |   |   |   |   |           |           |   |   |   |   |   |   |
| Bit No. 1 | 0   | 1   | 0               | 1      | 0      |        |        |           |           |           |   |   |   |           |           |           |   |   |   |   |           |           |   |   |   |   |   |   |
| 3         | <table border="1"> <tbody> <tr> <td>Bit No. 3</td> <td>0</td> <td>0</td> <td>0</td> <td>0</td> <td>1</td> </tr> <tr> <td>Bit No. 2</td> <td>0</td> <td>0</td> <td>1</td> <td>1</td> <td>0</td> </tr> <tr> <td>Bit No. 1</td> <td>0</td> <td>1</td> <td>0</td> <td>1</td> <td>0</td> </tr> </tbody> </table> | Bit No. 3   | 0               | 0      | 0      | 0      | 1      | Bit No. 2 | 0         | 0         | 1 | 1 | 0 | Bit No. 1 | 0         | 1         | 0 | 1 | 0 | 0 |           |           |   |   |   |   |   |   |
| Bit No. 3 | 0   | 0   | 0               | 0      | 1      |        |        |           |           |           |   |   |   |           |           |           |   |   |   |   |           |           |   |   |   |   |   |   |
| Bit No. 2 | 0   | 0   | 1               | 1      | 0      |        |        |           |           |           |   |   |   |           |           |           |   |   |   |   |           |           |   |   |   |   |   |   |
| Bit No. 1 | 0   | 1   | 0               | 1      | 0      |        |        |           |           |           |   |   |   |           |           |           |   |   |   |   |           |           |   |   |   |   |   |   |
| 2         | <table border="1"> <tbody> <tr> <td>Bit No. 2</td> <td>0</td> <td>0</td> <td>1</td> <td>1</td> <td>0</td> </tr> <tr> <td>Bit No. 1</td> <td>0</td> <td>1</td> <td>0</td> <td>1</td> <td>0</td> </tr> </tbody> </table>  | Bit No. 2   | 0               | 0      | 1      | 1      | 0      | Bit No. 1 | 0         | 1         | 0 | 1 | 0 | 0         |           |           |   |   |   |   |           |           |   |   |   |   |   |   |
| Bit No. 2 | 0   | 0   | 1               | 1      | 0      |        |        |           |           |           |   |   |   |           |           |           |   |   |   |   |           |           |   |   |   |   |   |   |
| Bit No. 1 | 0   | 1   | 0               | 1      | 0      |        |        |           |           |           |   |   |   |           |           |           |   |   |   |   |           |           |   |   |   |   |   |   |
| 1         | <table border="1"> <tbody> <tr> <td>Bit No. 1</td> <td>0</td> <td>1</td> <td>0</td> <td>1</td> <td>0</td> </tr> </tbody> </table>   | Bit No. 1   | 0               | 1      | 0      | 1      | 0      | 1         |           |           |   |   |   |           |           |           |   |   |   |   |           |           |   |   |   |   |   |   |
| Bit No. 1 | 0   | 1   | 0               | 1      | 0      |        |        |           |           |           |   |   |   |           |           |           |   |   |   |   |           |           |   |   |   |   |   |   |

- Bit 8: Can select cancel this job and print out report or start to send in case of time when memory full condition occurs.



**14.3.53 SOFT SWITCH: #51**

| Bit No.     | Designation                                   | Function   | Initial setting                   |                                    |              |                                   |                                    |               |           |   |   |   |   |           |   |   |   |   |   |
|-------------|---|--|-----------------------------------|------------------------------------|--------------|-----------------------------------|------------------------------------|---------------|-----------|---|---|---|---|-----------|---|---|---|---|---|
|             |   |  | Bit                               | HEX                                |              |                                   |                                    |               |           |   |   |   |   |           |   |   |   |   |   |
| 8           | Reserved                                      | Reserved   | 0                                 | 0                                  |              |                                   |                                    |               |           |   |   |   |   |           |   |   |   |   |   |
| 7           |   |  | 0                                 |                                    |              |                                   |                                    |               |           |   |   |   |   |           |   |   |   |   |   |
| 6           | Max pages of T30 monitor report               | <table border="1"> <tr> <td>Description</td> <td>1</td> <td>5</td> <td>10</td> <td>No limitation</td> </tr> <tr> <td>Bit No. 6</td> <td>0</td> <td>0</td> <td>1</td> <td>1</td> </tr> <tr> <td>Bit No. 5</td> <td>0</td> <td>1</td> <td>0</td> <td>1</td> </tr> </table>   | Description                       |                                    | 1            | 5                                 | 10                                 | No limitation | Bit No. 6 | 0 | 0 | 1 | 1 | Bit No. 5 | 0 | 1 | 0 | 1 | 0 |
| Description |   | 1  | 5                                 |                                    | 10           | No limitation                     |                                    |               |           |   |   |   |   |           |   |   |   |   |   |
| Bit No. 6   |   | 0  | 0                                 |                                    | 1            | 1                                 |                                    |               |           |   |   |   |   |           |   |   |   |   |   |
| Bit No. 5   | 0   | 1  | 0                                 |                                    | 1            |                                   |                                    |               |           |   |   |   |   |           |   |   |   |   |   |
| 5           | 0   |  |                                   |                                    |              |                                   |                                    |               |           |   |   |   |   |           |   |   |   |   |   |
| 4           | T30 monitor report selection                  | <table border="1"> <tr> <td>Description</td> <td>Not to print</td> <td>Print report for each transaction</td> <td>Print report while reporting error</td> <td>Not used</td> </tr> <tr> <td>Bit No. 4</td> <td>0</td> <td>0</td> <td>1</td> <td>1</td> </tr> <tr> <td>Bit No. 3</td> <td>0</td> <td>1</td> <td>0</td> <td>1</td> </tr> </table> | Description                       |                                    | Not to print | Print report for each transaction | Print report while reporting error | Not used      | Bit No. 4 | 0 | 0 | 1 | 1 | Bit No. 3 | 0 | 1 | 0 | 1 | 0 |
| Description |   | Not to print   | Print report for each transaction | Print report while reporting error | Not used     |                                   |                                    |               |           |   |   |   |   |           |   |   |   |   |   |
| Bit No. 4   |   | 0  | 0                                 | 1                                  | 1            |                                   |                                    |               |           |   |   |   |   |           |   |   |   |   |   |
| Bit No. 3   | 0   | 1  | 0                                 | 1                                  |              |                                   |                                    |               |           |   |   |   |   |           |   |   |   |   |   |
| 3           | 0   |  |                                   |                                    |              |                                   |                                    |               |           |   |   |   |   |           |   |   |   |   |   |
| 2           | Send unsent page mode for memory transmission | 0: From error page<br>1: From start page   | 0                                 |                                    |              |                                   |                                    |               |           |   |   |   |   |           |   |   |   |   |   |
| 1           | Reserved                                      | Reserved   | 0                                 |                                    |              |                                   |                                    |               |           |   |   |   |   |           |   |   |   |   |   |

**14.3.54 SOFT SWITCH: #52**

| Bit No. | Designation | Function | Initial setting |     |
|---------|-------------|----------|-----------------|-----|
|         |             |          | Bit             | HEX |
| 8       | Reserved    | Reserved | 0               | 0   |
| 7       |             |          | 0               |     |
| 6       |             |          | 0               |     |
| 5       |             |          | 0               |     |
| 4       |             |          | 0               | 0   |
| 3       |             |          | 0               |     |
| 2       |             |          | 0               |     |
| 1       |             |          | 0               |     |

**14.3.55 SOFT SWITCH: #53**

| Bit No. | Designation | Function | Initial setting |     |
|---------|-------------|----------|-----------------|-----|
|         |             |          | Bit             | HEX |
| 8       | Reserved    | Reserved | 0               | 0   |
| 7       |             |          | 0               |     |
| 6       |             |          | 0               |     |
| 5       |             |          | 0               |     |
| 4       |             |          | 0               | 0   |
| 3       |             |          | 0               |     |
| 2       |             |          | 0               |     |
| 1       |             |          | 0               |     |

**14.3.56 SOFT SWITCH: #54**

| Bit No.          | Designation  | Function  | Initial setting  |      |               |               |               |           |   |   |           |           |           |   |   |   |   |   |
|------------------|--|---|------------------|------|---------------|---------------|---------------|-----------|---|---|-----------|-----------|-----------|---|---|---|---|---|
|                  |  |   | Bit              | HEX  |               |               |               |           |   |   |           |           |           |   |   |   |   |   |
| 8                | Report Date/Time type  | 0: Digits format<br>1: Alpha numeric format   | 1                | A    |               |               |               |           |   |   |           |           |           |   |   |   |   |   |
| 7                | Report Date/Time format  | When bit No.8 is "1".<br><table border="1"> <tr> <td>Date/Time</td> <td>2008. MAR. 25</td> <td>MAR. 25. 2008</td> <td>25. MAR. 2008</td> </tr> <tr> <td>Bit No. 7</td> <td>0</td> <td>0</td> <td>1</td> </tr> <tr> <td>Bit No. 6</td> <td>0</td> <td>1</td> <td>0</td> </tr> </table> | Date/Time        |      | 2008. MAR. 25 | MAR. 25. 2008 | 25. MAR. 2008 | Bit No. 7 | 0 | 0 | 1         | Bit No. 6 | 0         | 1 | 0 | 0 |   |   |
| Date/Time        |  | 2008. MAR. 25   | MAR. 25. 2008    |      | 25. MAR. 2008 |               |               |           |   |   |           |           |           |   |   |   |   |   |
| Bit No. 7        | 0  | 0   | 1                |      |               |               |               |           |   |   |           |           |           |   |   |   |   |   |
| Bit No. 6        | 0  | 1   | 0                |      |               |               |               |           |   |   |           |           |           |   |   |   |   |   |
| 6                | When bit No.8 is "0".<br><table border="1"> <tr> <td>Date/Time</td> <td>2008. 11. 25</td> <td>11. 25. 2008</td> <td>25. 11. 2008</td> </tr> <tr> <td>Bit No. 7</td> <td>0</td> <td>0</td> <td>1</td> </tr> <tr> <td>Bit No. 6</td> <td>0</td> <td>1</td> <td>0</td> </tr> </table> | Date/Time   | 2008. 11. 25     |      | 11. 25. 2008  | 25. 11. 2008  | Bit No. 7     | 0         | 0 | 1 | Bit No. 6 | 0         | 1         | 0 | 1 |   |   |   |
| Date/Time        | 2008. 11. 25   | 11. 25. 2008  | 25. 11. 2008     |      |               |               |               |           |   |   |           |           |           |   |   |   |   |   |
| Bit No. 7        | 0  | 0   | 1                |      |               |               |               |           |   |   |           |           |           |   |   |   |   |   |
| Bit No. 6        | 0  | 1   | 0                |      |               |               |               |           |   |   |           |           |           |   |   |   |   |   |
| 5                | Memory near full capacity for Fax and I-Fax scanning   | <table border="1"> <tr> <td>Description (KB)</td> <td>256</td> <td>512</td> <td>1024</td> <td>1536</td> </tr> <tr> <td>Bit No. 5</td> <td>0</td> <td>0</td> <td>1</td> <td>1</td> </tr> <tr> <td>Bit No. 4</td> <td>0</td> <td>1</td> <td>0</td> <td>1</td> </tr> </table>            | Description (KB) | 256  | 512           | 1024          | 1536          | Bit No. 5 | 0 | 0 | 1         | 1         | Bit No. 4 | 0 | 1 | 0 | 1 | 0 |
| Description (KB) |  | 256   | 512              | 1024 | 1536          |               |               |           |   |   |           |           |           |   |   |   |   |   |
| Bit No. 5        | 0  | 0   | 1                | 1    |               |               |               |           |   |   |           |           |           |   |   |   |   |   |
| Bit No. 4        | 0  | 1   | 0                | 1    |               |               |               |           |   |   |           |           |           |   |   |   |   |   |
| 4                | <table border="1"> <tr> <td>Description (KB)</td> <td>512</td> <td>1024</td> <td>2512</td> <td>5024</td> </tr> <tr> <td>Bit No. 3</td> <td>0</td> <td>0</td> <td>1</td> <td>1</td> </tr> <tr> <td>Bit No. 2</td> <td>0</td> <td>1</td> <td>0</td> <td>1</td> </tr> </table>        | Description (KB)  | 512              | 1024 | 2512          | 5024          | Bit No. 3     | 0         | 0 | 1 | 1         | Bit No. 2 | 0         | 1 | 0 | 1 | 1 |   |
| Description (KB) | 512  | 1024  | 2512             | 5024 |               |               |               |           |   |   |           |           |           |   |   |   |   |   |
| Bit No. 3        | 0  | 0   | 1                | 1    |               |               |               |           |   |   |           |           |           |   |   |   |   |   |
| Bit No. 2        | 0  | 1   | 0                | 1    |               |               |               |           |   |   |           |           |           |   |   |   |   |   |
| 3                | Memory near full capacity for N-Scan scanning  | <table border="1"> <tr> <td>Description (KB)</td> <td>512</td> <td>1024</td> <td>2512</td> <td>5024</td> </tr> <tr> <td>Bit No. 3</td> <td>0</td> <td>0</td> <td>1</td> <td>1</td> </tr> <tr> <td>Bit No. 2</td> <td>0</td> <td>1</td> <td>0</td> <td>1</td> </tr> </table>           | Description (KB) | 512  | 1024          | 2512          | 5024          | Bit No. 3 | 0 | 0 | 1         | 1         | Bit No. 2 | 0 | 1 | 0 | 1 | 0 |
| Description (KB) |  | 512   | 1024             | 2512 | 5024          |               |               |           |   |   |           |           |           |   |   |   |   |   |
| Bit No. 3        | 0  | 0   | 1                | 1    |               |               |               |           |   |   |           |           |           |   |   |   |   |   |
| Bit No. 2        | 0  | 1   | 0                | 1    |               |               |               |           |   |   |           |           |           |   |   |   |   |   |
| 2                | <table border="1"> <tr> <td>Description (KB)</td> <td>512</td> <td>1024</td> <td>2512</td> <td>5024</td> </tr> <tr> <td>Bit No. 3</td> <td>0</td> <td>0</td> <td>1</td> <td>1</td> </tr> <tr> <td>Bit No. 2</td> <td>0</td> <td>1</td> <td>0</td> <td>1</td> </tr> </table>        | Description (KB)  | 512              | 1024 | 2512          | 5024          | Bit No. 3     | 0         | 0 | 1 | 1         | Bit No. 2 | 0         | 1 | 0 | 1 | 0 |   |
| Description (KB) | 512  | 1024  | 2512             | 5024 |               |               |               |           |   |   |           |           |           |   |   |   |   |   |
| Bit No. 3        | 0  | 0   | 1                | 1    |               |               |               |           |   |   |           |           |           |   |   |   |   |   |
| Bit No. 2        | 0  | 1   | 0                | 1    |               |               |               |           |   |   |           |           |           |   |   |   |   |   |
| 1                | Reserved   | Reserved  | 0                | 8    |               |               |               |           |   |   |           |           |           |   |   |   |   |   |

bizhub C25

ADJUSTMENT / SETTING

**14.3.57 SOFT SWITCH: #55**

| Bit No.   | Designation          | Function  | Initial setting |     |     |     |       |       |       |       |       |           |   |   |   |   |   |   |   |   |           |   |   |   |   |   |   |   |   |           |   |   |   |   |   |   |   |   |   |   |
|-----------|----------------------|---|-----------------|-----|-----|-----|-------|-------|-------|-------|-------|-----------|---|---|---|---|---|---|---|---|-----------|---|---|---|---|---|---|---|---|-----------|---|---|---|---|---|---|---|---|---|---|
|           |                      |   | Bit             | HEX |     |     |       |       |       |       |       |           |   |   |   |   |   |   |   |   |           |   |   |   |   |   |   |   |   |           |   |   |   |   |   |   |   |   |   |   |
| 8         | DC characteristics   | <table border="1"> <thead> <tr> <th>Value</th> <th>DC1</th> <th>DC2</th> <th>DC3</th> <th>DC4</th> <th>DC0_1</th> <th>DC0_2</th> <th>DC0_3</th> <th>DC0_4</th> </tr> </thead> <tbody> <tr> <td>Bit No. 8</td> <td>0</td> <td>0</td> <td>0</td> <td>0</td> <td>1</td> <td>1</td> <td>1</td> <td>1</td> </tr> <tr> <td>Bit No. 7</td> <td>0</td> <td>0</td> <td>1</td> <td>1</td> <td>0</td> <td>0</td> <td>1</td> <td>1</td> </tr> <tr> <td>Bit No. 6</td> <td>0</td> <td>1</td> <td>0</td> <td>1</td> <td>0</td> <td>1</td> <td>0</td> <td>1</td> </tr> </tbody> </table> | Value           | DC1 | DC2 | DC3 | DC4   | DC0_1 | DC0_2 | DC0_3 | DC0_4 | Bit No. 8 | 0 | 0 | 0 | 0 | 1 | 1 | 1 | 1 | Bit No. 7 | 0 | 0 | 1 | 1 | 0 | 0 | 1 | 1 | Bit No. 6 | 0 | 1 | 0 | 1 | 0 | 1 | 0 | 1 | 0 | 2 |
| Value     |                      |   | DC1             | DC2 | DC3 | DC4 | DC0_1 | DC0_2 | DC0_3 | DC0_4 |       |           |   |   |   |   |   |   |   |   |           |   |   |   |   |   |   |   |   |           |   |   |   |   |   |   |   |   |   |   |
| Bit No. 8 |                      |   | 0               | 0   | 0   | 0   | 1     | 1     | 1     | 1     |       |           |   |   |   |   |   |   |   |   |           |   |   |   |   |   |   |   |   |           |   |   |   |   |   |   |   |   |   |   |
| Bit No. 7 |                      |   | 0               | 0   | 1   | 1   | 0     | 0     | 1     | 1     |       |           |   |   |   |   |   |   |   |   |           |   |   |   |   |   |   |   |   |           |   |   |   |   |   |   |   |   |   |   |
| Bit No. 6 | 0                    | 1   | 0               | 1   | 0   | 1   | 0     | 1     |       |       |       |           |   |   |   |   |   |   |   |   |           |   |   |   |   |   |   |   |   |           |   |   |   |   |   |   |   |   |   |   |
| 7         | 0                    |   |                 |     |     |     |       |       |       |       |       |           |   |   |   |   |   |   |   |   |           |   |   |   |   |   |   |   |   |           |   |   |   |   |   |   |   |   |   |   |
| 6         | 1                    |   |                 |     |     |     |       |       |       |       |       |           |   |   |   |   |   |   |   |   |           |   |   |   |   |   |   |   |   |           |   |   |   |   |   |   |   |   |   |   |
| 5         | 0                    |   |                 |     |     |     |       |       |       |       |       |           |   |   |   |   |   |   |   |   |           |   |   |   |   |   |   |   |   |           |   |   |   |   |   |   |   |   |   |   |
| 4         | Reserved             | Reserved  | 0               | 1   |     |     |       |       |       |       |       |           |   |   |   |   |   |   |   |   |           |   |   |   |   |   |   |   |   |           |   |   |   |   |   |   |   |   |   |   |
| 3         |                      |   | 0               |     |     |     |       |       |       |       |       |           |   |   |   |   |   |   |   |   |           |   |   |   |   |   |   |   |   |           |   |   |   |   |   |   |   |   |   |   |
| 2         |                      |   | 0               |     |     |     |       |       |       |       |       |           |   |   |   |   |   |   |   |   |           |   |   |   |   |   |   |   |   |           |   |   |   |   |   |   |   |   |   |   |
| 1         | Fast dege pulse dial | 0: No<br>1: Yes   | 1               |     |     |     |       |       |       |       |       |           |   |   |   |   |   |   |   |   |           |   |   |   |   |   |   |   |   |           |   |   |   |   |   |   |   |   |   |   |

**14.3.58 SOFT SWITCH: #56**

| Bit No.    | Designation              | Function   | Initial setting |     |    |    |    |    |    |    |    |    |    |           |   |   |   |   |   |   |   |   |   |   |           |   |   |   |   |   |   |   |   |   |   |           |   |   |   |   |   |   |   |   |   |   |   |   |   |   |   |   |   |   |   |   |   |   |   |
|------------|--------------------------|--|-----------------|-----|----|----|----|----|----|----|----|----|----|-----------|---|---|---|---|---|---|---|---|---|---|-----------|---|---|---|---|---|---|---|---|---|---|-----------|---|---|---|---|---|---|---|---|---|---|---|---|---|---|---|---|---|---|---|---|---|---|---|
|            |                          |  | Bit             | HEX |    |    |    |    |    |    |    |    |    |           |   |   |   |   |   |   |   |   |   |   |           |   |   |   |   |   |   |   |   |   |   |           |   |   |   |   |   |   |   |   |   |   |   |   |   |   |   |   |   |   |   |   |   |   |   |
| 8          | Pulse dial setup (\$74C) | <table border="1"> <thead> <tr> <th>Value (ms)</th> <th>90</th> <th>10</th> <th>20</th> <th>30</th> <th>40</th> <th>50</th> <th>60</th> <th>70</th> <th>80</th> <th>90</th> </tr> </thead> <tbody> <tr> <td>Bit No. 8</td> <td>0</td> <td>0</td> <td>0</td> <td>0</td> <td>0</td> <td>0</td> <td>0</td> <td>0</td> <td>1</td> <td>1</td> </tr> <tr> <td>Bit No. 7</td> <td>0</td> <td>0</td> <td>0</td> <td>0</td> <td>1</td> <td>1</td> <td>1</td> <td>1</td> <td>0</td> <td>0</td> </tr> <tr> <td>Bit No. 6</td> <td>0</td> <td>0</td> <td>1</td> <td>1</td> <td>0</td> <td>0</td> <td>1</td> <td>1</td> <td>0</td> <td>0</td> </tr> <tr> <td>5</td> <td>0</td> <td>1</td> <td>0</td> <td>1</td> <td>0</td> <td>1</td> <td>0</td> <td>1</td> <td>0</td> <td>1</td> </tr> </tbody> </table> | Value (ms)      | 90  | 10 | 20 | 30 | 40 | 50 | 60 | 70 | 80 | 90 | Bit No. 8 | 0 | 0 | 0 | 0 | 0 | 0 | 0 | 0 | 1 | 1 | Bit No. 7 | 0 | 0 | 0 | 0 | 1 | 1 | 1 | 1 | 0 | 0 | Bit No. 6 | 0 | 0 | 1 | 1 | 0 | 0 | 1 | 1 | 0 | 0 | 5 | 0 | 1 | 0 | 1 | 0 | 1 | 0 | 1 | 0 | 1 | 0 | 0 |
| Value (ms) |                          |  | 90              | 10  | 20 | 30 | 40 | 50 | 60 | 70 | 80 | 90 |    |           |   |   |   |   |   |   |   |   |   |   |           |   |   |   |   |   |   |   |   |   |   |           |   |   |   |   |   |   |   |   |   |   |   |   |   |   |   |   |   |   |   |   |   |   |   |
| Bit No. 8  |                          |  | 0               | 0   | 0  | 0  | 0  | 0  | 0  | 0  | 1  | 1  |    |           |   |   |   |   |   |   |   |   |   |   |           |   |   |   |   |   |   |   |   |   |   |           |   |   |   |   |   |   |   |   |   |   |   |   |   |   |   |   |   |   |   |   |   |   |   |
| Bit No. 7  |                          |  | 0               | 0   | 0  | 0  | 1  | 1  | 1  | 1  | 0  | 0  |    |           |   |   |   |   |   |   |   |   |   |   |           |   |   |   |   |   |   |   |   |   |   |           |   |   |   |   |   |   |   |   |   |   |   |   |   |   |   |   |   |   |   |   |   |   |   |
| Bit No. 6  | 0                        | 0  | 1               | 1   | 0  | 0  | 1  | 1  | 0  | 0  |    |    |    |           |   |   |   |   |   |   |   |   |   |   |           |   |   |   |   |   |   |   |   |   |   |           |   |   |   |   |   |   |   |   |   |   |   |   |   |   |   |   |   |   |   |   |   |   |   |
| 5          | 0                        | 1  | 0               | 1   | 0  | 1  | 0  | 1  | 0  | 1  |    |    |    |           |   |   |   |   |   |   |   |   |   |   |           |   |   |   |   |   |   |   |   |   |   |           |   |   |   |   |   |   |   |   |   |   |   |   |   |   |   |   |   |   |   |   |   |   |   |
| 7          | 0                        |  |                 |     |    |    |    |    |    |    |    |    |    |           |   |   |   |   |   |   |   |   |   |   |           |   |   |   |   |   |   |   |   |   |   |           |   |   |   |   |   |   |   |   |   |   |   |   |   |   |   |   |   |   |   |   |   |   |   |
| 6          | 0                        |  |                 |     |    |    |    |    |    |    |    |    |    |           |   |   |   |   |   |   |   |   |   |   |           |   |   |   |   |   |   |   |   |   |   |           |   |   |   |   |   |   |   |   |   |   |   |   |   |   |   |   |   |   |   |   |   |   |   |
| 5          | 0                        |  |                 |     |    |    |    |    |    |    |    |    |    |           |   |   |   |   |   |   |   |   |   |   |           |   |   |   |   |   |   |   |   |   |   |           |   |   |   |   |   |   |   |   |   |   |   |   |   |   |   |   |   |   |   |   |   |   |   |
| 4          | Pulse clear (\$74D)      | <table border="1"> <thead> <tr> <th>Value (ms)</th> <th>0</th> <th>10</th> <th>20</th> <th>30</th> <th>40</th> <th>50</th> <th>60</th> <th>70</th> <th>80</th> <th>90</th> </tr> </thead> <tbody> <tr> <td>Bit No. 4</td> <td>0</td> <td>0</td> <td>0</td> <td>0</td> <td>0</td> <td>0</td> <td>0</td> <td>0</td> <td>1</td> <td>1</td> </tr> <tr> <td>Bit No. 3</td> <td>0</td> <td>0</td> <td>0</td> <td>0</td> <td>1</td> <td>1</td> <td>1</td> <td>1</td> <td>0</td> <td>0</td> </tr> <tr> <td>Bit No. 2</td> <td>0</td> <td>0</td> <td>1</td> <td>1</td> <td>0</td> <td>0</td> <td>1</td> <td>1</td> <td>0</td> <td>0</td> </tr> <tr> <td>1</td> <td>0</td> <td>1</td> <td>0</td> <td>1</td> <td>0</td> <td>1</td> <td>0</td> <td>1</td> <td>0</td> <td>1</td> </tr> </tbody> </table>  | Value (ms)      | 0   | 10 | 20 | 30 | 40 | 50 | 60 | 70 | 80 | 90 | Bit No. 4 | 0 | 0 | 0 | 0 | 0 | 0 | 0 | 0 | 1 | 1 | Bit No. 3 | 0 | 0 | 0 | 0 | 1 | 1 | 1 | 1 | 0 | 0 | Bit No. 2 | 0 | 0 | 1 | 1 | 0 | 0 | 1 | 1 | 0 | 0 | 1 | 0 | 1 | 0 | 1 | 0 | 1 | 0 | 1 | 0 | 1 | 1 | 9 |
| Value (ms) |                          |  | 0               | 10  | 20 | 30 | 40 | 50 | 60 | 70 | 80 | 90 |    |           |   |   |   |   |   |   |   |   |   |   |           |   |   |   |   |   |   |   |   |   |   |           |   |   |   |   |   |   |   |   |   |   |   |   |   |   |   |   |   |   |   |   |   |   |   |
| Bit No. 4  |                          |  | 0               | 0   | 0  | 0  | 0  | 0  | 0  | 0  | 1  | 1  |    |           |   |   |   |   |   |   |   |   |   |   |           |   |   |   |   |   |   |   |   |   |   |           |   |   |   |   |   |   |   |   |   |   |   |   |   |   |   |   |   |   |   |   |   |   |   |
| Bit No. 3  |                          |  | 0               | 0   | 0  | 0  | 1  | 1  | 1  | 1  | 0  | 0  |    |           |   |   |   |   |   |   |   |   |   |   |           |   |   |   |   |   |   |   |   |   |   |           |   |   |   |   |   |   |   |   |   |   |   |   |   |   |   |   |   |   |   |   |   |   |   |
| Bit No. 2  | 0                        | 0  | 1               | 1   | 0  | 0  | 1  | 1  | 0  | 0  |    |    |    |           |   |   |   |   |   |   |   |   |   |   |           |   |   |   |   |   |   |   |   |   |   |           |   |   |   |   |   |   |   |   |   |   |   |   |   |   |   |   |   |   |   |   |   |   |   |
| 1          | 0                        | 1  | 0               | 1   | 0  | 1  | 0  | 1  | 0  | 1  |    |    |    |           |   |   |   |   |   |   |   |   |   |   |           |   |   |   |   |   |   |   |   |   |   |           |   |   |   |   |   |   |   |   |   |   |   |   |   |   |   |   |   |   |   |   |   |   |   |
| 3          | 0                        |  |                 |     |    |    |    |    |    |    |    |    |    |           |   |   |   |   |   |   |   |   |   |   |           |   |   |   |   |   |   |   |   |   |   |           |   |   |   |   |   |   |   |   |   |   |   |   |   |   |   |   |   |   |   |   |   |   |   |
| 2          | 0                        |  |                 |     |    |    |    |    |    |    |    |    |    |           |   |   |   |   |   |   |   |   |   |   |           |   |   |   |   |   |   |   |   |   |   |           |   |   |   |   |   |   |   |   |   |   |   |   |   |   |   |   |   |   |   |   |   |   |   |
| 1          | 1                        |  |                 |     |    |    |    |    |    |    |    |    |    |           |   |   |   |   |   |   |   |   |   |   |           |   |   |   |   |   |   |   |   |   |   |           |   |   |   |   |   |   |   |   |   |   |   |   |   |   |   |   |   |   |   |   |   |   |   |

**14.3.59 SOFT SWITCH: #57**

| Bit No. | Designation                                    | Function                                    | Initial setting |     |
|---------|--|---|-----------------|-----|
|         |  |   | Bit             | HEX |
| 8       | Reserved                                       | Reserved                                    | 0               | 1   |
| 7       |  |   | 0               |     |
| 6       |  |   | 0               |     |
| 5       | Compensation for loading from bridge capacitor | 0: Loading<br>1: Not loading                | 1               |     |
| 4       | Reserved                                       | Reserved                                    | 0               | 0   |
| 3       | Resistance for pulse dialing                   | Value (ohm) 100 200 300 400 500 600 700 800 | 0               |     |
| 2       |  | Bit No. 3 0 0 0 0 1 1 1 1                   | 0               |     |
|         |  | Bit No. 2 0 0 1 1 0 0 1 1                   | 0               |     |
| 1       |  | Bit No. 1 0 1 0 1 0 1 0 1                   | 0               |     |

**14.3.60 SOFT SWITCH: #58**

| Bit No. | Designation                         | Function                | Initial setting |     |
|---------|-------------------------------------|-------------------------|-----------------|-----|
|         |                                     |                         | Bit             | HEX |
| 8       | Time out from PSK to FSK delay time | 0: 6 sec.<br>1: 30 sec. | 0               | 0   |
| 7       | Reserved                            | Reserved                | 0               |     |
| 6       |                                     |                         | 0               |     |
| 5       |                                     |                         | 0               |     |
| 4       |                                     |                         | 0               |     |
| 3       |                                     |                         | 0               |     |
| 2       |                                     |                         | 0               | 0   |
| 1       |                                     |                         | 0               |     |

- Bit 8: This is the delay time for PSK signal after sending MCF or PPR command. The timer depends on each country regulation.

14.3.61 SOFT SWITCH: #59 (Part 1)

| Bit No.   | Designation  | Function   | Initial setting         |                         |                         |        |        |        |        |        |           |           |   |   |   |           |           |   |   |   |           |           |   |   |   |           |           |   |   |   |           |           |   |   |   |           |           |   |   |   |   |   |   |
|-----------|--|--|-------------------------|-------------------------|-------------------------|--------|--------|--------|--------|--------|-----------|-----------|---|---|---|-----------|-----------|---|---|---|-----------|-----------|---|---|---|-----------|-----------|---|---|---|-----------|-----------|---|---|---|-----------|-----------|---|---|---|---|---|---|
|           |  |  | Bit                     | HEX                     |                         |        |        |        |        |        |           |           |   |   |   |           |           |   |   |   |           |           |   |   |   |           |           |   |   |   |           |           |   |   |   |           |           |   |   |   |   |   |   |
| 8         | Reserved   | Reserved   | 0                       |                         |                         |        |        |        |        |        |           |           |   |   |   |           |           |   |   |   |           |           |   |   |   |           |           |   |   |   |           |           |   |   |   |           |           |   |   |   |   |   |   |
| 7         |  |  | 0                       |                         |                         |        |        |        |        |        |           |           |   |   |   |           |           |   |   |   |           |           |   |   |   |           |           |   |   |   |           |           |   |   |   |           |           |   |   |   |   |   |   |
| 6         | Time Between GMT<br>(Greenwich Mean Time)  | <table border="1"> <thead> <tr> <th rowspan="2">Time between mean time</th> <th colspan="4">Greenwich mean time + T</th> </tr> <tr> <th>+00:00</th> <th>+00:30</th> <th>+01:00</th> <th>+01:30</th> </tr> </thead> <tbody> <tr> <td>Bit No. 6</td> <td>0</td> <td>0</td> <td>0</td> <td>0</td> </tr> <tr> <td>Bit No. 5</td> <td>0</td> <td>0</td> <td>0</td> <td>0</td> </tr> <tr> <td>Bit No. 4</td> <td>0</td> <td>0</td> <td>0</td> <td>0</td> </tr> <tr> <td>Bit No. 3</td> <td>0</td> <td>0</td> <td>0</td> <td>0</td> </tr> <tr> <td>Bit No. 2</td> <td>0</td> <td>0</td> <td>1</td> <td>1</td> </tr> <tr> <td>Bit No. 1</td> <td>0</td> <td>1</td> <td>0</td> <td>1</td> </tr> </tbody> </table> | Time between mean time  | Greenwich mean time + T |                         |        |        | +00:00 | +00:30 | +01:00 | +01:30    | Bit No. 6 | 0 | 0 | 0 | 0         | Bit No. 5 | 0 | 0 | 0 | 0         | Bit No. 4 | 0 | 0 | 0 | 0         | Bit No. 3 | 0 | 0 | 0 | 0         | Bit No. 2 | 0 | 0 | 1 | 1         | Bit No. 1 | 0 | 1 | 0 | 1 | 1 | 2 |
|           |  |  |                         | Time between mean time  | Greenwich mean time + T |        |        |        |        |        |           |           |   |   |   |           |           |   |   |   |           |           |   |   |   |           |           |   |   |   |           |           |   |   |   |           |           |   |   |   |   |   |   |
|           |  |  | +00:00                  |                         | +00:30                  | +01:00 | +01:30 |        |        |        |           |           |   |   |   |           |           |   |   |   |           |           |   |   |   |           |           |   |   |   |           |           |   |   |   |           |           |   |   |   |   |   |   |
|           |  |  | Bit No. 6               | 0                       | 0                       | 0      | 0      |        |        |        |           |           |   |   |   |           |           |   |   |   |           |           |   |   |   |           |           |   |   |   |           |           |   |   |   |           |           |   |   |   |   |   |   |
|           |  |  | Bit No. 5               | 0                       | 0                       | 0      | 0      |        |        |        |           |           |   |   |   |           |           |   |   |   |           |           |   |   |   |           |           |   |   |   |           |           |   |   |   |           |           |   |   |   |   |   |   |
|           |  |  | Bit No. 4               | 0                       | 0                       | 0      | 0      |        |        |        |           |           |   |   |   |           |           |   |   |   |           |           |   |   |   |           |           |   |   |   |           |           |   |   |   |           |           |   |   |   |   |   |   |
| Bit No. 3 |  | 0  | 0                       | 0                       | 0                       |        |        |        |        |        |           |           |   |   |   |           |           |   |   |   |           |           |   |   |   |           |           |   |   |   |           |           |   |   |   |           |           |   |   |   |   |   |   |
| Bit No. 2 |  | 0  | 0                       | 1                       | 1                       |        |        |        |        |        |           |           |   |   |   |           |           |   |   |   |           |           |   |   |   |           |           |   |   |   |           |           |   |   |   |           |           |   |   |   |   |   |   |
| Bit No. 1 |  | 0  | 1                       | 0                       | 1                       |        |        |        |        |        |           |           |   |   |   |           |           |   |   |   |           |           |   |   |   |           |           |   |   |   |           |           |   |   |   |           |           |   |   |   |   |   |   |
| 5         |  | <table border="1"> <thead> <tr> <th rowspan="2">Time between mean time</th> <th colspan="4">Greenwich mean time + T</th> </tr> <tr> <th>+02:00</th> <th>+02:30</th> <th>+03:00</th> <th>+03:30</th> </tr> </thead> <tbody> <tr> <td>Bit No. 6</td> <td>0</td> <td>0</td> <td>0</td> <td>0</td> </tr> <tr> <td>Bit No. 5</td> <td>0</td> <td>0</td> <td>0</td> <td>0</td> </tr> <tr> <td>Bit No. 4</td> <td>0</td> <td>0</td> <td>0</td> <td>0</td> </tr> <tr> <td>Bit No. 3</td> <td>1</td> <td>1</td> <td>1</td> <td>1</td> </tr> <tr> <td>Bit No. 2</td> <td>0</td> <td>0</td> <td>1</td> <td>1</td> </tr> <tr> <td>Bit No. 1</td> <td>0</td> <td>1</td> <td>0</td> <td>1</td> </tr> </tbody> </table> | Time between mean time  | Greenwich mean time + T |                         |        |        | +02:00 | +02:30 | +03:00 | +03:30    | Bit No. 6 | 0 | 0 | 0 | 0         | Bit No. 5 | 0 | 0 | 0 | 0         | Bit No. 4 | 0 | 0 | 0 | 0         | Bit No. 3 | 1 | 1 | 1 | 1         | Bit No. 2 | 0 | 0 | 1 | 1         | Bit No. 1 | 0 | 1 | 0 | 1 | 0 |   |
|           |  |  |                         | Time between mean time  | Greenwich mean time + T |        |        |        |        |        |           |           |   |   |   |           |           |   |   |   |           |           |   |   |   |           |           |   |   |   |           |           |   |   |   |           |           |   |   |   |   |   |   |
|           |  |  | +02:00                  |                         | +02:30                  | +03:00 | +03:30 |        |        |        |           |           |   |   |   |           |           |   |   |   |           |           |   |   |   |           |           |   |   |   |           |           |   |   |   |           |           |   |   |   |   |   |   |
|           |  |  | Bit No. 6               | 0                       | 0                       | 0      | 0      |        |        |        |           |           |   |   |   |           |           |   |   |   |           |           |   |   |   |           |           |   |   |   |           |           |   |   |   |           |           |   |   |   |   |   |   |
|           |  |  | Bit No. 5               | 0                       | 0                       | 0      | 0      |        |        |        |           |           |   |   |   |           |           |   |   |   |           |           |   |   |   |           |           |   |   |   |           |           |   |   |   |           |           |   |   |   |   |   |   |
|           |  |  | Bit No. 4               | 0                       | 0                       | 0      | 0      |        |        |        |           |           |   |   |   |           |           |   |   |   |           |           |   |   |   |           |           |   |   |   |           |           |   |   |   |           |           |   |   |   |   |   |   |
| Bit No. 3 |  | 1  | 1                       | 1                       | 1                       |        |        |        |        |        |           |           |   |   |   |           |           |   |   |   |           |           |   |   |   |           |           |   |   |   |           |           |   |   |   |           |           |   |   |   |   |   |   |
| Bit No. 2 |  | 0  | 0                       | 1                       | 1                       |        |        |        |        |        |           |           |   |   |   |           |           |   |   |   |           |           |   |   |   |           |           |   |   |   |           |           |   |   |   |           |           |   |   |   |   |   |   |
| Bit No. 1 |  | 0  | 1                       | 0                       | 1                       |        |        |        |        |        |           |           |   |   |   |           |           |   |   |   |           |           |   |   |   |           |           |   |   |   |           |           |   |   |   |           |           |   |   |   |   |   |   |
| 4         | <table border="1"> <thead> <tr> <th rowspan="2">Time between mean time</th> <th colspan="4">Greenwich mean time + T</th> </tr> <tr> <th>+04:00</th> <th>+04:30</th> <th>+05:00</th> <th>+05:30</th> </tr> </thead> <tbody> <tr> <td>Bit No. 6</td> <td>0</td> <td>0</td> <td>0</td> <td>0</td> </tr> <tr> <td>Bit No. 5</td> <td>0</td> <td>0</td> <td>0</td> <td>0</td> </tr> <tr> <td>Bit No. 4</td> <td>1</td> <td>1</td> <td>1</td> <td>1</td> </tr> <tr> <td>Bit No. 3</td> <td>0</td> <td>0</td> <td>0</td> <td>0</td> </tr> <tr> <td>Bit No. 2</td> <td>0</td> <td>0</td> <td>1</td> <td>1</td> </tr> <tr> <td>Bit No. 1</td> <td>0</td> <td>1</td> <td>0</td> <td>1</td> </tr> </tbody> </table> | Time between mean time   | Greenwich mean time + T |                         |                         |        | +04:00 | +04:30 | +05:00 | +05:30 | Bit No. 6 | 0         | 0 | 0 | 0 | Bit No. 5 | 0         | 0 | 0 | 0 | Bit No. 4 | 1         | 1 | 1 | 1 | Bit No. 3 | 0         | 0 | 0 | 0 | Bit No. 2 | 0         | 0 | 1 | 1 | Bit No. 1 | 0         | 1 | 0 | 1 | 1 |   |   |
|           |  |  | Time between mean time  | Greenwich mean time + T |                         |        |        |        |        |        |           |           |   |   |   |           |           |   |   |   |           |           |   |   |   |           |           |   |   |   |           |           |   |   |   |           |           |   |   |   |   |   |   |
|           |  | +04:00   |                         | +04:30                  | +05:00                  | +05:30 |        |        |        |        |           |           |   |   |   |           |           |   |   |   |           |           |   |   |   |           |           |   |   |   |           |           |   |   |   |           |           |   |   |   |   |   |   |
|           |  | Bit No. 6  | 0                       | 0                       | 0                       | 0      |        |        |        |        |           |           |   |   |   |           |           |   |   |   |           |           |   |   |   |           |           |   |   |   |           |           |   |   |   |           |           |   |   |   |   |   |   |
|           |  | Bit No. 5  | 0                       | 0                       | 0                       | 0      |        |        |        |        |           |           |   |   |   |           |           |   |   |   |           |           |   |   |   |           |           |   |   |   |           |           |   |   |   |           |           |   |   |   |   |   |   |
|           |  | Bit No. 4  | 1                       | 1                       | 1                       | 1      |        |        |        |        |           |           |   |   |   |           |           |   |   |   |           |           |   |   |   |           |           |   |   |   |           |           |   |   |   |           |           |   |   |   |   |   |   |
| Bit No. 3 | 0  | 0  | 0                       | 0                       |                         |        |        |        |        |        |           |           |   |   |   |           |           |   |   |   |           |           |   |   |   |           |           |   |   |   |           |           |   |   |   |           |           |   |   |   |   |   |   |
| Bit No. 2 | 0  | 0  | 1                       | 1                       |                         |        |        |        |        |        |           |           |   |   |   |           |           |   |   |   |           |           |   |   |   |           |           |   |   |   |           |           |   |   |   |           |           |   |   |   |   |   |   |
| Bit No. 1 | 0  | 1  | 0                       | 1                       |                         |        |        |        |        |        |           |           |   |   |   |           |           |   |   |   |           |           |   |   |   |           |           |   |   |   |           |           |   |   |   |           |           |   |   |   |   |   |   |
| 3         | <table border="1"> <thead> <tr> <th rowspan="2">Time between mean time</th> <th colspan="4">Greenwich mean time + T</th> </tr> <tr> <th>+06:00</th> <th>+06:30</th> <th>+07:00</th> <th>+07:30</th> </tr> </thead> <tbody> <tr> <td>Bit No. 6</td> <td>0</td> <td>0</td> <td>0</td> <td>0</td> </tr> <tr> <td>Bit No. 5</td> <td>0</td> <td>0</td> <td>0</td> <td>0</td> </tr> <tr> <td>Bit No. 4</td> <td>1</td> <td>1</td> <td>1</td> <td>1</td> </tr> <tr> <td>Bit No. 3</td> <td>0</td> <td>0</td> <td>0</td> <td>0</td> </tr> <tr> <td>Bit No. 2</td> <td>0</td> <td>0</td> <td>1</td> <td>1</td> </tr> <tr> <td>Bit No. 1</td> <td>0</td> <td>1</td> <td>0</td> <td>1</td> </tr> </tbody> </table> | Time between mean time   | Greenwich mean time + T |                         |                         |        | +06:00 | +06:30 | +07:00 | +07:30 | Bit No. 6 | 0         | 0 | 0 | 0 | Bit No. 5 | 0         | 0 | 0 | 0 | Bit No. 4 | 1         | 1 | 1 | 1 | Bit No. 3 | 0         | 0 | 0 | 0 | Bit No. 2 | 0         | 0 | 1 | 1 | Bit No. 1 | 0         | 1 | 0 | 1 | 0 |   |   |
|           |  |  | Time between mean time  | Greenwich mean time + T |                         |        |        |        |        |        |           |           |   |   |   |           |           |   |   |   |           |           |   |   |   |           |           |   |   |   |           |           |   |   |   |           |           |   |   |   |   |   |   |
|           |  | +06:00   |                         | +06:30                  | +07:00                  | +07:30 |        |        |        |        |           |           |   |   |   |           |           |   |   |   |           |           |   |   |   |           |           |   |   |   |           |           |   |   |   |           |           |   |   |   |   |   |   |
|           |  | Bit No. 6  | 0                       | 0                       | 0                       | 0      |        |        |        |        |           |           |   |   |   |           |           |   |   |   |           |           |   |   |   |           |           |   |   |   |           |           |   |   |   |           |           |   |   |   |   |   |   |
|           |  | Bit No. 5  | 0                       | 0                       | 0                       | 0      |        |        |        |        |           |           |   |   |   |           |           |   |   |   |           |           |   |   |   |           |           |   |   |   |           |           |   |   |   |           |           |   |   |   |   |   |   |
|           |  | Bit No. 4  | 1                       | 1                       | 1                       | 1      |        |        |        |        |           |           |   |   |   |           |           |   |   |   |           |           |   |   |   |           |           |   |   |   |           |           |   |   |   |           |           |   |   |   |   |   |   |
| Bit No. 3 | 0  | 0  | 0                       | 0                       |                         |        |        |        |        |        |           |           |   |   |   |           |           |   |   |   |           |           |   |   |   |           |           |   |   |   |           |           |   |   |   |           |           |   |   |   |   |   |   |
| Bit No. 2 | 0  | 0  | 1                       | 1                       |                         |        |        |        |        |        |           |           |   |   |   |           |           |   |   |   |           |           |   |   |   |           |           |   |   |   |           |           |   |   |   |           |           |   |   |   |   |   |   |
| Bit No. 1 | 0  | 1  | 0                       | 1                       |                         |        |        |        |        |        |           |           |   |   |   |           |           |   |   |   |           |           |   |   |   |           |           |   |   |   |           |           |   |   |   |           |           |   |   |   |   |   |   |
| 2         | <table border="1"> <thead> <tr> <th rowspan="2">Time between mean time</th> <th colspan="4">Greenwich mean time + T</th> </tr> <tr> <th>+08:00</th> <th>+08:30</th> <th>+09:00</th> <th>+09:30</th> </tr> </thead> <tbody> <tr> <td>Bit No. 6</td> <td>0</td> <td>0</td> <td>0</td> <td>0</td> </tr> <tr> <td>Bit No. 5</td> <td>0</td> <td>0</td> <td>0</td> <td>0</td> </tr> <tr> <td>Bit No. 4</td> <td>1</td> <td>1</td> <td>1</td> <td>1</td> </tr> <tr> <td>Bit No. 3</td> <td>1</td> <td>1</td> <td>1</td> <td>1</td> </tr> <tr> <td>Bit No. 2</td> <td>0</td> <td>0</td> <td>1</td> <td>1</td> </tr> <tr> <td>Bit No. 1</td> <td>0</td> <td>1</td> <td>0</td> <td>1</td> </tr> </tbody> </table> | Time between mean time   | Greenwich mean time + T |                         |                         |        | +08:00 | +08:30 | +09:00 | +09:30 | Bit No. 6 | 0         | 0 | 0 | 0 | Bit No. 5 | 0         | 0 | 0 | 0 | Bit No. 4 | 1         | 1 | 1 | 1 | Bit No. 3 | 1         | 1 | 1 | 1 | Bit No. 2 | 0         | 0 | 1 | 1 | Bit No. 1 | 0         | 1 | 0 | 1 | 1 | A |   |
|           |  |  | Time between mean time  | Greenwich mean time + T |                         |        |        |        |        |        |           |           |   |   |   |           |           |   |   |   |           |           |   |   |   |           |           |   |   |   |           |           |   |   |   |           |           |   |   |   |   |   |   |
|           |  | +08:00   |                         | +08:30                  | +09:00                  | +09:30 |        |        |        |        |           |           |   |   |   |           |           |   |   |   |           |           |   |   |   |           |           |   |   |   |           |           |   |   |   |           |           |   |   |   |   |   |   |
|           |  | Bit No. 6  | 0                       | 0                       | 0                       | 0      |        |        |        |        |           |           |   |   |   |           |           |   |   |   |           |           |   |   |   |           |           |   |   |   |           |           |   |   |   |           |           |   |   |   |   |   |   |
|           |  | Bit No. 5  | 0                       | 0                       | 0                       | 0      |        |        |        |        |           |           |   |   |   |           |           |   |   |   |           |           |   |   |   |           |           |   |   |   |           |           |   |   |   |           |           |   |   |   |   |   |   |
|           |  | Bit No. 4  | 1                       | 1                       | 1                       | 1      |        |        |        |        |           |           |   |   |   |           |           |   |   |   |           |           |   |   |   |           |           |   |   |   |           |           |   |   |   |           |           |   |   |   |   |   |   |
| Bit No. 3 | 1  | 1  | 1                       | 1                       |                         |        |        |        |        |        |           |           |   |   |   |           |           |   |   |   |           |           |   |   |   |           |           |   |   |   |           |           |   |   |   |           |           |   |   |   |   |   |   |
| Bit No. 2 | 0  | 0  | 1                       | 1                       |                         |        |        |        |        |        |           |           |   |   |   |           |           |   |   |   |           |           |   |   |   |           |           |   |   |   |           |           |   |   |   |           |           |   |   |   |   |   |   |
| Bit No. 1 | 0  | 1  | 0                       | 1                       |                         |        |        |        |        |        |           |           |   |   |   |           |           |   |   |   |           |           |   |   |   |           |           |   |   |   |           |           |   |   |   |           |           |   |   |   |   |   |   |
| 1         | <table border="1"> <thead> <tr> <th rowspan="2">Time between mean time</th> <th colspan="4">Greenwich mean time + T</th> </tr> <tr> <th>+08:00</th> <th>+08:30</th> <th>+09:00</th> <th>+09:30</th> </tr> </thead> <tbody> <tr> <td>Bit No. 6</td> <td>0</td> <td>0</td> <td>0</td> <td>0</td> </tr> <tr> <td>Bit No. 5</td> <td>1</td> <td>1</td> <td>1</td> <td>1</td> </tr> <tr> <td>Bit No. 4</td> <td>0</td> <td>0</td> <td>0</td> <td>0</td> </tr> <tr> <td>Bit No. 3</td> <td>0</td> <td>0</td> <td>0</td> <td>0</td> </tr> <tr> <td>Bit No. 2</td> <td>0</td> <td>0</td> <td>1</td> <td>1</td> </tr> <tr> <td>Bit No. 1</td> <td>0</td> <td>1</td> <td>0</td> <td>1</td> </tr> </tbody> </table> | Time between mean time   | Greenwich mean time + T |                         |                         |        | +08:00 | +08:30 | +09:00 | +09:30 | Bit No. 6 | 0         | 0 | 0 | 0 | Bit No. 5 | 1         | 1 | 1 | 1 | Bit No. 4 | 0         | 0 | 0 | 0 | Bit No. 3 | 0         | 0 | 0 | 0 | Bit No. 2 | 0         | 0 | 1 | 1 | Bit No. 1 | 0         | 1 | 0 | 1 | 0 |   |   |
|           |  |  | Time between mean time  | Greenwich mean time + T |                         |        |        |        |        |        |           |           |   |   |   |           |           |   |   |   |           |           |   |   |   |           |           |   |   |   |           |           |   |   |   |           |           |   |   |   |   |   |   |
|           |  | +08:00   |                         | +08:30                  | +09:00                  | +09:30 |        |        |        |        |           |           |   |   |   |           |           |   |   |   |           |           |   |   |   |           |           |   |   |   |           |           |   |   |   |           |           |   |   |   |   |   |   |
|           |  | Bit No. 6  | 0                       | 0                       | 0                       | 0      |        |        |        |        |           |           |   |   |   |           |           |   |   |   |           |           |   |   |   |           |           |   |   |   |           |           |   |   |   |           |           |   |   |   |   |   |   |
|           |  | Bit No. 5  | 1                       | 1                       | 1                       | 1      |        |        |        |        |           |           |   |   |   |           |           |   |   |   |           |           |   |   |   |           |           |   |   |   |           |           |   |   |   |           |           |   |   |   |   |   |   |
|           |  | Bit No. 4  | 0                       | 0                       | 0                       | 0      |        |        |        |        |           |           |   |   |   |           |           |   |   |   |           |           |   |   |   |           |           |   |   |   |           |           |   |   |   |           |           |   |   |   |   |   |   |
| Bit No. 3 | 0  | 0  | 0                       | 0                       |                         |        |        |        |        |        |           |           |   |   |   |           |           |   |   |   |           |           |   |   |   |           |           |   |   |   |           |           |   |   |   |           |           |   |   |   |   |   |   |
| Bit No. 2 | 0  | 0  | 1                       | 1                       |                         |        |        |        |        |        |           |           |   |   |   |           |           |   |   |   |           |           |   |   |   |           |           |   |   |   |           |           |   |   |   |           |           |   |   |   |   |   |   |
| Bit No. 1 | 0  | 1  | 0                       | 1                       |                         |        |        |        |        |        |           |           |   |   |   |           |           |   |   |   |           |           |   |   |   |           |           |   |   |   |           |           |   |   |   |           |           |   |   |   |   |   |   |

bizhub C25

ADJUSTMENT / SETTING

14.3.62 SOFT SWITCH: #59 (Part 2)

bizhub C25

ADJUSTMENT / SETTING

| Bit No. | Designation                            | Function                | Initial setting         |        |        |        |   |   |
|---------|--|-------------------------|-------------------------|--------|--------|--------|---|---|
|         |  |                         | Bit                     | HEX    |        |        |   |   |
| 6       | Time Between GMT (Greenwich Mean Time) | Time between mean time  | Greenwich mean time + T |        |        |        | 1 | A |
|         |  |                         | +10:00                  | +10:30 | +11:00 | +11:30 |   |   |
|         |  | Bit No. 6               | 0                       | 0      | 0      | 0      |   |   |
|         |  | Bit No. 5               | 1                       | 1      | 1      | 1      |   |   |
|         |  | Bit No. 4               | 0                       | 0      | 0      | 0      |   |   |
|         |  | Bit No. 3               | 1                       | 1      | 1      | 1      |   |   |
| 5       |  | Time between mean time  | Greenwich mean time + T |        |        |        | 0 |   |
|         |  |                         | +12:00                  | -00:30 | -01:00 | -01:30 |   |   |
|         |  | Bit No. 6               | 0                       | 1      | 1      | 1      |   |   |
|         |  | Bit No. 5               | 1                       | 0      | 0      | 0      |   |   |
|         |  | Bit No. 4               | 1                       | 0      | 0      | 0      |   |   |
|         |  | Bit No. 3               | 0                       | 0      | 0      | 0      |   |   |
| 4       |  | Time between mean time  | Greenwich mean time + T |        |        |        | 1 |   |
|         |  |                         | -02:00                  | -02:30 | -03:00 | -03:30 |   |   |
|         |  | Bit No. 6               | 1                       | 1      | 1      | 1      |   |   |
|         |  | Bit No. 5               | 0                       | 0      | 0      | 0      |   |   |
|         |  | Bit No. 4               | 0                       | 0      | 0      | 0      |   |   |
|         |  | Bit No. 3               | 1                       | 1      | 1      | 1      |   |   |
| 3       |  | Time between mean time  | Greenwich mean time + T |        |        |        | 0 |   |
|         |  |                         | -04:00                  | -04:30 | -05:00 | -05:30 |   |   |
|         |  | Bit No. 6               | 1                       | 1      | 1      | 1      |   |   |
|         |  | Bit No. 5               | 0                       | 0      | 0      | 0      |   |   |
|         |  | Bit No. 4               | 1                       | 1      | 1      | 1      |   |   |
|         |  | Bit No. 3               | 0                       | 0      | 0      | 0      |   |   |
| 2       | Time between mean time                 | Greenwich mean time + T |                         |        |        | 1      |   |   |
|         |  | -06:00                  | -06:30                  | -07:00 | -07:30 |        |   |   |
|         | Bit No. 6                              | 1                       | 1                       | 1      | 1      |        |   |   |
|         | Bit No. 5                              | 0                       | 0                       | 0      | 0      |        |   |   |
|         | Bit No. 4                              | 1                       | 1                       | 1      | 1      |        |   |   |
|         | Bit No. 3                              | 1                       | 1                       | 1      | 1      |        |   |   |
| 1       | Time between mean time                 | Greenwich mean time + T |                         |        |        | 0      |   |   |
|         |  | -06:00                  | -06:30                  | -07:00 | -07:30 |        |   |   |
|         | Bit No. 6                              | 1                       | 1                       | 1      | 1      |        |   |   |
|         | Bit No. 5                              | 0                       | 0                       | 0      | 0      |        |   |   |
|         | Bit No. 4                              | 1                       | 1                       | 1      | 1      |        |   |   |
|         | Bit No. 3                              | 1                       | 1                       | 1      | 1      |        |   |   |
|         | Bit No. 2                              | 0                       | 0                       | 1      | 1      |        |   |   |
|         | Bit No. 1                              | 0                       | 1                       | 0      | 1      |        |   |   |

**14.3.63 SOFT SWITCH: #59 (Part 3)**

| Bit No.   | Designation                            | Function               | Initial setting         |                         |          |        |        |   |   |   |   |   |   |  |
|-----------|--|------------------------|-------------------------|-------------------------|----------|--------|--------|---|---|---|---|---|---|--|
|           |  |                        | Bit                     | HEX                     |          |        |        |   |   |   |   |   |   |  |
| 6         | Time Between GMT (Greenwich Mean Time) | Time between mean time | Greenwich mean time + T |                         |          |        | 1      | A |   |   |   |   |   |  |
|           |  |                        | -08:00                  | -08:30                  | -09:00   | -09:30 |        |   |   |   |   |   |   |  |
|           |  | Bit No. 6              | 1                       | 1                       | 1        | 1      |        |   |   |   |   |   |   |  |
|           |  | Bit No. 5              | 1                       | 1                       | 1        | 1      |        |   |   |   |   |   |   |  |
|           |  | 5                      | Bit No. 4               | 0                       | 0        | 0      |        |   | 0 | 0 |   |   |   |  |
|           |  |                        | Bit No. 3               | 0                       | 0        | 0      |        |   | 0 |   |   |   |   |  |
| Bit No. 2 |  |                        | 0                       | 0                       | 1        | 1      |        |   |   |   |   |   |   |  |
| Bit No. 1 |  |                        | 0                       | 1                       | 0        | 1      |        |   |   |   |   |   |   |  |
| 4         |  |                        | Time between mean time  | Greenwich mean time + T |          |        |        |   | 1 |   |   |   |   |  |
|           |  |                        |                         | -10:00                  | -10:30   | -11:00 | -11:30 |   |   |   |   |   |   |  |
|           |  | Bit No. 6              | 1                       | 1                       | 1        | 1      |        |   |   |   |   |   |   |  |
|           |  | Bit No. 5              | 1                       | 1                       | 1        | 1      |        |   |   |   |   |   |   |  |
|           |  | 3                      | Bit No. 4               | 0                       | 0        | 0      | 0      |   |   | 0 |   |   |   |  |
|           |  |                        | Bit No. 3               | 1                       | 1        | 1      | 1      |   |   |   |   |   |   |  |
| Bit No. 2 |  |                        | 0                       | 0                       | 1        | 1      |        |   |   |   |   |   |   |  |
| Bit No. 1 |  |                        | 0                       | 1                       | 0        | 1      |        |   |   |   |   |   |   |  |
| 2         |  |                        | Time between mean time  | -12:00                  | Reserved |        |        |   |   |   |   | 1 |   |  |
|           |  |                        | Bit No. 6               | 1                       | 1        | 1      | 1      |   | 1 |   | 1 |   | 1 |  |
|           | Bit No. 5                              | 1                      | 1                       | 1                       | 1        | 1      | 1      | 1 |   |   |   |   |   |  |
|           | Bit No. 4                              | 1                      | 1                       | 1                       | 1        | 1      | 1      | 1 |   |   |   |   |   |  |
|           | 1                                      | Bit No. 3              | 0                       | 0                       | 0        | 0      | 1      | 1 | 1 | 1 | 0 |   |   |  |
|           |  | Bit No. 2              | 0                       | 0                       | 1        | 1      | 0      | 0 | 1 | 1 |   |   |   |  |
| Bit No. 1 |  | 0                      | 1                       | 0                       | 1        | 0      | 1      | 0 | 1 |   |   |   |   |  |

- Bit 6-1: This value must be entered correctly, or E-mail headers will be wrong. A good reference web site may be found at <http://greenwichmeantime.com>  
Available ranges are:12 to -12, in half hour increments. The default setting was depend on each PTT.

bizhub C25

ADJUSTMENT / SETTING

**14.3.64 SOFT SWITCH: #60**

| Bit No. | Designation                                     | Function                          | Initial setting |     |
|---------|---|-----------------------------------|-----------------|-----|
|         |   |                                   | Bit             | HEX |
| 8       | Reserved  | Reserved                          | 0               | 0   |
| 7       |   |                                   | 0               |     |
| 6       | Quick memory TX                                 | 0: Ineffective                    | 0               |     |
|         |   | 1: Effective                      |                 |     |
| 5       | Reserved  | Reserved                          | 0               |     |
| 4       |   |                                   | 0               |     |
| 3       |   |                                   | 0               |     |
| 2       | Off hook alarm after communication              | 0: Alarm                          | 0               |     |
|         |   | 1: Not alarm after communication  |                 |     |
| 1       | Display destination selection within TX phase C | 0: Local name or telephone number | 0               |     |
|         |   | 1: Remote telephone number        |                 |     |

**14.3.65 SOFT SWITCH: #61**

| Bit No.      | Designation  | Function   | Initial setting |     |    |    |    |    |    |    |           |           |   |   |   |   |   |   |   |           |           |   |   |   |   |   |   |   |           |           |   |   |   |   |   |   |   |           |           |   |   |   |   |   |   |   |   |   |   |
|--------------|--|--|-----------------|-----|----|----|----|----|----|----|-----------|-----------|---|---|---|---|---|---|---|-----------|-----------|---|---|---|---|---|---|---|-----------|-----------|---|---|---|---|---|---|---|-----------|-----------|---|---|---|---|---|---|---|---|---|---|
|              |  |  | Bit             | HEX |    |    |    |    |    |    |           |           |   |   |   |   |   |   |   |           |           |   |   |   |   |   |   |   |           |           |   |   |   |   |   |   |   |           |           |   |   |   |   |   |   |   |   |   |   |
| 8            | Reserved   | Reserved   | 0               | 0   |    |    |    |    |    |    |           |           |   |   |   |   |   |   |   |           |           |   |   |   |   |   |   |   |           |           |   |   |   |   |   |   |   |           |           |   |   |   |   |   |   |   |   |   |   |
| 7            |  |  | 0               |     |    |    |    |    |    |    |           |           |   |   |   |   |   |   |   |           |           |   |   |   |   |   |   |   |           |           |   |   |   |   |   |   |   |           |           |   |   |   |   |   |   |   |   |   |   |
| 6            |  |  | 0               |     |    |    |    |    |    |    |           |           |   |   |   |   |   |   |   |           |           |   |   |   |   |   |   |   |           |           |   |   |   |   |   |   |   |           |           |   |   |   |   |   |   |   |   |   |   |
| 5            |  |  | 0               |     |    |    |    |    |    |    |           |           |   |   |   |   |   |   |   |           |           |   |   |   |   |   |   |   |           |           |   |   |   |   |   |   |   |           |           |   |   |   |   |   |   |   |   |   |   |
| 4            | Max. No. of ring   | <table border="1"> <tr> <td>No. of rings</td> <td>1</td><td>2</td><td>3</td><td>4</td><td>5</td><td>6</td><td>7</td><td>8</td> </tr> <tr> <td>Bit No. 4</td> <td>0</td><td>0</td><td>0</td><td>0</td><td>0</td><td>0</td><td>0</td><td>0</td> </tr> <tr> <td>Bit No. 3</td> <td>0</td><td>0</td><td>0</td><td>0</td><td>1</td><td>1</td><td>1</td><td>1</td> </tr> <tr> <td>Bit No. 2</td> <td>0</td><td>0</td><td>1</td><td>1</td><td>0</td><td>0</td><td>1</td><td>1</td> </tr> <tr> <td>Bit No. 1</td> <td>0</td><td>1</td><td>0</td><td>1</td><td>0</td><td>1</td><td>0</td><td>1</td> </tr> </table>        | No. of rings    | 1   | 2  | 3  | 4  | 5  | 6  | 7  | 8         | Bit No. 4 | 0 | 0 | 0 | 0 | 0 | 0 | 0 | 0         | Bit No. 3 | 0 | 0 | 0 | 0 | 1 | 1 | 1 | 1         | Bit No. 2 | 0 | 0 | 1 | 1 | 0 | 0 | 1 | 1         | Bit No. 1 | 0 | 1 | 0 | 1 | 0 | 1 | 0 | 1 | 1 | F |
| No. of rings |  | 1  | 2               | 3   | 4  | 5  | 6  | 7  | 8  |    |           |           |   |   |   |   |   |   |   |           |           |   |   |   |   |   |   |   |           |           |   |   |   |   |   |   |   |           |           |   |   |   |   |   |   |   |   |   |   |
| Bit No. 4    |  | 0  | 0               | 0   | 0  | 0  | 0  | 0  | 0  |    |           |           |   |   |   |   |   |   |   |           |           |   |   |   |   |   |   |   |           |           |   |   |   |   |   |   |   |           |           |   |   |   |   |   |   |   |   |   |   |
| Bit No. 3    |  | 0  | 0               | 0   | 0  | 1  | 1  | 1  | 1  |    |           |           |   |   |   |   |   |   |   |           |           |   |   |   |   |   |   |   |           |           |   |   |   |   |   |   |   |           |           |   |   |   |   |   |   |   |   |   |   |
| Bit No. 2    |  | 0  | 0               | 1   | 1  | 0  | 0  | 1  | 1  |    |           |           |   |   |   |   |   |   |   |           |           |   |   |   |   |   |   |   |           |           |   |   |   |   |   |   |   |           |           |   |   |   |   |   |   |   |   |   |   |
| Bit No. 1    |  | 0  | 1               | 0   | 1  | 0  | 1  | 0  | 1  |    |           |           |   |   |   |   |   |   |   |           |           |   |   |   |   |   |   |   |           |           |   |   |   |   |   |   |   |           |           |   |   |   |   |   |   |   |   |   |   |
| 3            |  | <table border="1"> <tr> <td>No. of rings</td> <td>9</td><td>10</td><td>11</td><td>12</td><td>13</td><td>14</td><td>15</td><td>16</td> </tr> <tr> <td>Bit No. 4</td> <td>1</td><td>1</td><td>1</td><td>1</td><td>1</td><td>1</td><td>1</td><td>1</td> </tr> <tr> <td>Bit No. 3</td> <td>0</td><td>0</td><td>0</td><td>0</td><td>1</td><td>1</td><td>1</td><td>1</td> </tr> <tr> <td>Bit No. 2</td> <td>0</td><td>0</td><td>1</td><td>1</td><td>0</td><td>0</td><td>1</td><td>1</td> </tr> <tr> <td>Bit No. 1</td> <td>0</td><td>1</td><td>0</td><td>1</td><td>0</td><td>1</td><td>0</td><td>1</td> </tr> </table> | No. of rings    | 9   | 10 | 11 | 12 | 13 | 14 | 15 | 16        | Bit No. 4 | 1 | 1 | 1 | 1 | 1 | 1 | 1 | 1         | Bit No. 3 | 0 | 0 | 0 | 0 | 1 | 1 | 1 | 1         | Bit No. 2 | 0 | 0 | 1 | 1 | 0 | 0 | 1 | 1         | Bit No. 1 | 0 | 1 | 0 | 1 | 0 | 1 | 0 | 1 | 1 |   |
| No. of rings |  | 9  | 10              | 11  | 12 | 13 | 14 | 15 | 16 |    |           |           |   |   |   |   |   |   |   |           |           |   |   |   |   |   |   |   |           |           |   |   |   |   |   |   |   |           |           |   |   |   |   |   |   |   |   |   |   |
| Bit No. 4    |  | 1  | 1               | 1   | 1  | 1  | 1  | 1  | 1  |    |           |           |   |   |   |   |   |   |   |           |           |   |   |   |   |   |   |   |           |           |   |   |   |   |   |   |   |           |           |   |   |   |   |   |   |   |   |   |   |
| Bit No. 3    |  | 0  | 0               | 0   | 0  | 1  | 1  | 1  | 1  |    |           |           |   |   |   |   |   |   |   |           |           |   |   |   |   |   |   |   |           |           |   |   |   |   |   |   |   |           |           |   |   |   |   |   |   |   |   |   |   |
| Bit No. 2    |  | 0  | 0               | 1   | 1  | 0  | 0  | 1  | 1  |    |           |           |   |   |   |   |   |   |   |           |           |   |   |   |   |   |   |   |           |           |   |   |   |   |   |   |   |           |           |   |   |   |   |   |   |   |   |   |   |
| Bit No. 1    |  | 0  | 1               | 0   | 1  | 0  | 1  | 0  | 1  |    |           |           |   |   |   |   |   |   |   |           |           |   |   |   |   |   |   |   |           |           |   |   |   |   |   |   |   |           |           |   |   |   |   |   |   |   |   |   |   |
| 2            | <table border="1"> <tr> <td>No. of rings</td> <td>9</td><td>10</td><td>11</td><td>12</td><td>13</td><td>14</td><td>15</td><td>16</td> </tr> <tr> <td>Bit No. 4</td> <td>1</td><td>1</td><td>1</td><td>1</td><td>1</td><td>1</td><td>1</td><td>1</td> </tr> <tr> <td>Bit No. 3</td> <td>0</td><td>0</td><td>0</td><td>0</td><td>1</td><td>1</td><td>1</td><td>1</td> </tr> <tr> <td>Bit No. 2</td> <td>0</td><td>0</td><td>1</td><td>1</td><td>0</td><td>0</td><td>1</td><td>1</td> </tr> <tr> <td>Bit No. 1</td> <td>0</td><td>1</td><td>0</td><td>1</td><td>0</td><td>1</td><td>0</td><td>1</td> </tr> </table> | No. of rings   | 9               | 10  | 11 | 12 | 13 | 14 | 15 | 16 | Bit No. 4 | 1         | 1 | 1 | 1 | 1 | 1 | 1 | 1 | Bit No. 3 | 0         | 0 | 0 | 0 | 1 | 1 | 1 | 1 | Bit No. 2 | 0         | 0 | 1 | 1 | 0 | 0 | 1 | 1 | Bit No. 1 | 0         | 1 | 0 | 1 | 0 | 1 | 0 | 1 | 1 |   |   |
| No. of rings | 9  | 10   | 11              | 12  | 13 | 14 | 15 | 16 |    |    |           |           |   |   |   |   |   |   |   |           |           |   |   |   |   |   |   |   |           |           |   |   |   |   |   |   |   |           |           |   |   |   |   |   |   |   |   |   |   |
| Bit No. 4    | 1  | 1  | 1               | 1   | 1  | 1  | 1  | 1  |    |    |           |           |   |   |   |   |   |   |   |           |           |   |   |   |   |   |   |   |           |           |   |   |   |   |   |   |   |           |           |   |   |   |   |   |   |   |   |   |   |
| Bit No. 3    | 0  | 0  | 0               | 0   | 1  | 1  | 1  | 1  |    |    |           |           |   |   |   |   |   |   |   |           |           |   |   |   |   |   |   |   |           |           |   |   |   |   |   |   |   |           |           |   |   |   |   |   |   |   |   |   |   |
| Bit No. 2    | 0  | 0  | 1               | 1   | 0  | 0  | 1  | 1  |    |    |           |           |   |   |   |   |   |   |   |           |           |   |   |   |   |   |   |   |           |           |   |   |   |   |   |   |   |           |           |   |   |   |   |   |   |   |   |   |   |
| Bit No. 1    | 0  | 1  | 0               | 1   | 0  | 1  | 0  | 1  |    |    |           |           |   |   |   |   |   |   |   |           |           |   |   |   |   |   |   |   |           |           |   |   |   |   |   |   |   |           |           |   |   |   |   |   |   |   |   |   |   |
| 1            | <table border="1"> <tr> <td>No. of rings</td> <td>9</td><td>10</td><td>11</td><td>12</td><td>13</td><td>14</td><td>15</td><td>16</td> </tr> <tr> <td>Bit No. 4</td> <td>1</td><td>1</td><td>1</td><td>1</td><td>1</td><td>1</td><td>1</td><td>1</td> </tr> <tr> <td>Bit No. 3</td> <td>0</td><td>0</td><td>0</td><td>0</td><td>1</td><td>1</td><td>1</td><td>1</td> </tr> <tr> <td>Bit No. 2</td> <td>0</td><td>0</td><td>1</td><td>1</td><td>0</td><td>0</td><td>1</td><td>1</td> </tr> <tr> <td>Bit No. 1</td> <td>0</td><td>1</td><td>0</td><td>1</td><td>0</td><td>1</td><td>0</td><td>1</td> </tr> </table> | No. of rings   | 9               | 10  | 11 | 12 | 13 | 14 | 15 | 16 | Bit No. 4 | 1         | 1 | 1 | 1 | 1 | 1 | 1 | 1 | Bit No. 3 | 0         | 0 | 0 | 0 | 1 | 1 | 1 | 1 | Bit No. 2 | 0         | 0 | 1 | 1 | 0 | 0 | 1 | 1 | Bit No. 1 | 0         | 1 | 0 | 1 | 0 | 1 | 0 | 1 | 1 |   |   |
| No. of rings | 9  | 10   | 11              | 12  | 13 | 14 | 15 | 16 |    |    |           |           |   |   |   |   |   |   |   |           |           |   |   |   |   |   |   |   |           |           |   |   |   |   |   |   |   |           |           |   |   |   |   |   |   |   |   |   |   |
| Bit No. 4    | 1  | 1  | 1               | 1   | 1  | 1  | 1  | 1  |    |    |           |           |   |   |   |   |   |   |   |           |           |   |   |   |   |   |   |   |           |           |   |   |   |   |   |   |   |           |           |   |   |   |   |   |   |   |   |   |   |
| Bit No. 3    | 0  | 0  | 0               | 0   | 1  | 1  | 1  | 1  |    |    |           |           |   |   |   |   |   |   |   |           |           |   |   |   |   |   |   |   |           |           |   |   |   |   |   |   |   |           |           |   |   |   |   |   |   |   |   |   |   |
| Bit No. 2    | 0  | 0  | 1               | 1   | 0  | 0  | 1  | 1  |    |    |           |           |   |   |   |   |   |   |   |           |           |   |   |   |   |   |   |   |           |           |   |   |   |   |   |   |   |           |           |   |   |   |   |   |   |   |   |   |   |
| Bit No. 1    | 0  | 1  | 0               | 1   | 0  | 1  | 0  | 1  |    |    |           |           |   |   |   |   |   |   |   |           |           |   |   |   |   |   |   |   |           |           |   |   |   |   |   |   |   |           |           |   |   |   |   |   |   |   |   |   |   |

bizhub C25

ADJUSTMENT / SETTING



**14.3.66 SOFT SWITCH: #62**

| Bit No. | Designation | Function | Initial setting |     |
|---------|-------------|----------|-----------------|-----|
|         |             |          | Bit             | HEX |
| 8       | Reserved    | Reserved | 0               | 0   |
| 7       |             |          | 0               |     |
| 6       |             |          | 0               |     |
| 5       |             |          | 0               |     |
| 4       |             |          | 0               | 0   |
| 3       |             |          | 0               |     |
| 2       |             |          | 0               |     |
| 1       |             |          | 0               |     |

**14.3.67 SOFT SWITCH: #63**

| Bit No. | Designation                    | Function  | Initial setting                |     |
|---------|--------------------------------|---|--------------------------------|-----|
|         |                                |   | Bit                            | HEX |
| 8       | "#" key definition in PBX mode | 0: "#" is internal key, machine (PSTN) default is external<br>1: "#" is external key, machine (PBX) default is internal | 1                              | 8   |
| 7       | Reserved                       | Reserved  | 0                              |     |
| 6       |                                |   | 0                              |     |
| 5       |                                |   | 0                              |     |
| 4       |                                |   | 0                              |     |
| 3       | 0                              | 0   |                                |     |
| 2       | Fax TX image adjust            |   | 0: Normal<br>1: Special handle | 0   |
| 1       | TX result report with image    |   | 0: Yes<br>1: No                | 0   |

- Bit 8: If this bit set to 1, the # key is use to access PSTN line after dial the pre-fix number. If this bit set to 0, the # key is use to access PBX line instead of PSTN line.
- Bit 2: When this bit sets to "1", "Thin line" image with TEXT mode becomes more clear.
- Bit 1: This bit set to "1", the first page image will not append at the bottom of error report or OK report.

bizhub C25

ADJUSTMENT / SETTING

**14.3.68 SOFT SWITCH: #64**

| Bit No. | Designation  | Function | Initial setting |     |
|---------|--|----------|-----------------|-----|
|         |  |          | Bit             | HEX |
| 8       | Reserved   | Reserved | 0               | 0   |
| 7       |  |          | 0               |     |
| 6       | Print RX error report in RX side if no any FAX signal detected | 0: No    | 0               |     |
|         |  | 1: Yes   |                 |     |
| 5       | 10 PPS & 20 PPS selectable by user                             | 0: No    | 0               |     |
|         |  | 1: Yes   |                 |     |
| 4       | Reserved   | Reserved | 0               |     |
| 3       |  |          | 0               |     |
| 2       |  |          | 0               |     |
| 1       |  |          | 0               |     |

- Bit 6: If this bit set to 1, machine do not print put RX error report if no detect any FAX signal from the other party.
- Bit 5: Can not open by user to change PPS if this bit set to "0".